

English

Čeština

Dansk

Nederland

Suomi

Français

Deutsch

Italiano

日本語

Norsk

Polski

Português

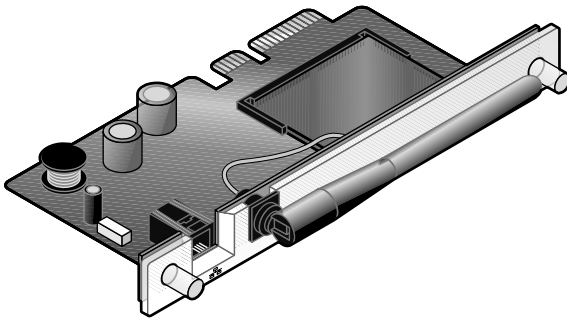
Русский

Español

Svenska

Dell™ All-In-One Printer 966

# Wireless/Ethernet Card Installation Guide




[www.dell.com/supplies](http://www.dell.com/supplies) | [support.dell.com](http://support.dell.com)




# Installing and Configuring the Dell™ Wireless/Ethernet Card

Tools required: a Phillips screwdriver


## Notes and Cautions

 **NOTE:** A NOTE indicates important information that helps you make better use of your printer.

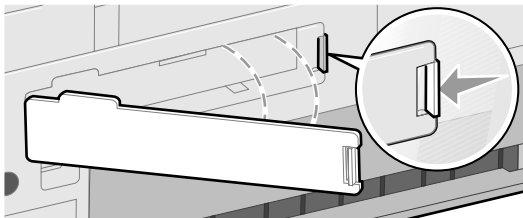
 **CAUTION:** A CAUTION indicates a potential for property damage, personal injury, or death.

## Installing the Card

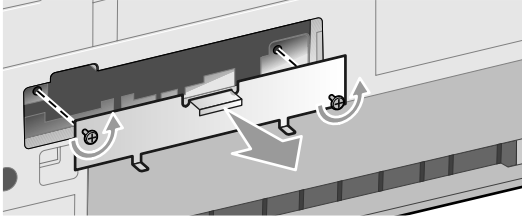
- 1 Turn off your printer, and then unplug the power cable from the wall.

 **CAUTION:** Failure to unplug the printer can cause damage to your printer and card. Make sure the power is off and the power cable is unplugged from the wall before proceeding.

- 2 Remove the back cover by pushing the tab to the left and then pulling the cover away from the printer.



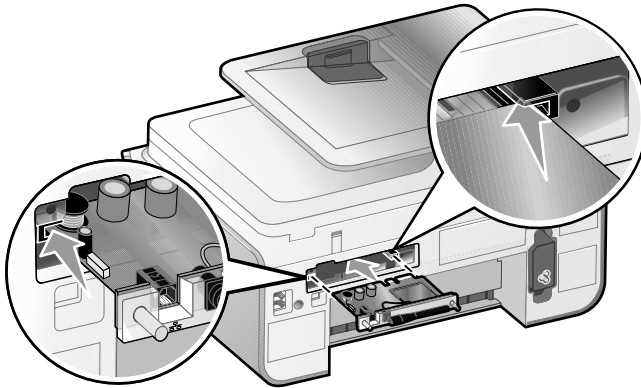
- 3 Remove the screws and the cover plate.



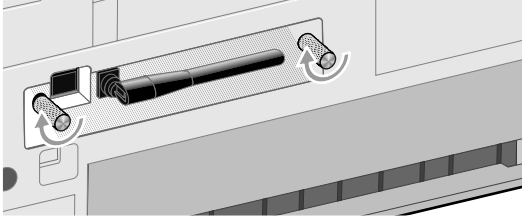
**⚠ CAUTION:** Wireless cards are easily damaged by static electricity. Touch something metal such as the printer frame before you touch the card.

- 4 Unpack the card. Save the packaging materials.
- 5 Align the edges of the card into the guides on the left and right, and then slide the card into the printer.

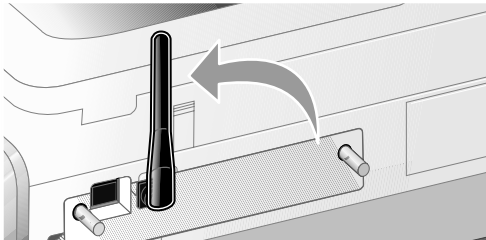
**✎ NOTE:** To verify that your card is aligned properly, make sure the Ethernet port is located on the left side of the card.



- 6 Tighten the thumb screws on the left and right to secure the card.




- 7 Rotate the antenna until it points up.



You are now ready to configure your card to work on your wireless or Ethernet network.

## Setting up the Card to Work on a Wireless Network

- 1 Connect the power cord to the wall, and then press the **Power** button .
- 2 Connect your printer to your computer using a USB cable (sold separately).  
If any **New Hardware Wizard** screens appear, click **Cancel**.
- 3 Insert the *Drivers and Utilities* CD that came with your printer. The CD launches automatically.




**NOTE:** If you do not have your *Drivers and Utilities* CD, you can download the appropriate software from [support.dell.com](http://support.dell.com).

- 4 Select **Network Installation**, and then click **Next**.
- 5 Click **Agree** to accept the license agreement.
- 6 Click **Setup Wireless**.
- 7 Select **I want to configure my Internal Wireless Network Adapter**.
- 8 Follow the instructions on the screen to configure the adapter to work with your wireless network.

For additional information on configuring your card, refer to the *User's Guide* located in the **Dell Printers** folder of your computer's **Start** menu or on the CD that came with your printer.

## Setting up the Card to Work on an Ethernet Network

- 1 Connect your printer to your network using an Ethernet cable (sold separately).
- 2 Connect the power cord to the wall, and then press the **Power** button .
- 3 Insert the *Drivers and Utilities* CD that came with your printer. The CD launches automatically.



**NOTE:** If you do not have your *Drivers and Utilities* CD, you can download the appropriate software from [support.dell.com](http://support.dell.com).

- 4 Select **Network Installation**, and then click **Next**.
- 5 Click **Agree** to accept the license agreement.
- 6 Your printer should appear in the printer list, and it should already be selected. Click **Next** to begin the installation process.

If your printer is not shown, you may need to manually configure your card's IP address to work with your network.

For additional information on configuring your card, refer to the *User's Guide* located in the **Dell Printers** folder of your computer's **Start** menu or on the CD that came with your printer.

---

**Information in this document is subject to change without notice.**

**© 2006 Dell Inc. All rights reserved.**

Reproduction in any manner whatsoever without the written permission of Dell Inc. is strictly forbidden.

Trademarks used in this text: *Dell* and the *DELL* logo are trademarks of Dell Inc.

Other trademarks and trade names may be used in this document to refer to either the entities claiming the marks and names or their products. Dell Inc. disclaims any proprietary interest in trademarks and trade names other than its own.

---

Printed in China  
May 2006

L. P/N 13A1711  
E.C. 3A0631

