

Model: K030

Antenna description:

This Monopole is optimized and used in the Handset unit. This antenna is directly soldered to the A0_WIRE RF output in the main PCB.

Model Number	Description
K030_ANT0	1.9GHZ Monopole Antenna

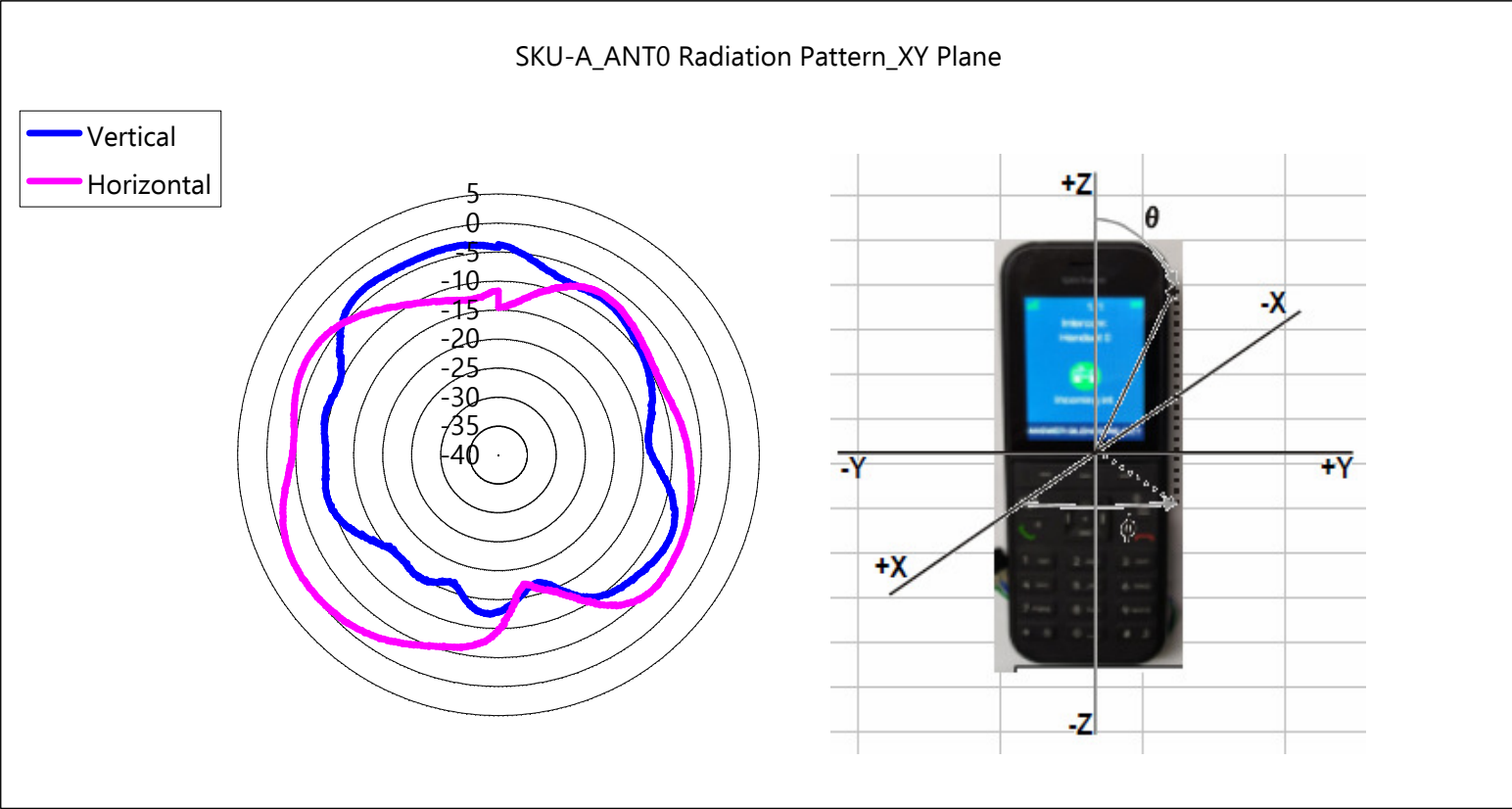
Specification:

Operation Frequency Range	1921.536 to 1928.448 MHZ
Maximum Gain	0 dBi
Type	Monopole Antenna
Operation bandwidth	70MHz
Nominal Impedance	~50 ohms
Manufacturer	Vtech Telecommunications Ltd
Manufacturer address	23/F, Tai Ping Industrial Centre, Blk1, 57 Ting Kok Road, Tai Po, Hong Kong
Model number	ANT-SKU-A-P-DE-0

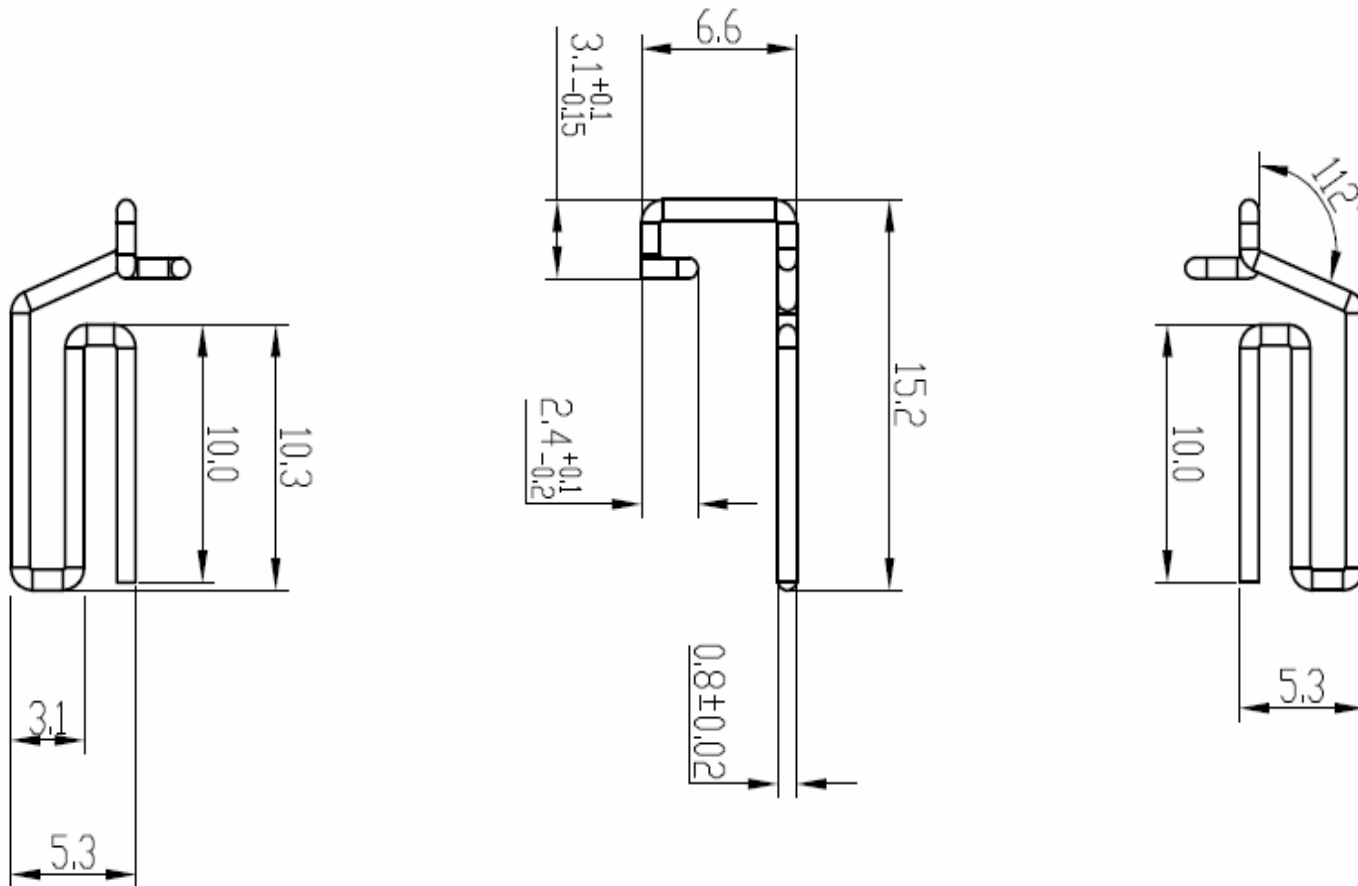
***NOTE: Frequency and Orientation with maximum Antenna Gain.**

Frequency: 1888.704 MHZ

	Vertical	Horizontal
Antenna Gain (dBi)	-3.08	0.00



SKU-A Handset ANT0 Dimensions in mm



Model: K030

Antenna description:

This Monopole is optimized and used in the Handset unit. This antenna is directly soldered to the ANT_1 RF output in the main PCB.

Model Number	Description
K030_ANT1	1.9GHZ Monopole Antenna

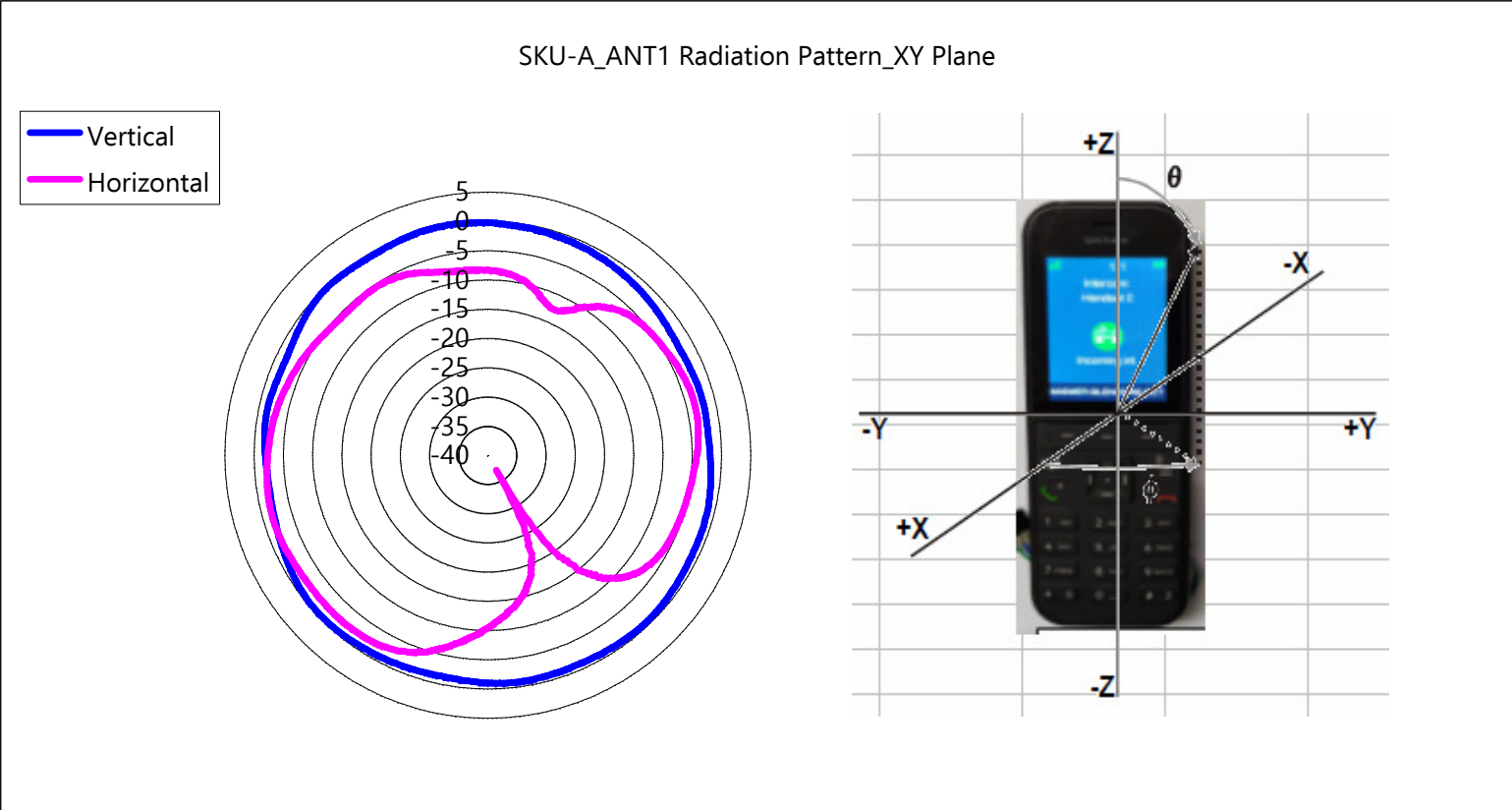
Specification:

Operation Frequency Range	1921.536 to 1928.448 MHZ
Maximum Gain	0 dBi
Type	Monopole Antenna
Operation bandwidth	70MHz
Nominal Impedance	~50 ohms
Manufacturer	Vtech Telecommunications Ltd
Manufacturer address	23/F, Tai Ping Industrial Centre, Blk1, 57 Ting Kok Road, Tai Po, Hong Kong
Model number	ANT-SKU-A-P-DE-1

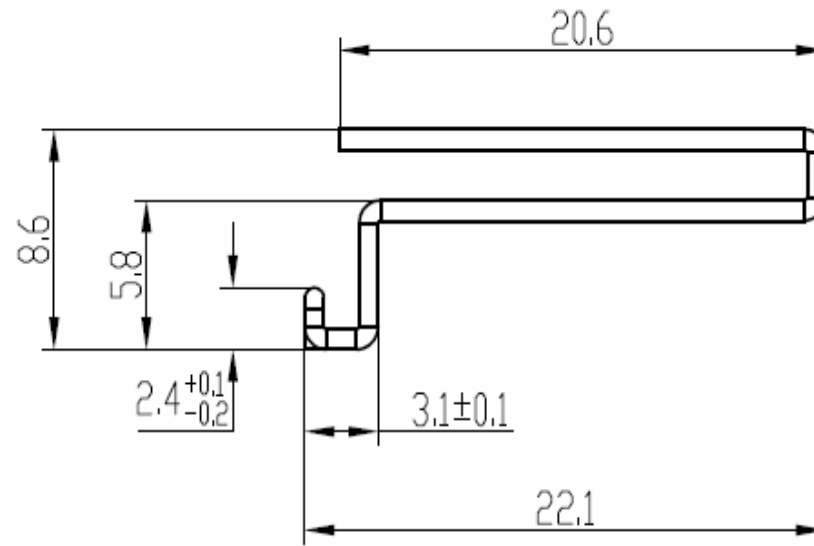
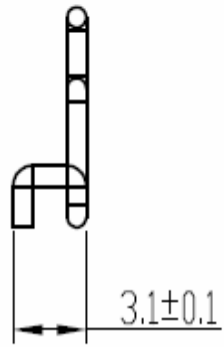
***NOTE: Frequency and Orientation with maximum Antenna Gain.**

Frequency: 1888.704 MHZ

	Vertical	Horizontal
Antenna Gain (dBi)	0.00	-1.63



SKU-A Handset ANT1 Dimensions in mm



Model: K030_BT Antenna

Antenna description:

This Monopole is optimized and used in the Handset unit. This antenna is directly soldered to the ANT3 RF output in the main PCB.

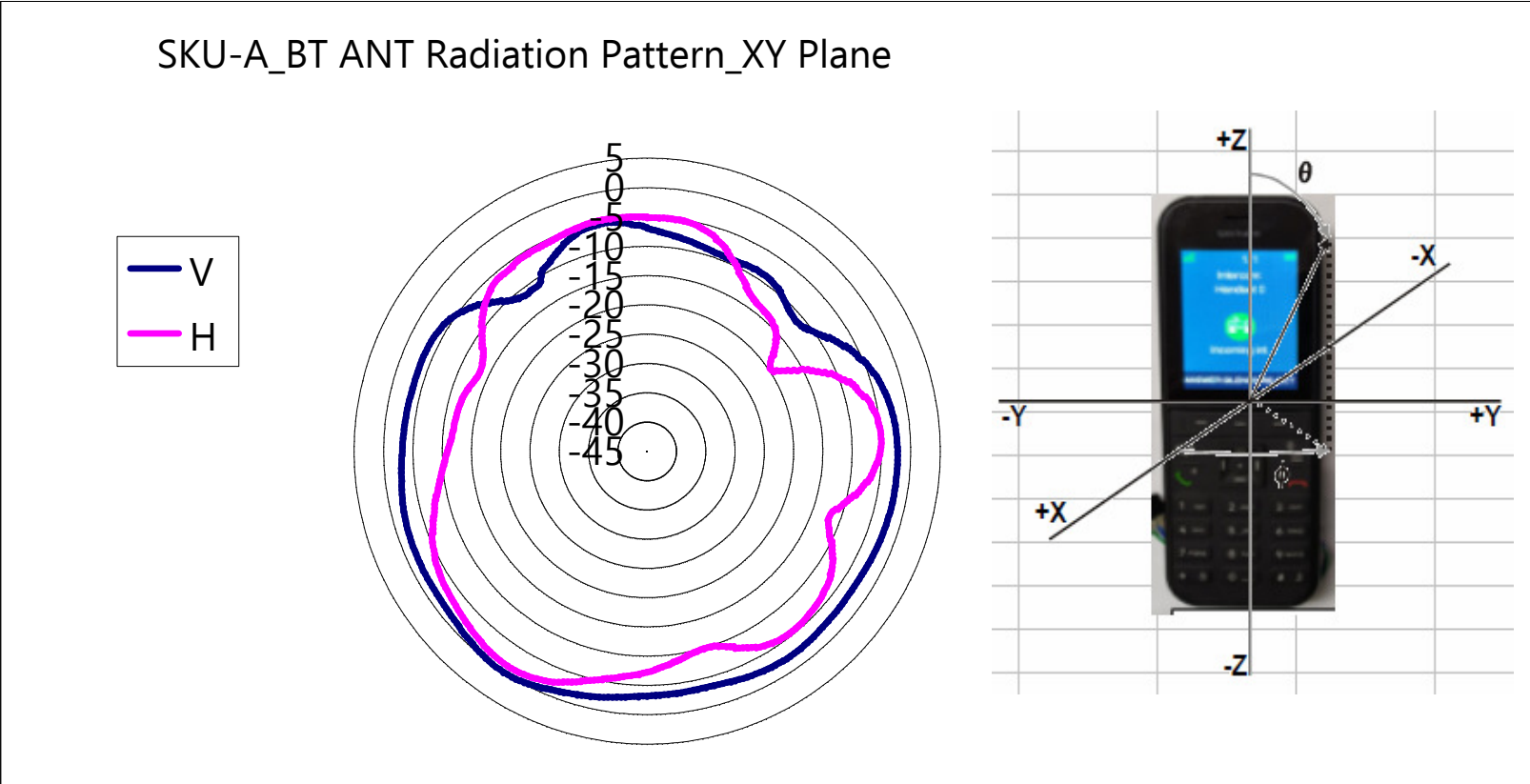
Model Number	Description
K030_BT	2.4GHZ Monopole Antenna

Specification:

Operation Frequency Range	2402 to 2480 MHZ
Maximum Gain	0 dBi
Type	Monopole Antenna
Operation bandwidth	70MHz
Nominal Impedance	~50 ohms
Manufacturer	Vtech Telecommunications Ltd
Manufacturer address	23/F, Tai Ping Industrial Centre, Blk1, 57 Ting Kok Road, Tai Po, Hong Kong
Model number	ANT-SKU-A-P-BT-0

***NOTE: Frequency and Orientation with maximum Antenna Gain.**

	V	H	Frequency MHZ
Antenna Gain (dBi)	0.00	-1.25	2441.000



SKU-A Handset BT Antenna Dimensions in mm

