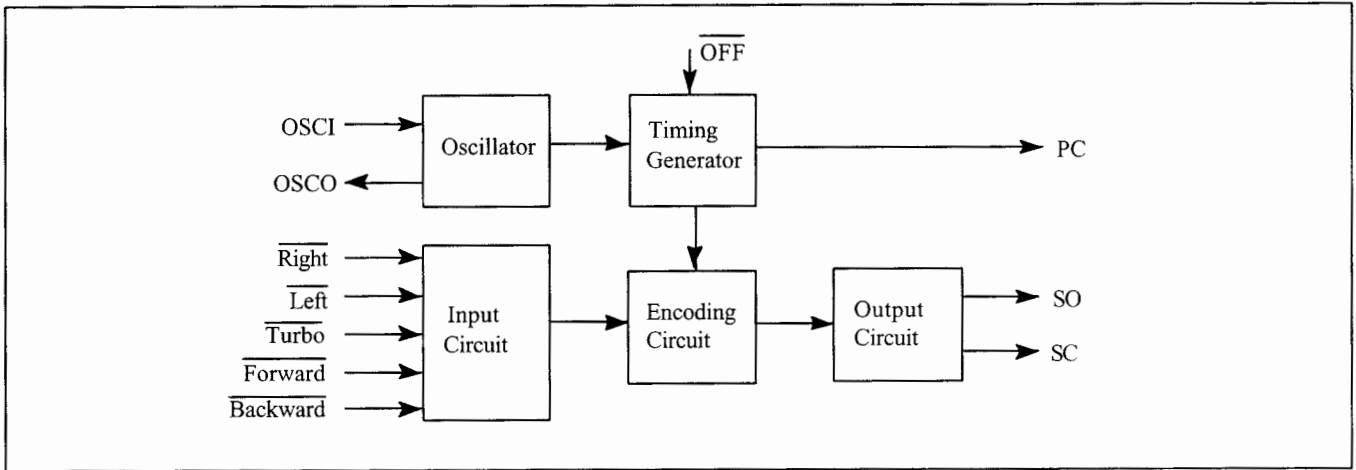


Block Diagram

Block Diagram of 27.145 Mhz and 49.860 Mhz Transmitter



Block Diagram of 27.145 Mhz and 49.860 Mhz Receiver

