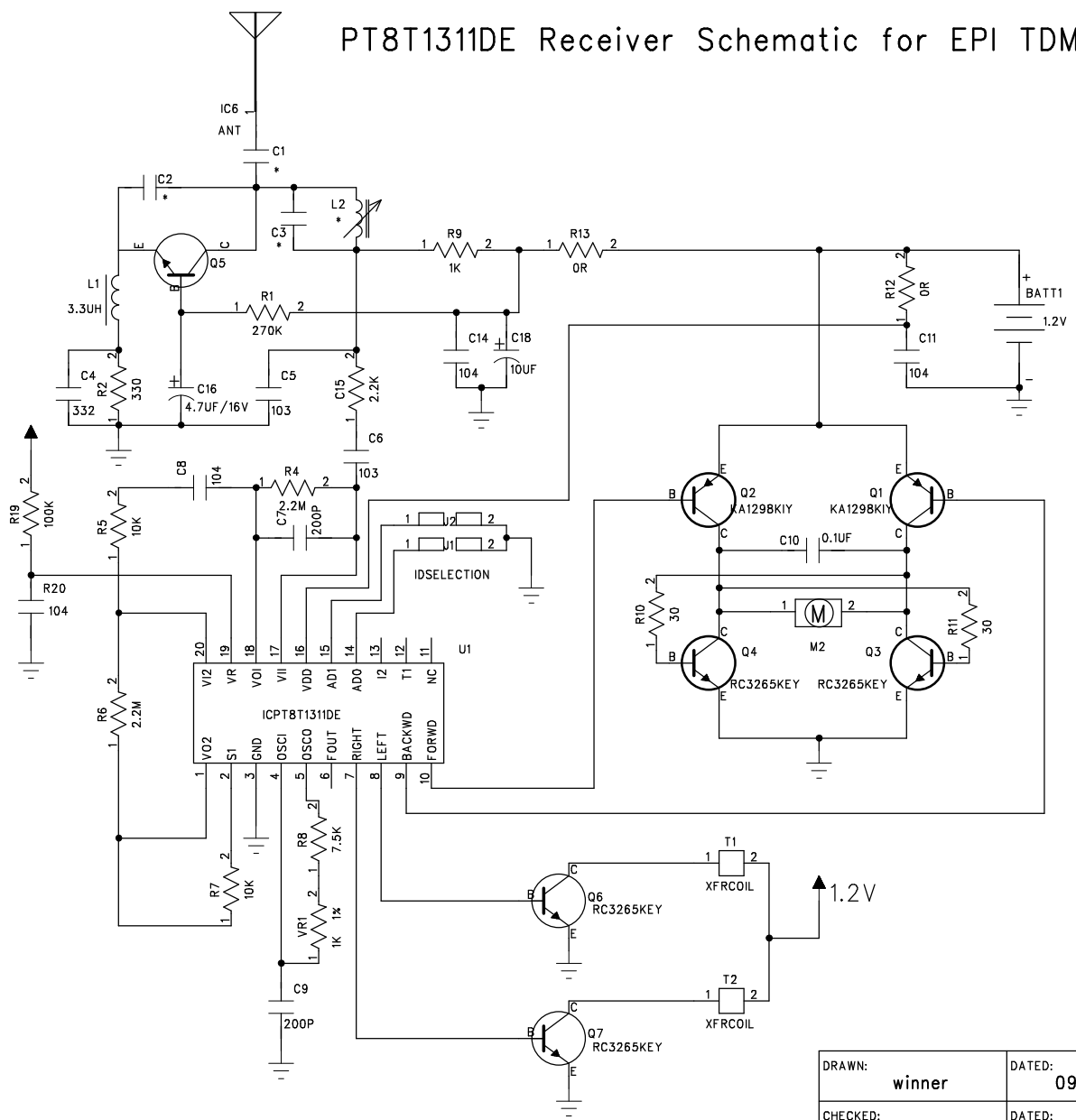


# PT8T1311DE Receiver Schematic for EPI TDMA project

REVISION RECORD			
LTR	ECO NO:	APPROVED:	DATE:



NOTE:  
 1.The first model has no Turbo and addition function.Don't solder R20 and Q8.  
 The value of R20 is 0  
 2.ID selection:using jumper J1 and J2

Channel ID	J1	J2
1(00)	YES	YES
2(01)	YES	NO
3(10)	NO	YES

YES: solder jumper.  
 NO: don't solder jumper.

FREQ.	*	C1*	C2*	C3*	C4*	L2*	L1*
UL27.145MHz		10P	39P	18P	3300P	0.68UH	3.3UH
UL49.860MHz		7P	20P	18P	3300P	0.3UH	3.3UH

COMPANY:			
TITLE: PT8T1311DE Receiver Schematic for EPI TDMA project (UL)			
CODE:	SIZE: A3	DRAWING NO: PT8T1311UL.SCH	REV: 8
SCALE:		SHEET: 1 OF 1	

DRAWN: <b>winner</b>	DATED: <b>09/07</b>
CHECKED:	DATED:
QUALITY CONTROL:	DATED:
RELEASED:	DATED:

D

D

C

C

B

B

A

A

6

5

4

3

2

1