

6

5

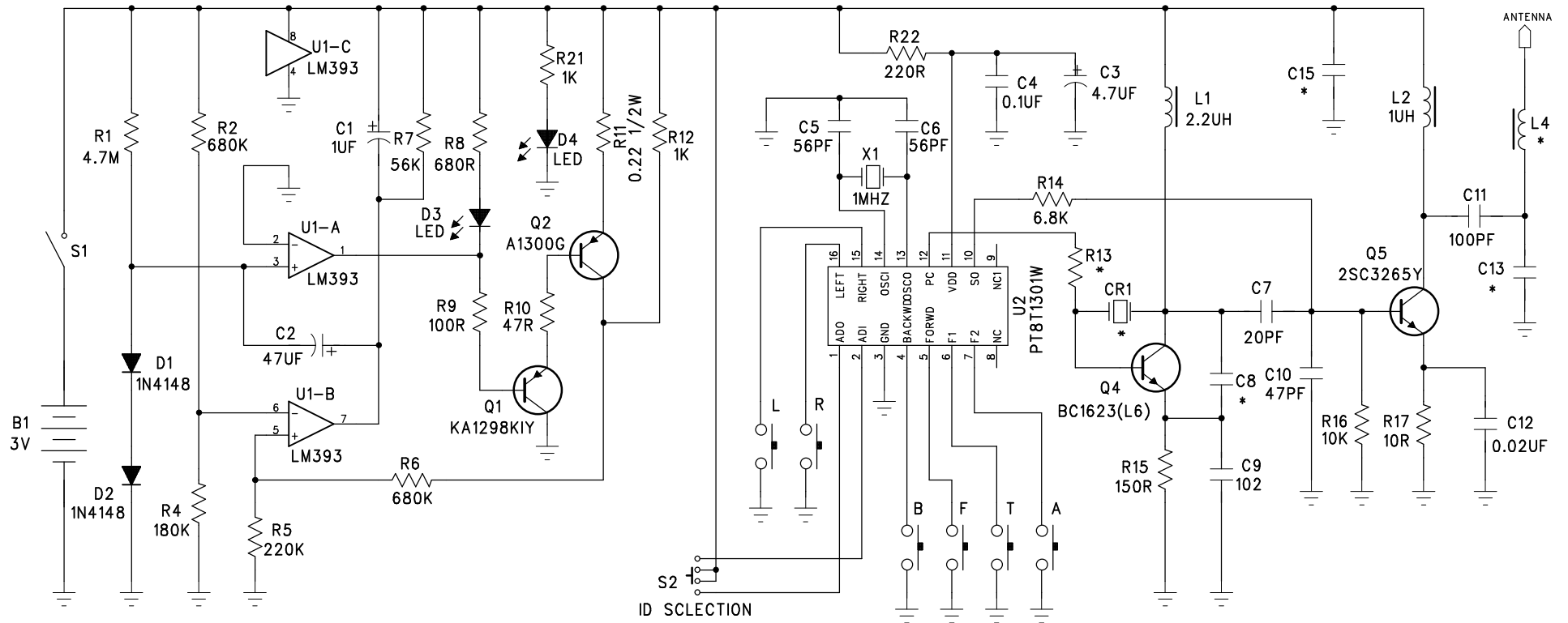
4

3

2

1

REVISION RECORD			
LTR	ECO NO:	APPROVED:	DATE:



NOTE: 1. The oscillator frequency is 1M
 2. Means component change for the differents carrier freq

FREQ.	* CR1	R13	C8	C13	L4	C15
UL27.145MHz	27.145M	100K	47PF	100PF	4.7UH	0.02UF
UL49.860MHz	49.860M	47K	22PF	47PF	2.2UH	0.02UF

COMPANY:

TITLE:
**PT8T1301W Transmitter Schematic
 For EPI TDMA project (UL)**

CHECKED:	DATED:	CODE:	SIZE:	DRAWING NO:	REV:
			A3	8T1301UL.SCH	9

SCALE: SHEET: 1 OF 1

DRAWN: s.w.hui	DATED: 20030711
CHECKED:	DATED:
QUALITY CONTROL:	DATED:
RELEASED:	DATED:

D

D

C

C

B

B

A

A