

6

5

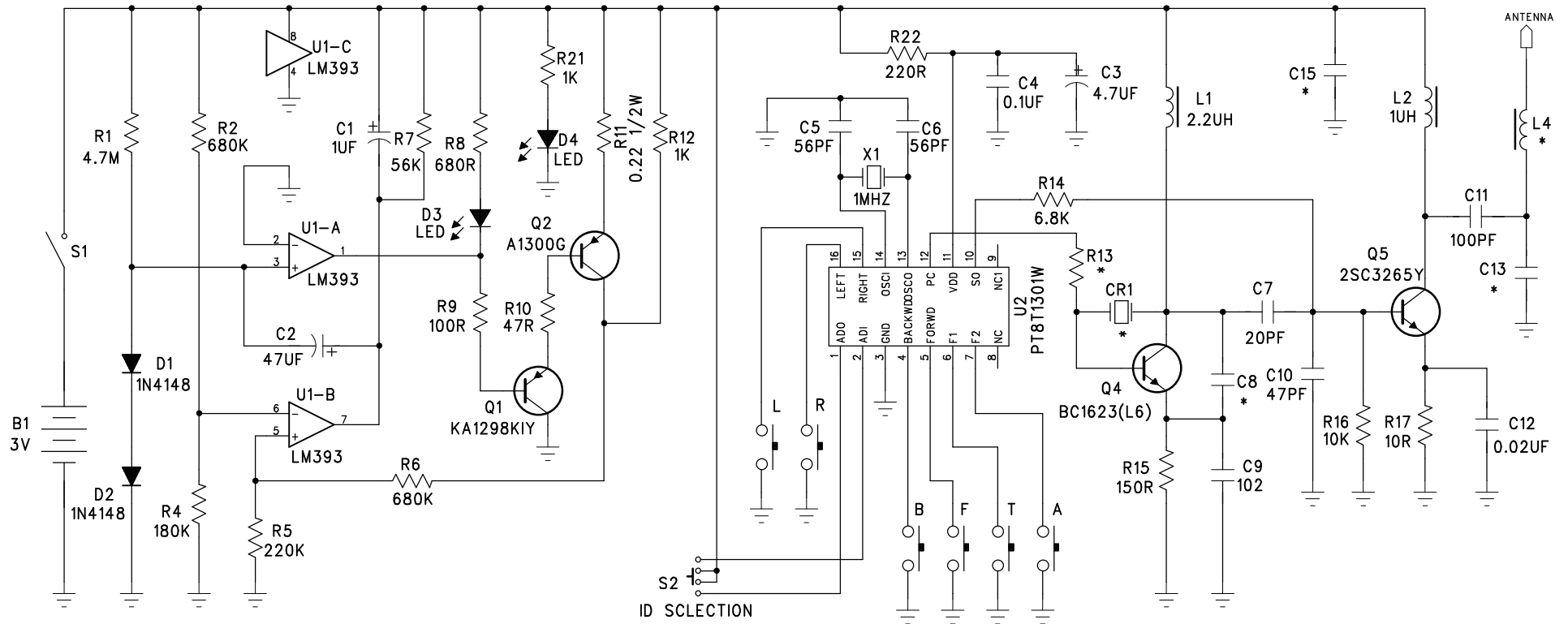
4

3

2

1

REVISION RECORD			
LTR	ECO NO:	APPROVED:	DATE:



- NOTE: 1. The oscillator frequency is 1M  
 2. Means component change for the differents carrier freq

FREQ.	*	CR1	R13	C8	C13	L4	C15
UL27.145MHz		27.145M	100K	47PF	100PF	4.7UH	0.02UF
UL49.860MHz		49.860M	47K	22PF	47PF	2.2UH	0.02UF

DRAWN: s.w.hui	DATED: 20030711
CHECKED:	DATED:
QUALITY CONTROL:	DATED:
RELEASED:	DATED:

COMPANY:			
TITLE: <b>PT8T1301W Transmitter Schematic For EPI TDMA project (UL)</b>			
CODE:	SIZE: A3	DRAWING NO: 8T1301UL.SCH	REV: 9
SCALE:		SHEET: 1 OF 1	

A