



RF Exposure Evaluation Report

Report No. : SA150126C12
Applicant : UNIVERSAL GLOBAL SCIENTIFIC INDUSTRIAL CO., LTD.
Address : 141, Lane 351, Sec. 1, Taiping Road., Tsaotuen, Nantou 54261, Taiwan
Product : LTE Module
FCC ID : IXMMESSI-V
Brand : Universal Global Scientific Industrial Co., Ltd.
Model No. : Messi-V
Standards : FCC Part 2 (Section 2.1091 and 2.1093)
KDB 447498 D01
Sample Received Date : Jan. 26, 2015
Date of Evaluation : Jan. 27, 2015

CERTIFICATION: The above equipment have been tested by **Bureau Veritas Consumer Products Services (H.K.) Ltd., Taoyuan Branch – Lin Kou Laboratories**, and found compliance with the requirement of the above standards. The test record, data evaluation & Equipment Under Test (EUT) configurations represented herein are true and accurate accounts of the measurements of the sample’s SAR characteristics under the conditions specified in this report. It should not be reproduced except in full, without the written approval of our laboratory. The client should not use it to claim product certification, approval, or endorsement by TAF or any government agencies.

Prepared By : Vera Huang
Vera Huang / Specialist
Approved By : Roy Wu
Roy Wu / Manager



This report is for your exclusive use. Any copying or replication of this report to or for any other person or entity, or use of our name or trademark, is permitted only with our prior written permission. This report sets forth our findings solely with respect to the test samples identified herein. The results set forth in this report are not indicative or representative of the quality or characteristics of the lot from which a test sample was taken or any similar or identical product unless specifically and expressly noted. Our report includes all of the tests requested by you and the results thereof based upon the information that you provided to us. You have 60 days from date of issuance of this report to notify us of any material error or omission caused by our negligence, provided, however, that such notice shall be in writing and shall specifically address the issue you wish to raise. A failure to raise such issue within the prescribed time shall constitute your unqualified acceptance of the completeness of this report, the tests conducted and the correctness of the report contents. Unless specific mention, the uncertainty of measurement has been explicitly taken into account to declare the compliance or non-compliance to the specification.



Table of Contents

Release Control Record 3

1. Description of Equipment Under Test 4

2. RF Exposure Assessment 5

 2.1 Introduction 5

 2.2 RF Radiation Exposure Limits 5

 2.3 MPE Assessment Method 6

 2.4 MPE Calculation for Standalone Operations 6

 2.5 SAR Evaluation for Standalone Operations 7

 2.6 Calculation for Simultaneous Transmission Operations 8

3. Information on the Testing Laboratories 9



Release Control Record

Report No.	Reason for Change	Date Issued
SA150126C12	Initial release	Jan. 28, 2015

RF Exposure Evaluation Report

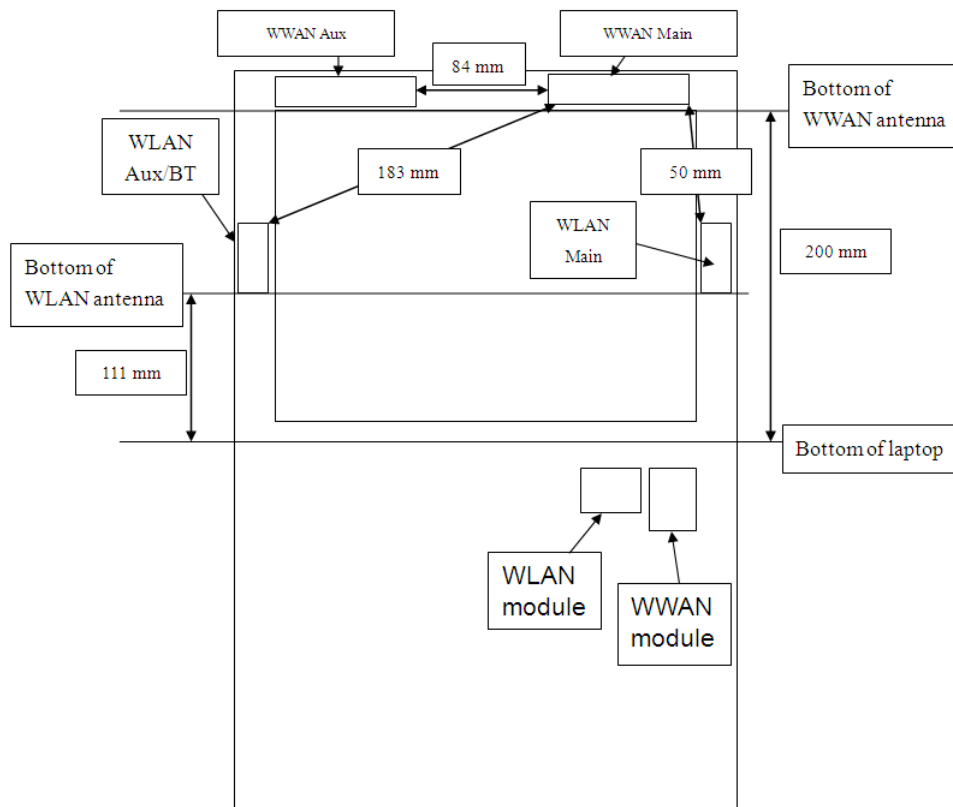
1. Description of Equipment Under Test

EUT Type	LTE Module
FCC ID	IXMMESSI-V
Brand Name	Universal Global Scientific Industrial Co., Ltd.
Model Name	Messi-V
Tx Frequency Bands (Unit: MHz)	LTE Band 4 : 1712.5 ~ 1752.5 (5M), 1715 ~ 1750 (10M), 1717.5 ~ 1747.5 (15M), 1720 ~ 1745 (20M) LTE Band 13 : 779.5 ~ 784.5 (5M), 782 (10M) WLAN : 2412 ~ 2462, 5180 ~ 5240, 5260 ~ 5320, 5500 ~ 5700, 5745 ~ 5805/5825 Bluetooth : 2402 ~ 2480
Uplink Modulations	LTE : QPSK, 16QAM 802.11b : DSSS 802.11a/g/n/ac : OFDM Bluetooth : GFSK
Antenna Type	Fixed Internal Antenna
EUT Stage	Identical Prototype

Note:

- The above EUT information is declared by manufacturer and for more detailed features description please refers to the manufacturer's specifications or User's Manual.

Antenna Location:





RF Exposure Evaluation Report

2. RF Exposure Assessment

2.1 Introduction

According to 47 CFR §2.1091, a mobile device is defined as a transmitting device designed to be used in other than fixed locations and to generally be used in such a way that a separation distance of at least 20 cm is normally maintained between the transmitting antenna and the body of the user or nearby persons. In this context, the term “fixed location” means that the device is physically secured at one location and is not able to be easily moved to another location. Transmitting devices designed to be used by consumers or workers that can be easily re-located, such as wireless devices associated with a personal computer, are considered to be mobile devices if they meet the 20 cm separation requirement. The limits to be used for MPE evaluation are specified in §1.1310. All unlicensed personal communications service (PCS) devices and unlicensed NII devices shall be subject to the limits for general population/uncontrolled exposure.

2.2 RF Radiation Exposure Limits

According to 47 CFR §1.1310, the criteria listed in below table shall be used to evaluate the environmental impact of human exposure to RF radiation as specified in §1.1307(b), except in the case of portable devices which shall be evaluated according to the provisions of §2.1093.

Frequency Range (MHz)	Electric Field Strength (V/m)	Magnetic Field Strength (A/m)	Power Density (mW/cm ²)	Averaging Time (min)
(A) Limits for Occupational / Controlled Exposures				
0.3 – 3.0	614	1.63	100	6
3.0 – 30	1842/f	4.89/f	900/f ²	6
30 – 300	61.4	0.163	1.0	6
300 – 1500	-	-	f/300	6
1500 – 100000	-	-	5	6
(B) Limits for General Population / Uncontrolled Exposures				
0.3 – 1.34	614	1.63	100	30
1.34 – 30	824/f	2.19/f	180/f ²	30
30 – 300	27.5	0.073	0.2	30
300 – 1500	-	-	f/1500	30
1500 – 100000	-	-	1.0	30

Limits for maximum permissible exposure (MPE)

Notes:

- f = frequency in MHz
- Occupational/controlled limits apply in situations in which persons are exposed as a consequence of their employment provided those persons are fully aware of the potential for exposure and can exercise control over their exposure. Limits for occupational/controlled exposure also apply in situations when an individual is transient through a location where occupational/controlled limits apply provided they are made aware of the potential for exposure.
- General population/uncontrolled exposures apply in situations in which the general public may be exposed, or in which persons that are exposed as a consequence of their employment may not be fully aware of the potential for exposure or cannot exercise control over their exposure.

RF Exposure Evaluation Report

2.3 MPE Assessment Method

Calculations can be made to predict RF field strength and power density levels around typical RF sources. For example, in the case of a single radiating antenna, a prediction for power density in the far-field of the antenna can be made by use of the general Equations below. This equation is generally accurate in the far-field of an antenna but will over-predict power density in the near field, where they could be used for making a "worst case" or conservative prediction.

$$\text{Power Density (S)} = \frac{PG}{4\pi R^2} = \frac{\text{EIRP}}{4\pi R^2}$$

Where

S = Power Density, unit in mW/cm²

P = Power input to the antenna, unit in mW

G = Power gain of the antenna in the direction of interest relative to an isotropic radiator

R = Distance to the center of radiation of the antenna, unit in cm

EIRP = Effective isotropically radiated power

2.4 MPE Calculation for Standalone Operations

The manufacturer expects that the radiated component of this device will not close to the human body during normal usage and the warning statement was also stated in the user instruction. Since the transmitting antenna will be kept at least 20 cm away from the human body, the MPE level is calculated based on this condition and the result is listed in below table.

Band	Max. Time-averaged Power (dBm)	Peak Antenna Gain (dBi)	Max. Time-averaged EIRP (mW)	Max. Time-averaged ERP (W)	Calculated Power Density (mW/cm ²)	MPE Limit (mW/cm ²)	Result
LTE 4	24.0	1.34	341.98	0.21	0.068	1.00	PASS
LTE 13	24.0	0.59	287.74	0.18	0.057	0.52	PASS

Summary:

Since the ERP (effective radiated power) operated at < 1.5 GHz is less than 1.5 watts and > 1.5 GHz is less than 3 watts, the routine environmental evaluation is not required, and the MPE result calculated for this device complies with the MPE limit as specified in 47 CFR §1.1310.

RF Exposure Evaluation Report

2.5 SAR Evaluation for Standalone Operations

According to KDB 447498, the SAR test exclusion condition is based on source-based time-averaged maximum conducted output power, adjusted for tune-up tolerance, and the minimum test separation distance required for the exposure conditions. The SAR exclusion threshold is determined by the following formula.

- For the test separation distance ≤ 50 mm

$$\frac{\text{Max. Tune up Power}_{(mW)}}{\text{Min. Test Separation Distance}_{(mm)}} \times \sqrt{f_{(GHz)}} \leq 3.0$$

When the minimum test separation distance is < 5 mm, a distance of 5 mm is applied to determine SAR test exclusion.

- For the test separation distance > 50 mm, and the frequency at 100 MHz to 1500 MHz

$$\left[(\text{Threshold at 50 mm in Step 1}) + (\text{Test Separation Distance} - 50 \text{ mm}) \times \left(\frac{f_{(MHz)}}{150} \right) \right]_{(mW)}$$

- For the test separation distance > 50 mm, and the frequency at > 1500 MHz to 6 GHz

$$[(\text{Threshold at 50 mm in Step 1}) + (\text{Test Separation Distance} - 50 \text{ mm}) \times 10]_{(mW)}$$

Mode Max. Tune-up	Power (dBm) Max.	Tune-up Power (mW)	Ant. to Surface (mm)	Calculated Result	Require SAR Testing?
WLAN 2.4G	16.5	45	111	706 mW	No
WLAN 5G	16.5	45	111	672 mW	No
BT	10.0	10	111	705 mW	No

Note:

- When separation distance ≤ 50 mm and the calculated result shown in above table is ≤ 3.0 , the SAR testing exclusion is applied.
- When separation distance > 50 mm and the device output power is less than the calculated result (power threshold, mW) shown in above table, the SAR testing exclusion is applied.

Summary:

Since the SAR testing for all frequency bands apply SAR test exclusion per KDB 447498, SAR testing for this device is not required.

RF Exposure Evaluation Report

2.6 Calculation for Simultaneous Transmission Operations

For host devices that operate in the mixed mobile and portable exposure conditions, simultaneous transmission RF exposure test exclusion applies when the sum of the MPE ratios and SAR ratios for all simultaneous transmitting antennas incorporated in a host device, based on the calculated, estimated or measured power density and SAR, is ≤ 1.0 . The MPE ratio of each antenna is determined at the minimum test separation distance required by the operating configurations and exposure conditions of the host device, according to the ratio of power density to MPE limit, at the test frequency. Antennas that qualify for standalone SAR test exclusion would apply the estimated standalone SAR to determine simultaneous transmission test exclusion.

$$\sum_{i=1}^{\infty} \frac{MPE_i}{MPE_{Limit}} + \sum_{i=1}^{\infty} \frac{SAR_i}{SAR_{Limit}} \leq 1.0$$

Where

MPE_i = power density

MPE_{Limit} = power density limit

SAR_i = highest measured or estimated SAR calculated per KDB 447498

SAR_{Limit} = SAR limit, 1.6 W/kg

Calculated Result:

Transmitting Antennas	Band	Power Density	Power Density Limit	P/L Ratio	Max. Ratio
1	LTE 4	0.068	1.00	0.068	0.11
	LTE 13	0.057	0.52	0.11	
Transmitting Antennas	Band	Estimated SAR	SAR Limit	SAR/Limit Ratio	Max. Ratio
2	WLAN 2.4G	0.40	1.60	0.25	0.25
	WLAN 5G	0.40	1.60	0.25	
3	Bluetooth	0.40	1.60	0.25	0.25
Sum of the Ratio					0.61

Note: Since both WLAN and Bluetooth apply standalone SAR test exclusion and the separation distance between antenna and user is 111 mm that is larger than 50 mm, the conservative estimate of 0.40 W/kg is applied.

Summary:

Since the summation of the ratio on worst condition comply the above formula; the simultaneous transmission operations also complies with the FCC restriction as specified in KDB 447498.



RF Exposure Evaluation Report

3. Information on the Testing Laboratories

We, Bureau Veritas Consumer Products Services (H.K.) Ltd., Taoyuan Branch, were founded in 1988 to provide our best service in EMC, Radio, Telecom and Safety consultation. Our laboratories are accredited and approved according to ISO/IEC 17025.

If you have any comments, please feel free to contact us at the following:

Taiwan HwaYa EMC/RF/Safety/Telecom Lab:

Add: No. 19, Hwa Ya 2nd Rd, Wen Hwa Vil., Kwei Shan Hsiang, Taoyuan Hsien 333, Taiwan, R.O.C.

Tel: 886-3-318-3232

Fax: 886-3-327-0892

Taiwan LinKo EMC/RF Lab:

Add: No. 47-2, 14th Ling, Chia Pau Vil., Linkou Dist., New Taipei City 244, Taiwan, R.O.C.

Tel: 886-2-2605-2180

Fax: 886-2-2605-1924

Taiwan HsinChu EMC/RF Lab:

Add: No. 81-1, Lu Liao Keng, 9th Ling, Wu Lung Vil., Chiung Lin Township, Hsinchu County 307, Taiwan, R.O.C.

Tel: 886-3-593-5343

Fax: 886-3-593-5342

Email: service.adt@tw.bureauveritas.com

Web Site: www.adt.com.tw

The road map of all our labs can be found in our web site also.

---END---