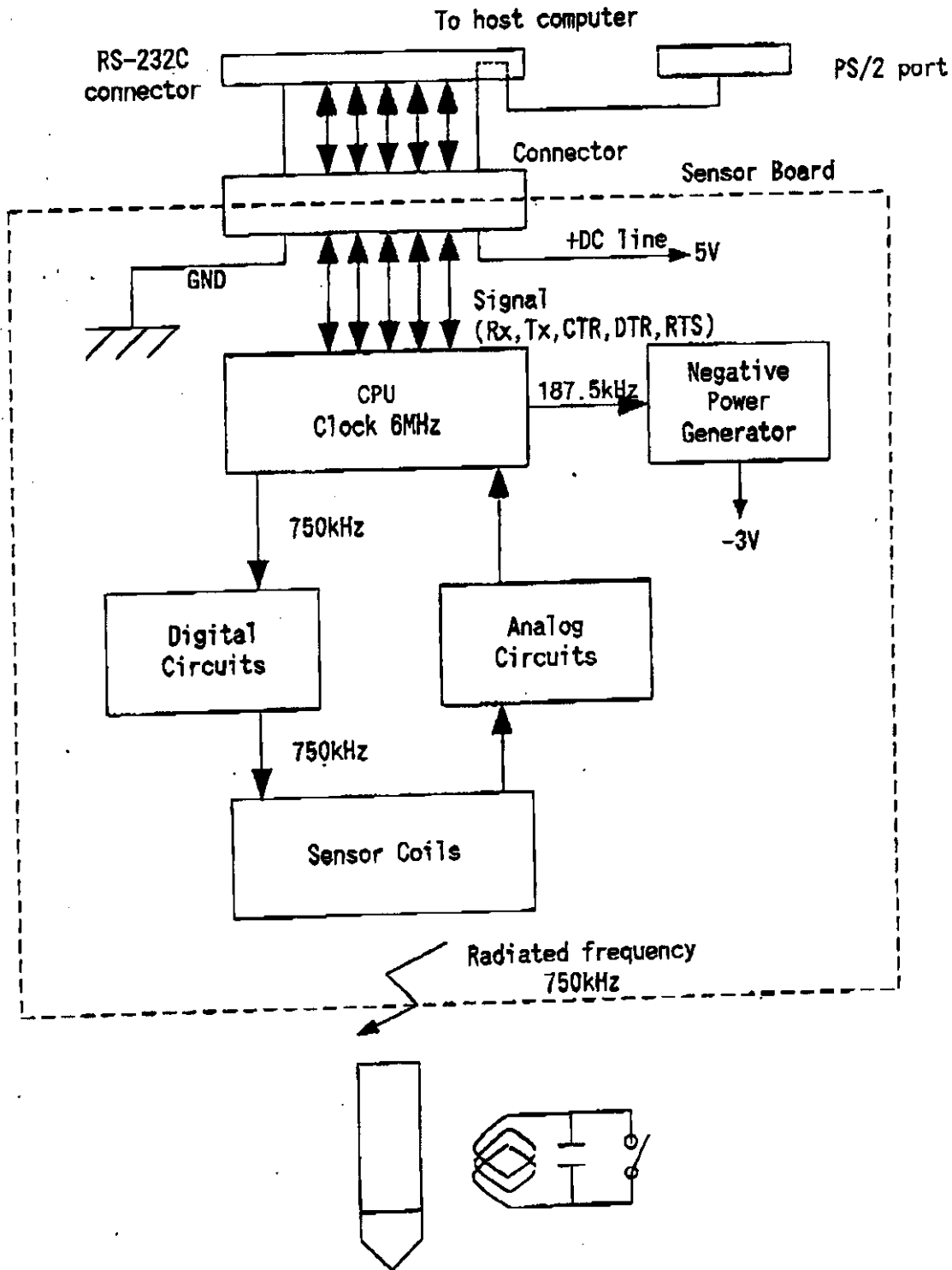


Block Diagram for ET-0405-R



Block Diagram for ET-0405-U

