

USI CF-B-AG-02



 S/N: ??????????????
 USI P/N: 4529-114105-11
 T/N: ??????????
 MAC address: ??????????????
KD02902-1231 01A


 Approval No. **FC**
CE0336
 FCC ID: IXMCF-B-AG-02
 IC ID: 4110A-CFBAG02
Made in Taiwan

Please refer to following table sheet. The name of lbl file:
 (此項設定,請依照以下列表的背標欄位)(lbl檔名:)

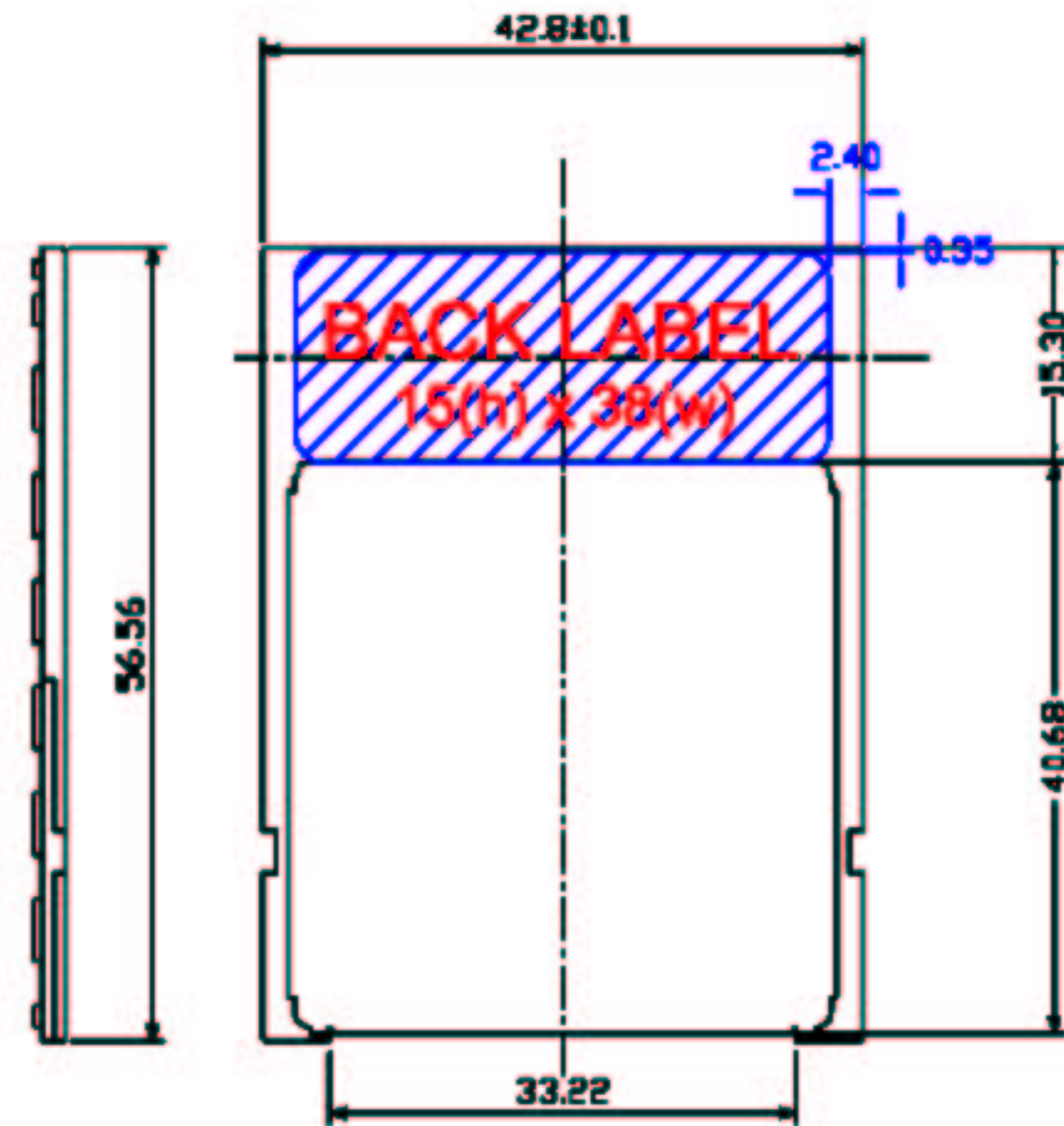
NOTE:



1. Material(材質): PET(特多龍)
2. Color(顏色): White paper; Black text (白底 ; 黑字)
3. Thickness(厚度): 0.05±0.003mm
4. All text must be readable(所有文字必須可辨識)
5. Barcode format(條碼格式): code39
6. Barcode contents(條碼內容): the same with S/N readable text (與S/N同)

▲			 USI[®] Universal Scientific Industrial Co.,Ltd.			
▲			SOURCE ORGANIZATION			
▲			TAIWAN / COM			
▲			MODEL NO			DWG NO
▲				DESIGNER	DATE	SCALE: FREE
▲			Unless otherwise tolerance specified			UNIT: mm
▲				APP BY	DATE	USI P/N
▲			±			SHEET
▲	NO	DESCRIPTION	DATE			REV
	1		2	3	4	

Manufacturing Notes: Unless Otherwise Specified

Follow dimensions below for artwork and label placement.
Label should be centered on the card .



			 Universal Scientific Industrial Co.,Ltd.			
			TITLE CF CARD BACK LABEL PLACEMENT		SOURCE ORGANIZATION USI TAIWAN / COM	
			MODEL NO	DWG NO		UNIT: mm SHEET REV
			 Unless otherwise tolerance specified	DESIGNER	DATE	
				WILSON	03/12/16	USI P/N
				APP BY	DATE	
NO	DESCRIPTION	DATE				