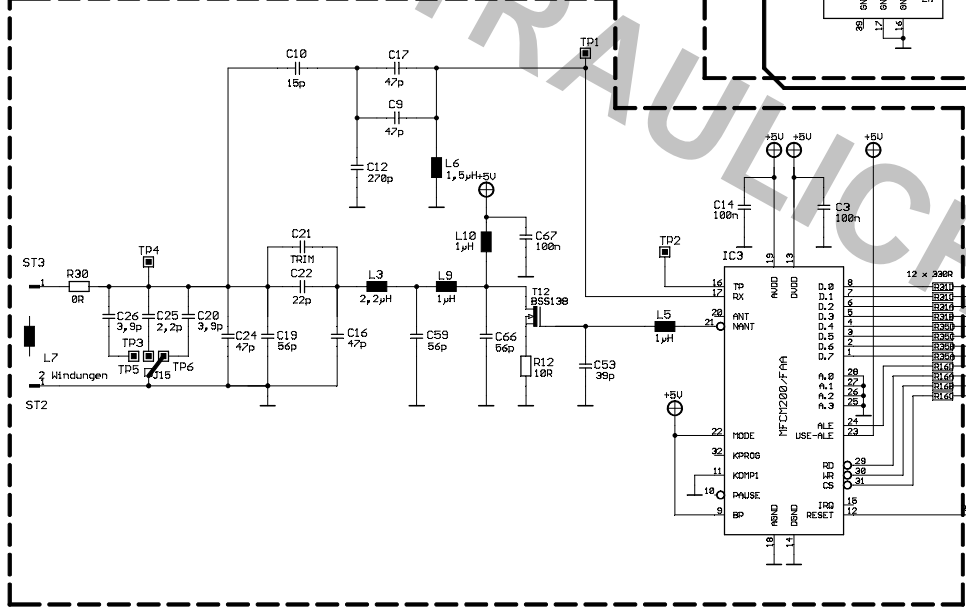
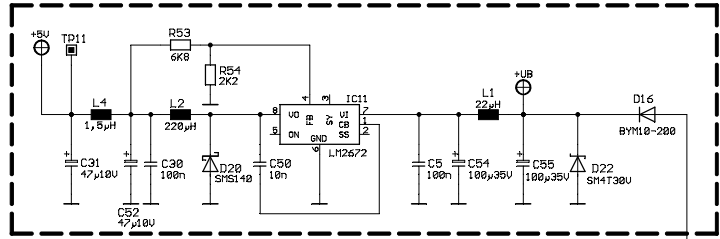


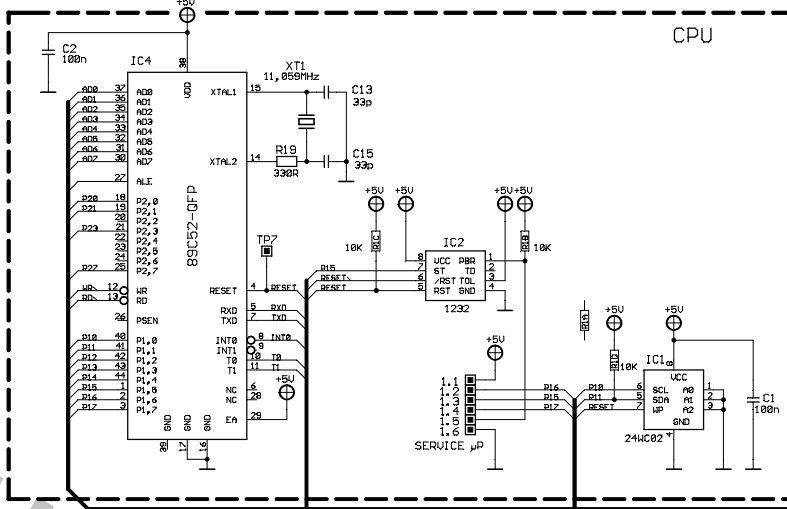
### MIFARE TRANSCEIVER



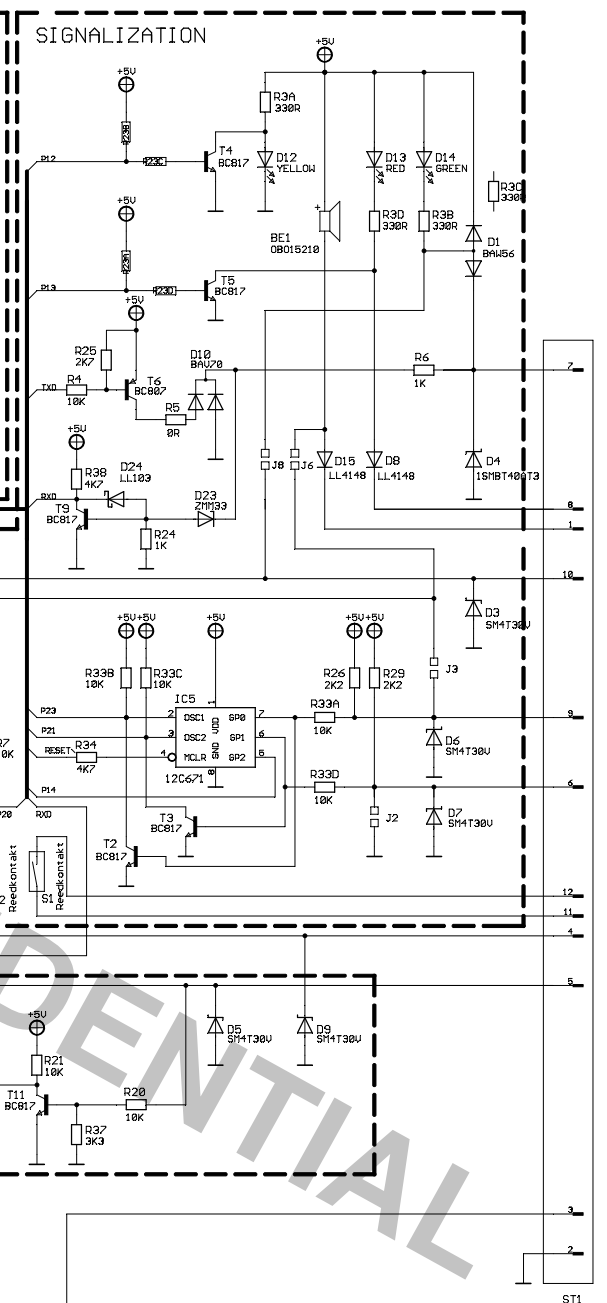
### POWER SUPPLY



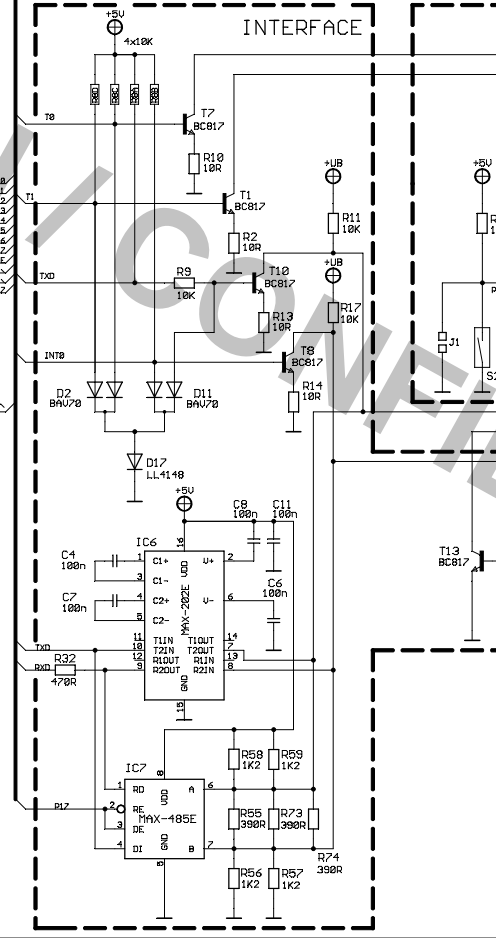
### CPU



### SIGNALIZATION



### INTERFACE



VERTRAULICH-CONFIDENTIAL-VERTRAULICH-CONFIDENTIAL-VERTRAULICH-CONFIDENTIAL			
00	Dat.	Name	delster
	04.09.	Steckel	electronic
	Check	Mohlfeld	
PRM 5-Modul			
Rev.	Modification	Dat./Name	Part-Nr.:
			PCB-Nr.: 80 07 83
			1/1