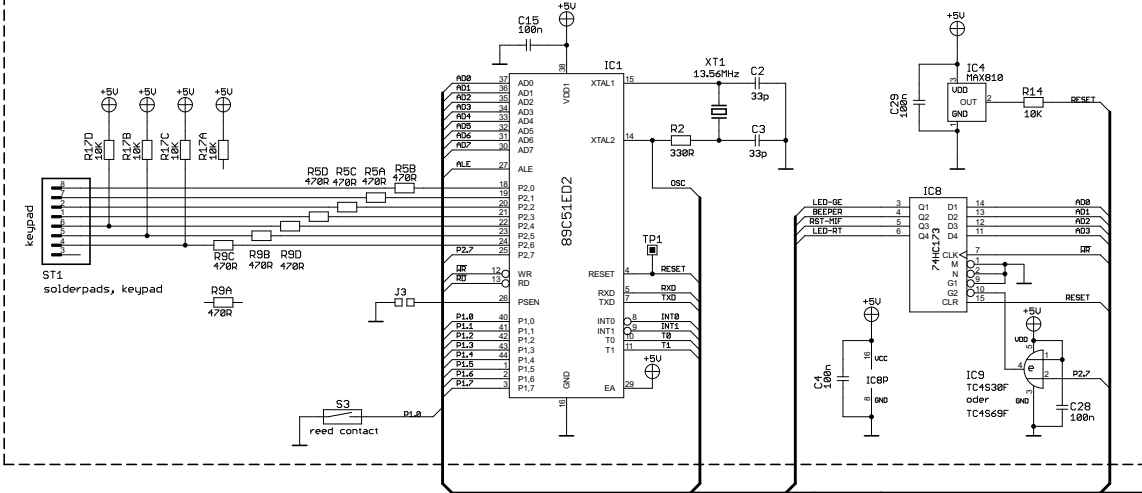
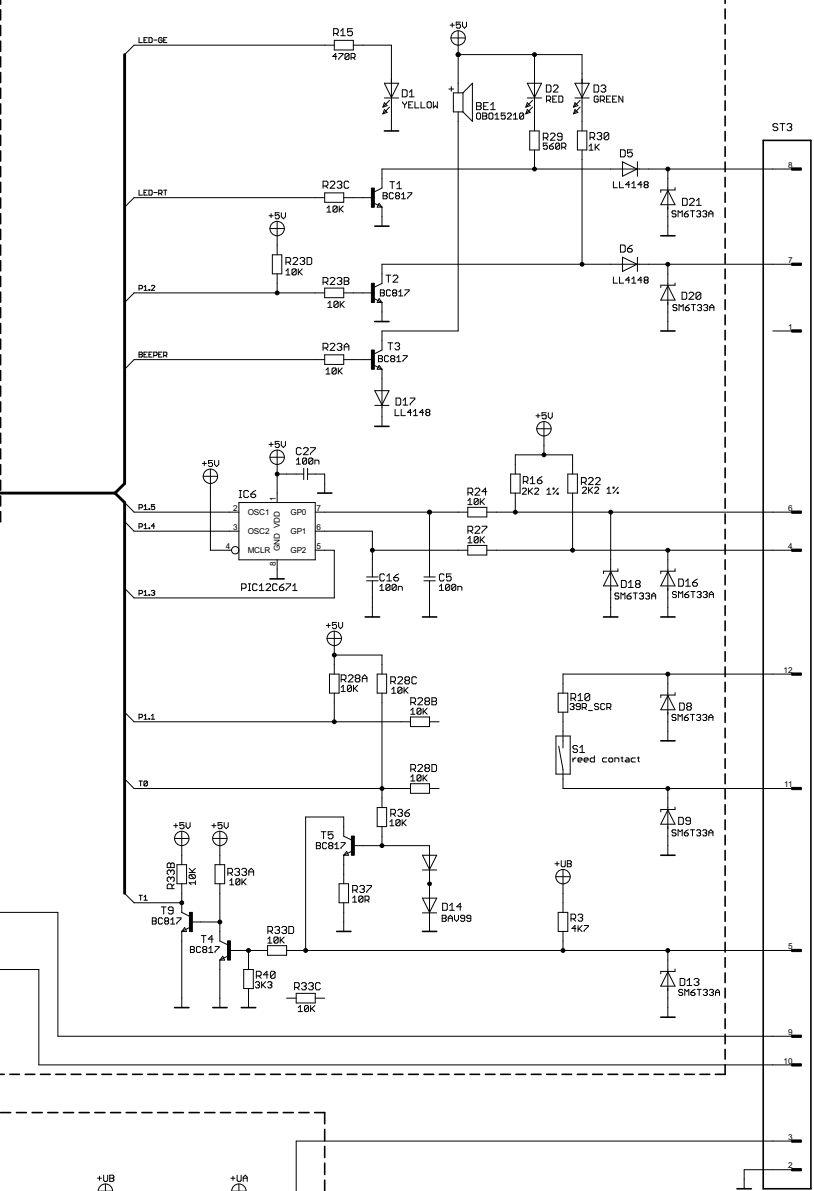


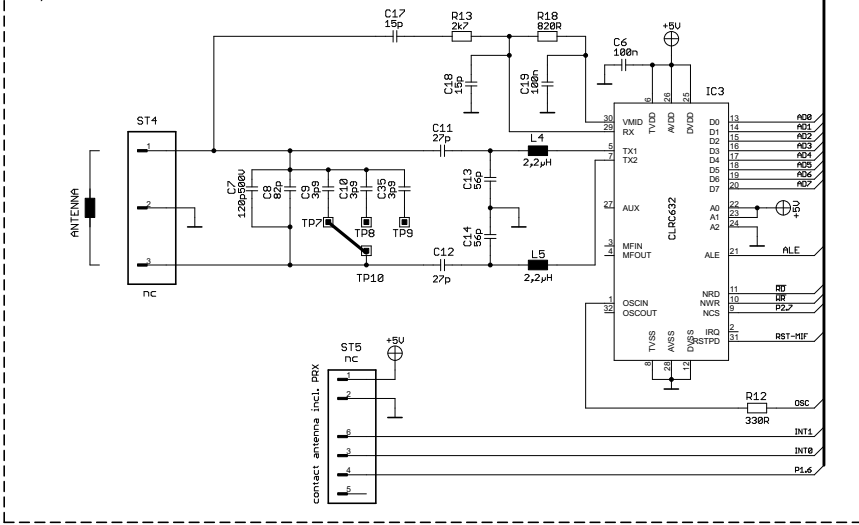
PROCESSOR



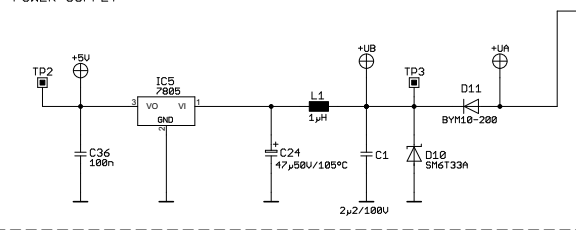
INTERFACE



13,56MHz



POWER SUPPLY



		15	Day	Name	deister electronic
Proj.	12.11.	Steckel			
Drawn		Mohfeld			
Checked					
By					
PRD5/2HID SF2F and Tampercontact					
Rev.	Modification	Day/Name	Part-Nr.	32294	PCB-Nr.
				070410	Page 1/1