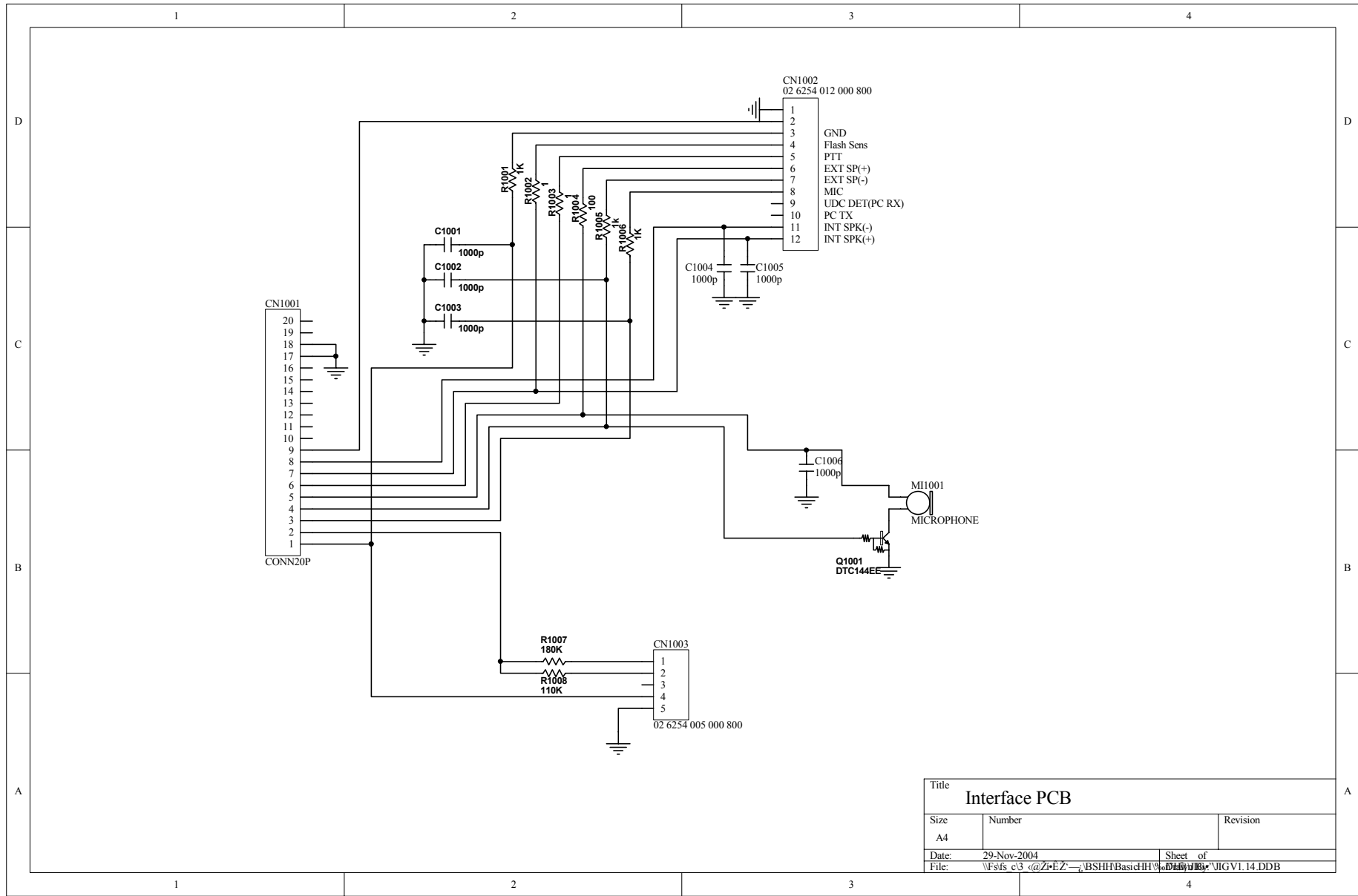
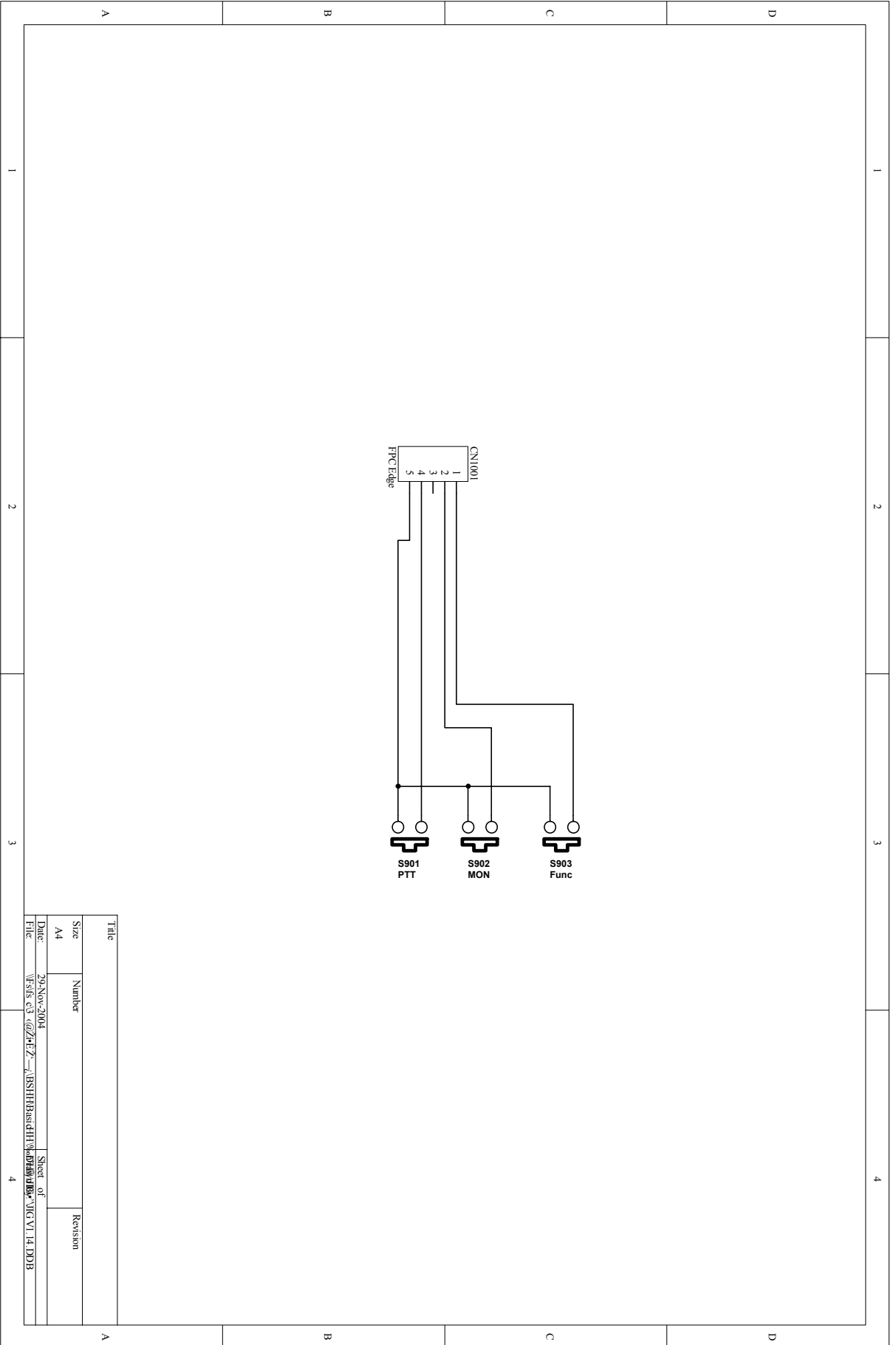


| | | |
|--------------------------|--|----------|
| Title | | |
| BS HH 16 Sub PCBs | | |
| Size | Number | Revision |
| A4 | | |
| Date: | 6-Dec-2004 | Sheet of |
| File: | \\Fs\Fs_c3\@ZiEZ\BSSH\BasicHH\Drawn\BIC\JIGV1.14.DDB | |

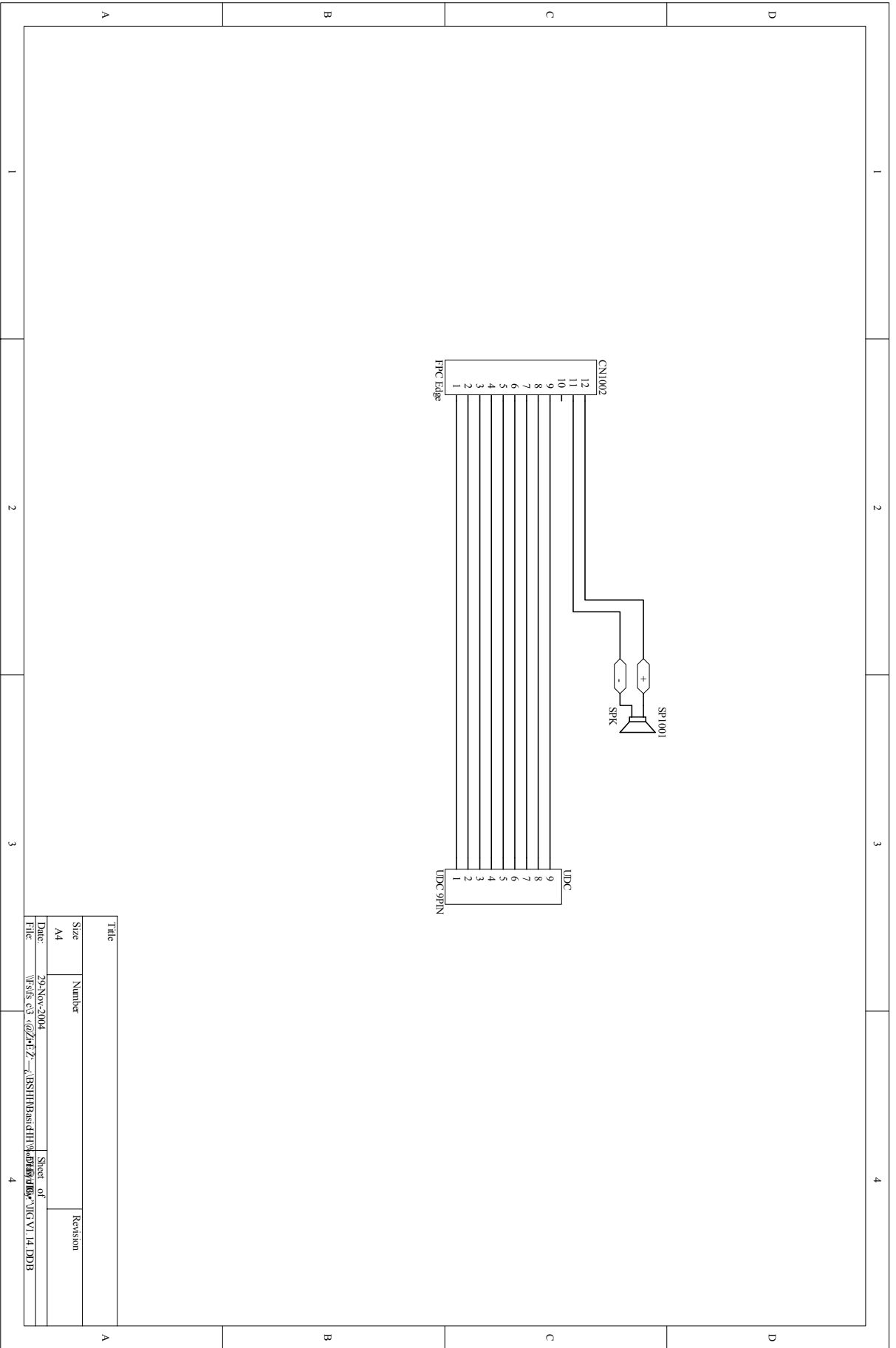


| | | |
|---------------|--|----------|
| Title | | |
| Interface PCB | | |
| Size | Number | Revision |
| A4 | | |
| Date: | 29-Nov-2004 | Sheet of |
| File: | \\Fsfs_c3_@Z\EZ\B\B\B\Basic\HH16\HH16\JIGV1.14.DDB | 1 of 1 |

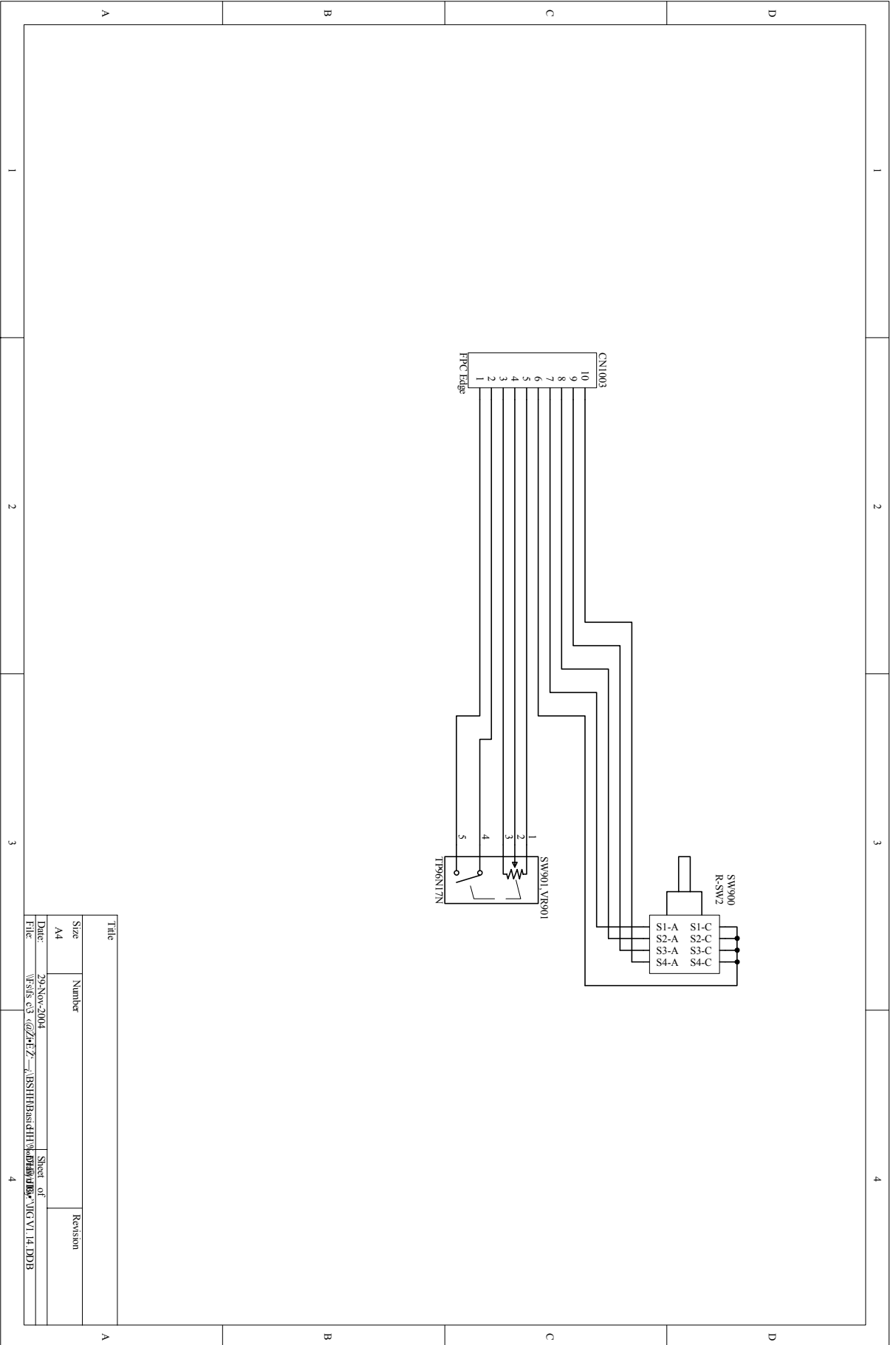
HH16 JIG



| | | | | | |
|-------|---|--------|--|------------|--|
| Title | | Number | | Revision | |
| Size | A4 | | | | |
| Date: | 20-Nov-2004 | | | | |
| File: | VFSIS_c13 (02/11/04)-\BSH\HBS\src\HIT\%s\Draw\IDB-VICV114.DDB | | | Sheet of 4 | |



| | | | |
|-------|---|------------|--|
| Title | | | |
| Size | Number | Revision | |
| A4 | 20-Nov-2004 | Sheet of 4 | |
| Date: | WFSIS c13 (GZ)E2-A\BSHH\Bass\GHT\%&D\HW\UDC-VICV114.DDB | | |
| File: | | | |



| | | | | | |
|-------|---|----------|--|----------|--|
| Title | | Number | | Revision | |
| Size | A4 | | | | |
| Date: | 20-Nov-2004 | | | | |
| File: | VF518_c03 (02)4E2-A.BSHHBSstqHT%&DHWJDB-VICV114.DDB | Sheet of | | 4 | |