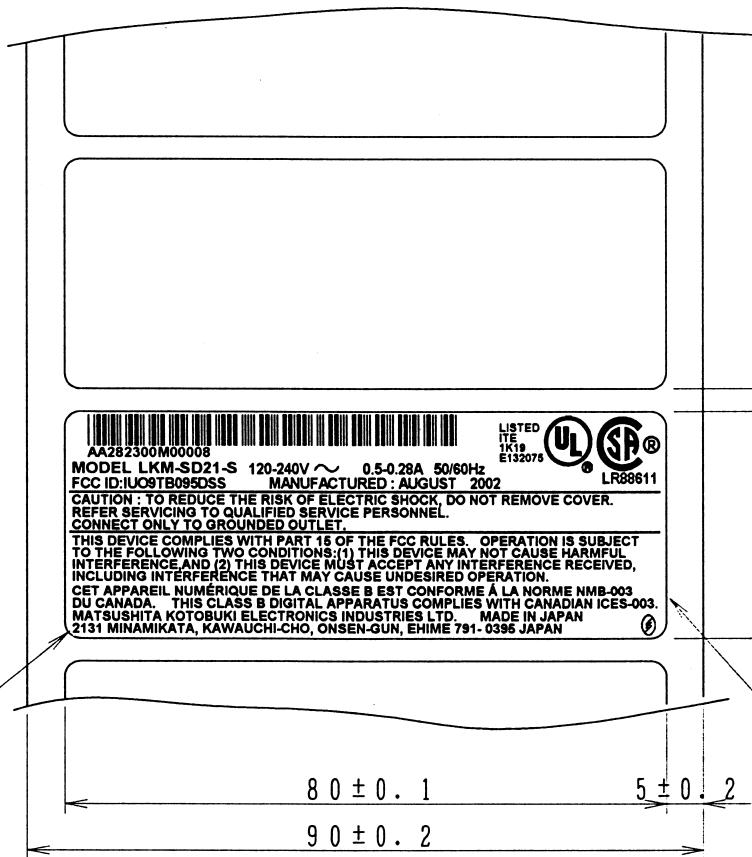
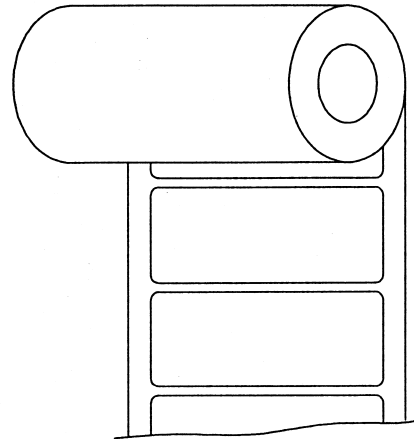


Tolerans (±)	Sym.	Date	Revision	Signed	Checked
From 0 to 4 0.10					
From 4 to 16 0.20					
From 16 to 63 0.30					
From 63 to 250 0.50					
From 250 to 1000 0.80					



AA282300M00008
 MODEL LKM-SD21-S 120-240V ~ 0.5-0.28A 50/60Hz
 FCC ID: IUC9TB0950SS MANUFACTURED: AUGUST 2002 LR88611
 LISTED ITC E132075
 UL CSA
 CAUTION: TO REDUCE THE RISK OF ELECTRIC SHOCK, DO NOT REMOVE COVER. REFER SERVICING TO QUALIFIED SERVICE PERSONNEL. CONNECT ONLY TO GROUNDED OUTLET.
 THIS DEVICE COMPLIES WITH PART 15 OF THE FCC RULES. OPERATION IS SUBJECT TO THE FOLLOWING TWO CONDITIONS: (1) THIS DEVICE MAY NOT CAUSE HARMFUL INTERFERENCE AND (2) THIS DEVICE MUST ACCEPT ANY INTERFERENCE RECEIVED, INCLUDING INTERFERENCE THAT MAY CAUSE UNDESIRABLE OPERATION.
 CET APPAREIL NUMÉRIQUE DE LA CLASSE B EST CONFORME À LA NORME NMB-003 DU CANADA. THIS CLASS B DIGITAL APPARATUS COMPLIES WITH CANADIAN ICES-003.
 MATSUSHITA KOTOBUKI ELECTRONICS INDUSTRIES LTD. MADE IN JAPAN
 2131 MINAMIKATA, KAWAUCHI-CHO, ONSEN-GUN, EHIME 791-0396 JAPAN

30 ± 0.1
 33 ± 0.15

Base: Yellow
 Text, Line: Black

NOTES

1. USE UL AND CSA APPROVED MATERIAL.

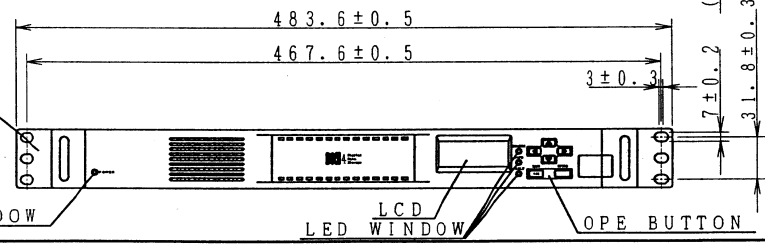
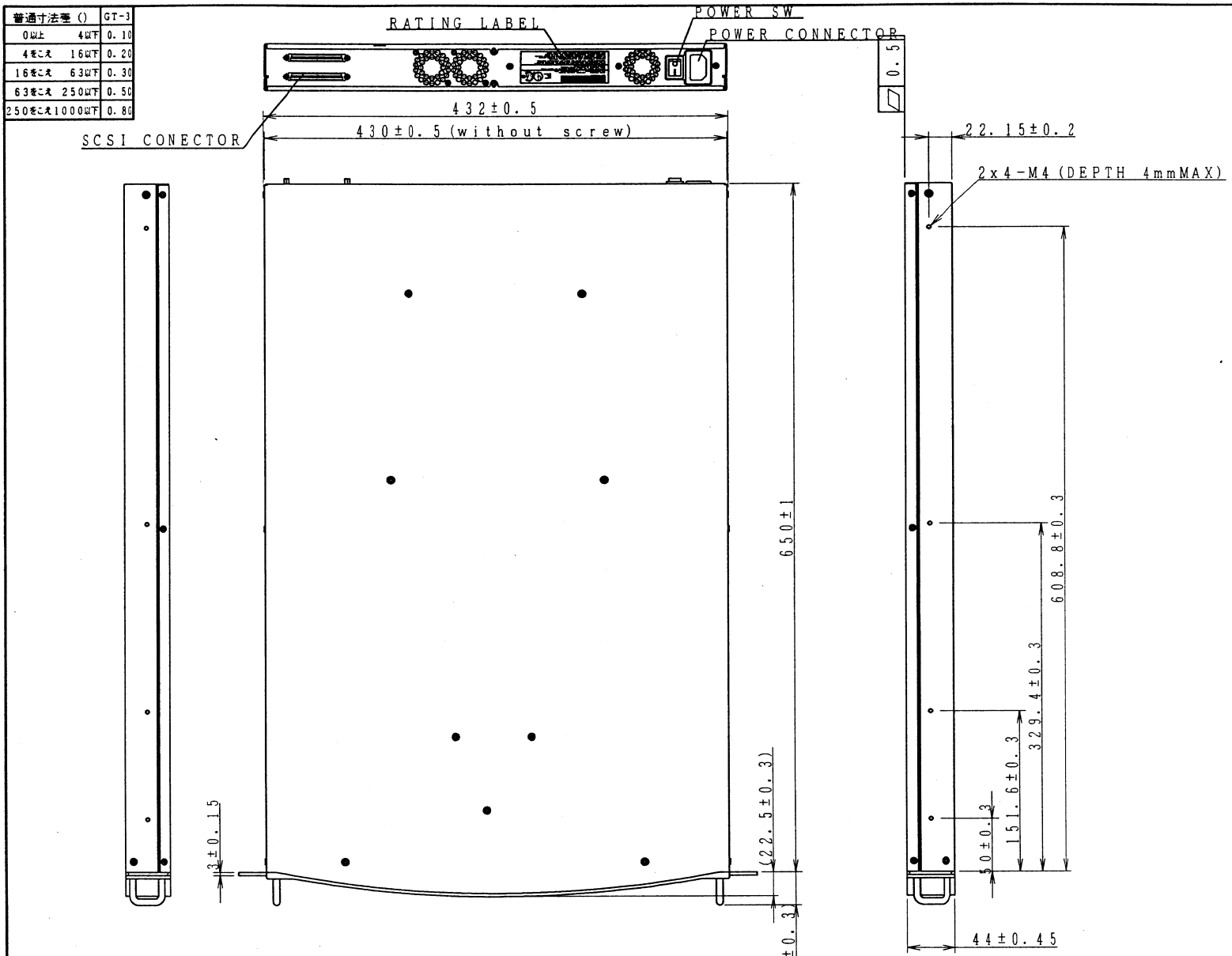
BASE: FR1013-50 (LINTEC) PET Film
 ADHESIVE: ACRYLIC EMULSION

Sym.	Process	Material & Size	qty.	Remark	Model
			1		LKM-SD21-S
CAD No.	Parts No.				
Scale	Designed	Drawn	Traced	Checked	Approval
1:1	T. Ochi	T. Ochi			
	Sep. 2, 2002	Sep. 2, 2002			
					Name
					RATING LABEL
					No.



普通寸法種 ()	GT-3
0以上	4以下 0.10
4電次元	16以下 0.20
16電次元	63以下 0.30
63電次元	250以下 0.50
250電次元	1000以下 0.80

日付	符号	内容	担当



02.05.20	1Uライブラリー	1	宮本
日付	適用機種	員数	設計
部品番 LKM-SD21-S			
製品外形主要寸法図			

材質	規格	加工	重量	寸法	部品番
1	設計	製	検	承	GROUP, USER
4	計	図	図	認	FILE NAME
02.05.20	02.05.20				

FCC LABEL

