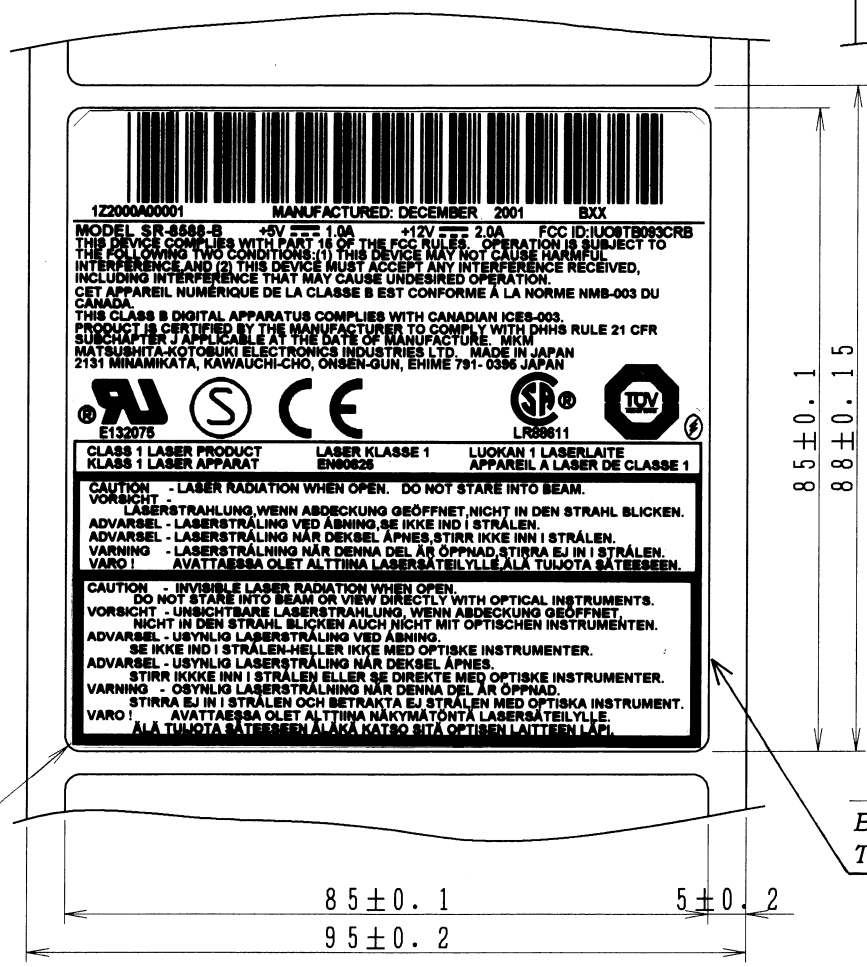
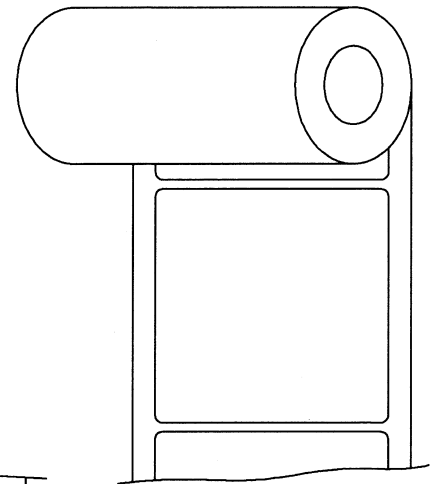


Tolerans (±)	Sym.	Date	Revision	Signed	Checked
From 0 to 4 0.10					
From 4 to 16 0.20					
From 16 to 63 0.30					
From 63 to 250 0.50					
From 250 to 1000 0.80					



A-R 2

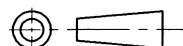
Base : Yellow
Text, Line : Black

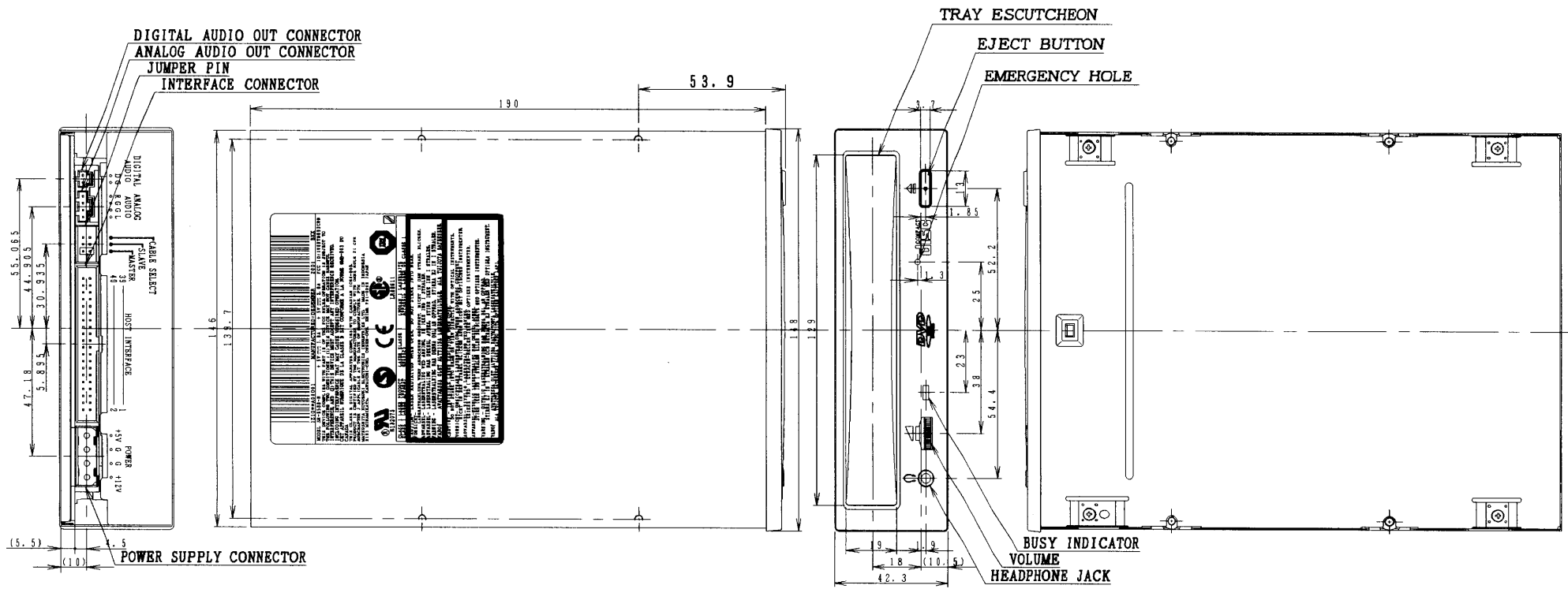
NOTES

1. USE UL AND CSA APPROVED MATERIAL.

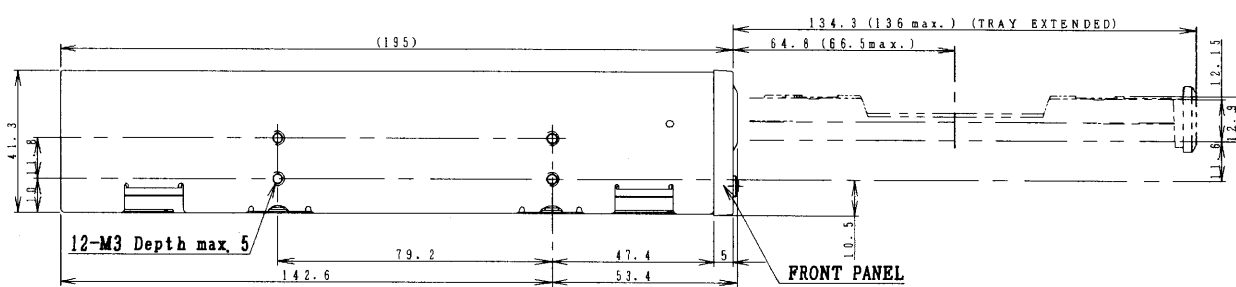
BASE : FR1013-50 (LINTEC) PET Film
ADHESIVE : ACRYLIC EMULSION

Sym.	Process	Material & Size	qty.	Remark	Model
			1		SR-8588-B
CAD No.					Parts No.
Scale	Designed	Drawn	Traced	Checked	Approval
1:1	T. Ochi	T. Ochi			
	2001.12.20	2001.12.20			
				Name	RATING LABEL
				No.	





(5.5)
 (1.0)
 POWER SUPPLY CONNECTOR



SR-8588-B DVD-ROM DRIVE APPEARANCE
 MATSUSHITA KOTOBUKI ELECTRONICS INDUSTRIES 12.10.2001