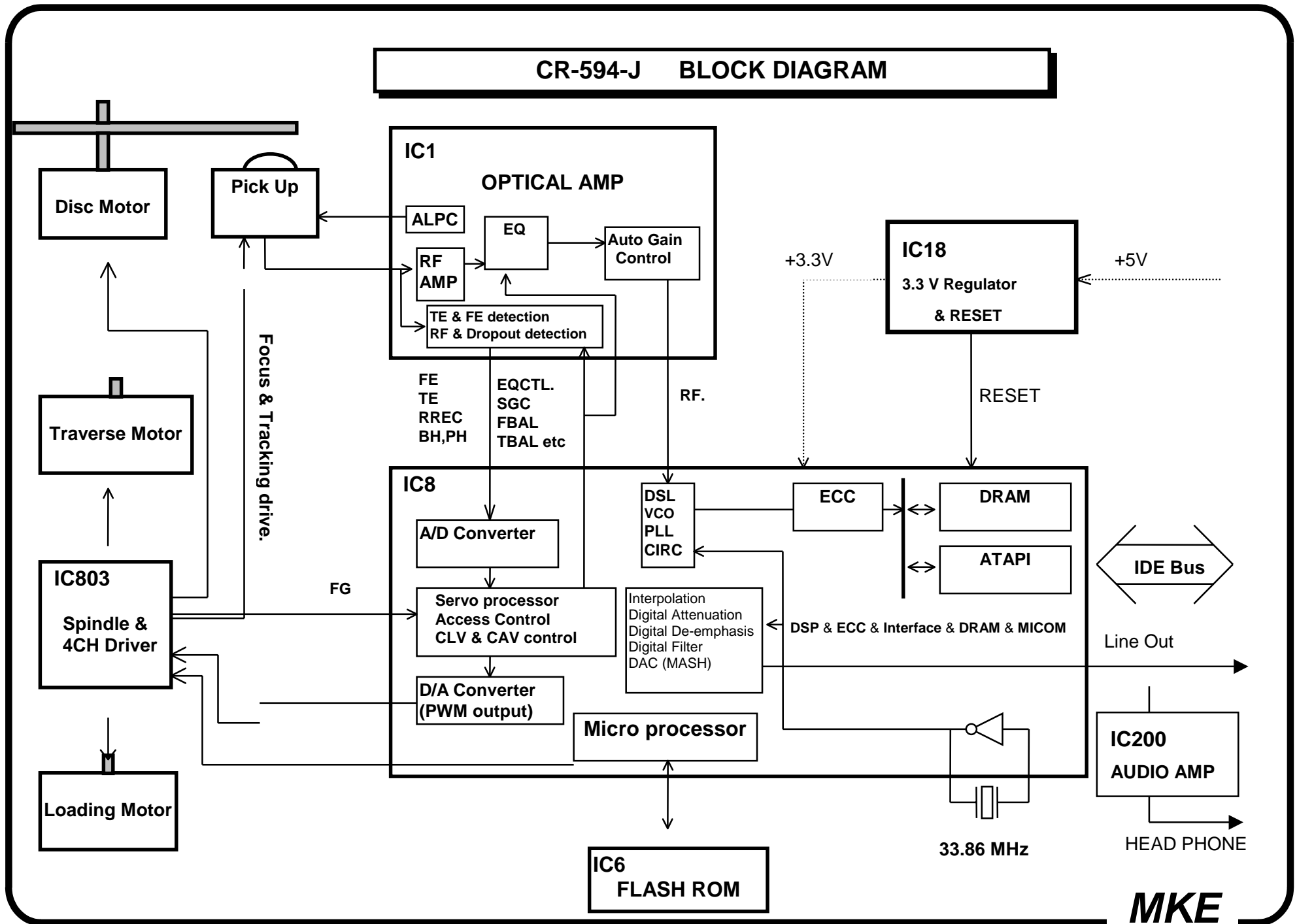


# CR-594-J BLOCK DIAGRAM



**MKE**