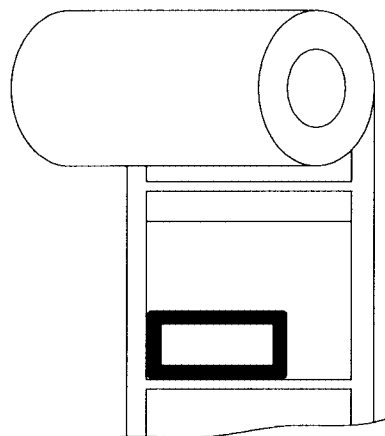
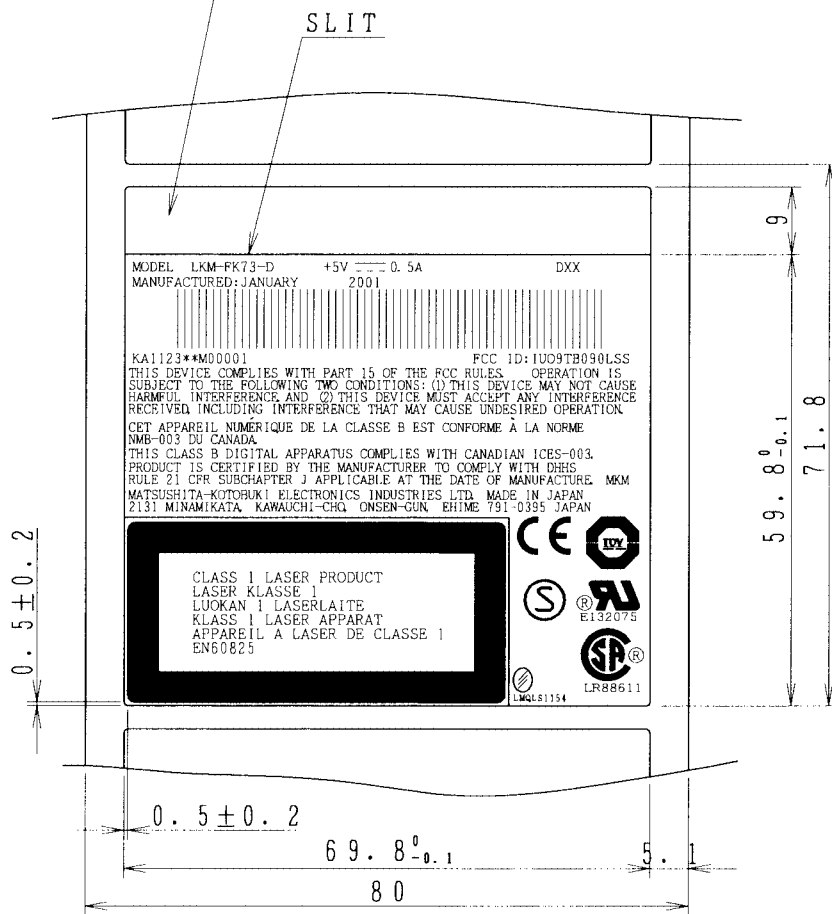


Tolerans (+)	Sym.	Date	Revision	Signed	Checked
From 0 to 4 0.10					
From 4 to 16 0.20					
From 16 to 63 0.30					
From 63 to 250 0.50					
From 250 to 1000 0.80					



Base:White
Text, Logo, Line:Black



NOTES

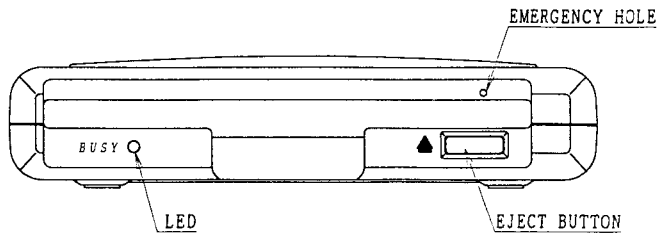
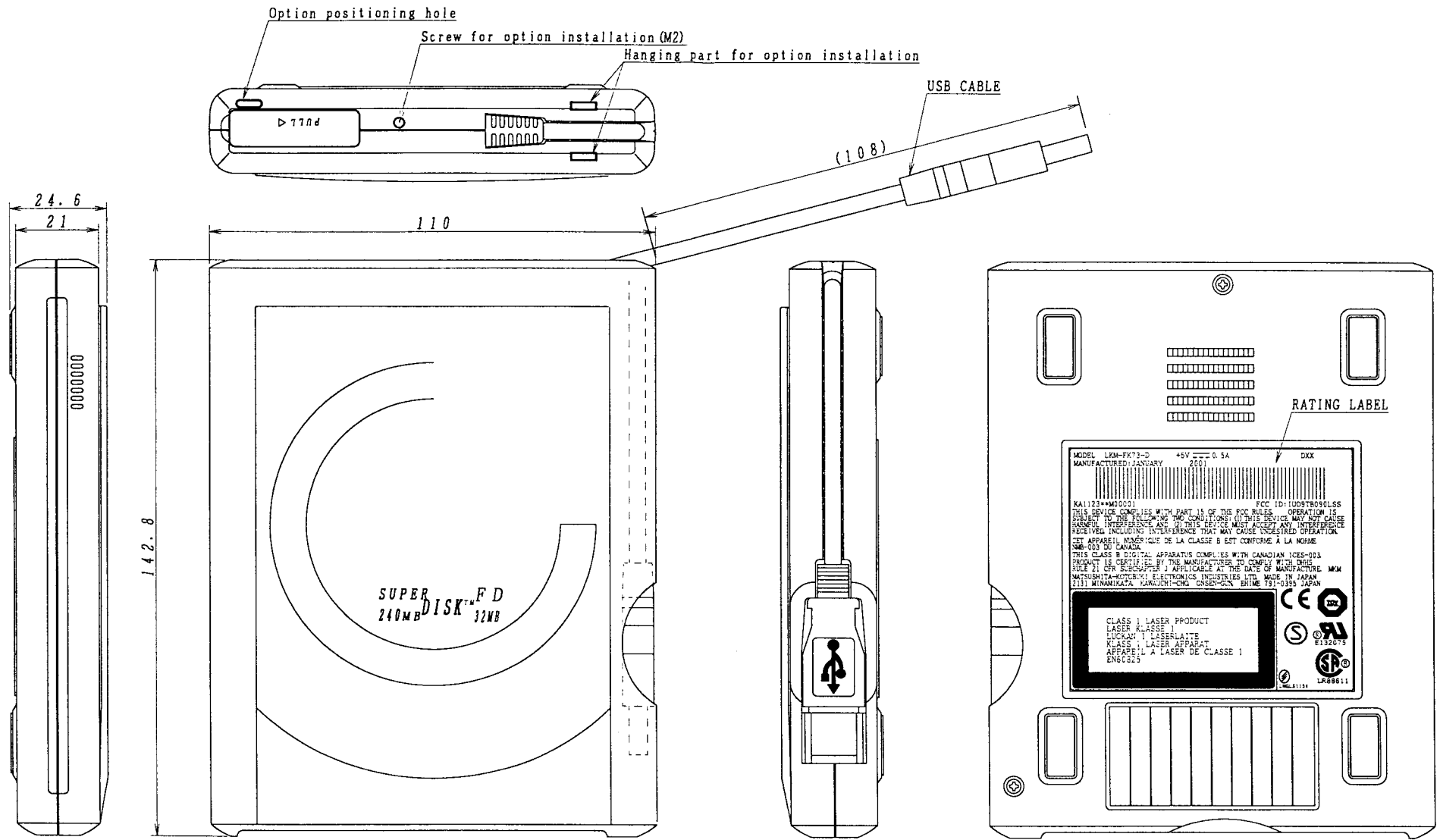
1. USE UL AND CSA APPROVED MATERIAL.
2. USE MKE'S ARTWARK FILM.

SEAL
PRINTING

BASE : WOODFREE PAPER 100μ
LAMINATE : POLYESTER FILM 25μ
ADHESIVE : ACRYLIC EMULSION

Sym.	Process	Material & Size	qty.	Remark	Model
					LKM-FK73-D
CAD No.					Parts No.
Scale	Designed	Drawn	Traced	Checked	Approval
1:1	G. Kusumoto	G. Kusumoto			
	2000. 12. 25	2000. 12. 25			
				Name	RATING LABEL
				No.	





					LKM-FK73-D	
Sym.	Process	Material & Size	Qty.	Remark	Model	
CAD No.					Parts No.	
Scale	Designed	Drawn	Traced	Checked	Approval	
1:1	<i>T. Nishimura</i>	<i>T. Nishimura</i>		<i>Y. Shinouchi</i>	<i>M. Tohachika</i>	
	Jan. 26, 2001	Jan. 26, 2001		Jan. 26, 2001	Jan. 26, 2001	
					Name	外觀図 (LKM-FK73-D)
					No.	