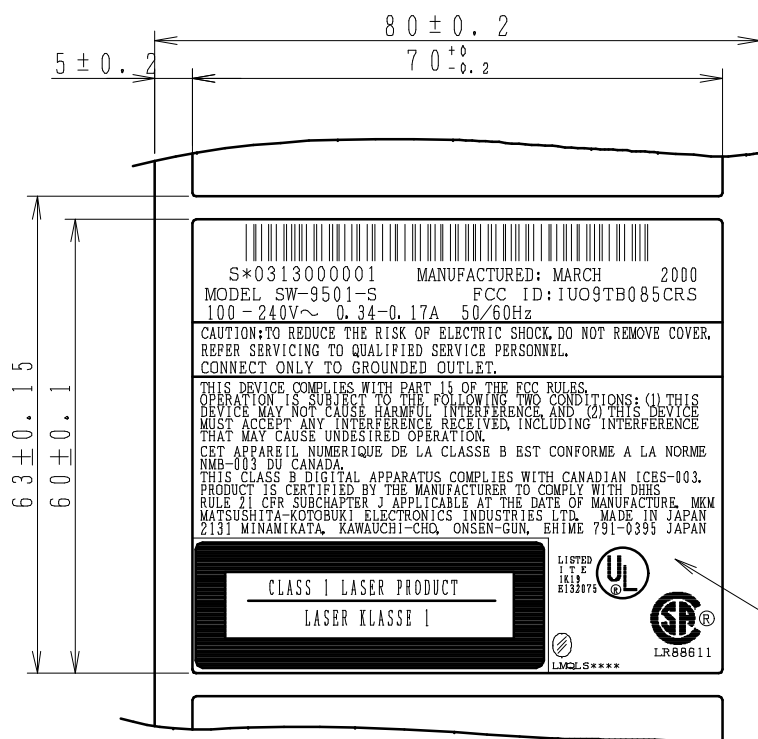
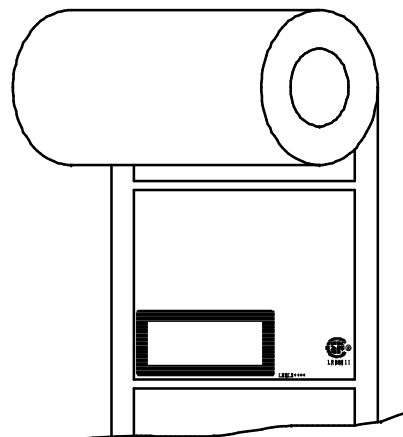


Commercial Tolerance	Sym.	Date	Revision	Signed	Checked
JIS GT-3					



Base: White
Text, Logo, Line: Black

NOTES

1. USE UL AND CSA APPROVED MATERIAL.
2. USE MKE'S ARTWORK FILM.

SEAL
PRINTING

BASE: SWUL-W 80μ
ADHESIVE: ACRYLIC EMULSION

Sym.	Process	Material & Size	1	Remark	SW-9501-S
CAD No.					Parts No.
Scale	Designed	Drawn	Traced	Checked	Approved
1:1					
					Name
					RATING LABEL
					No.

