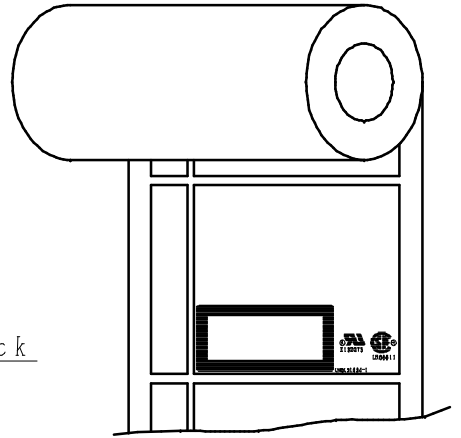
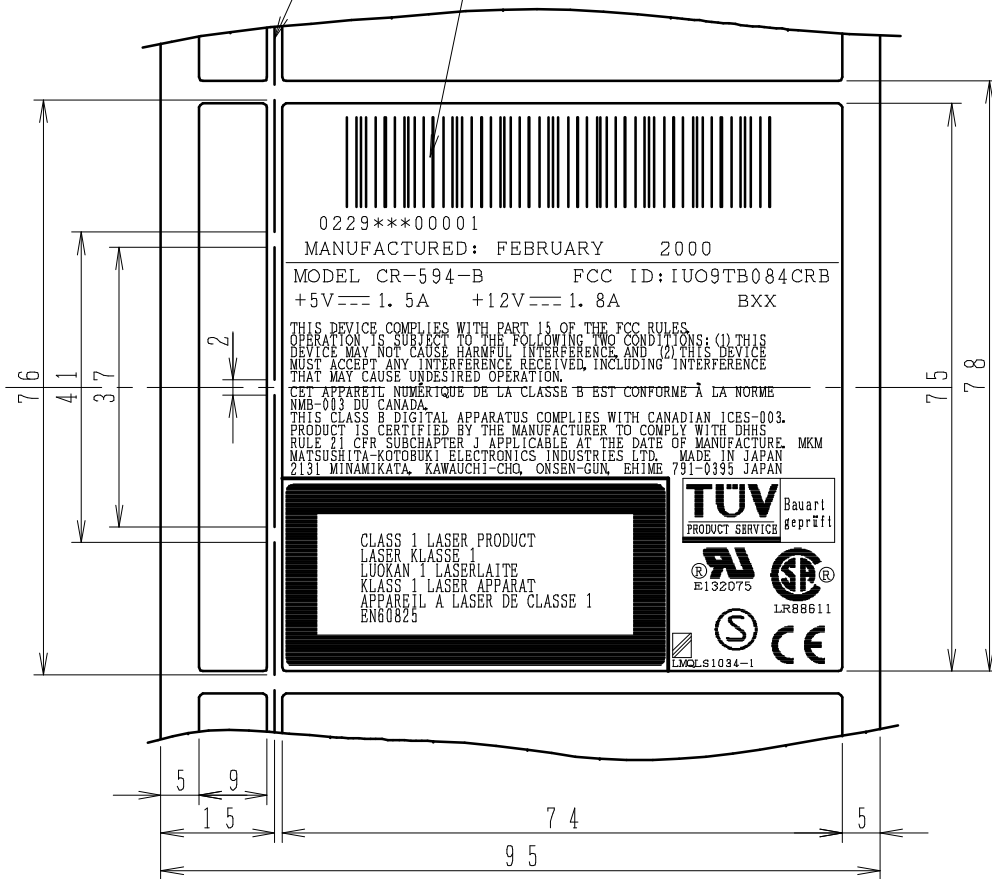


Commercial Tolerance	Sym.	Date	Revision	Signed	Checked
JIS GT-3					



Base: White  
Text, Logo, Line: Black

スリット加工



NOTES

1. USE UL AND CSA APPROVED MATERIAL.
2. USE MKE'S ARTWARK FILM.

SEAL  
PRINTING

BASE: SWUL-W 80μ  
ADHESIVE: ACRYLIC EMULSION

Sym.	Process	Material & Size	1	Remark	CR-594-B Model		
CAD No.					Parts No.		
Scale	Designed	Drawn	Traced	Checked	Approved	Name	RATING LABEL
1:1						No.	