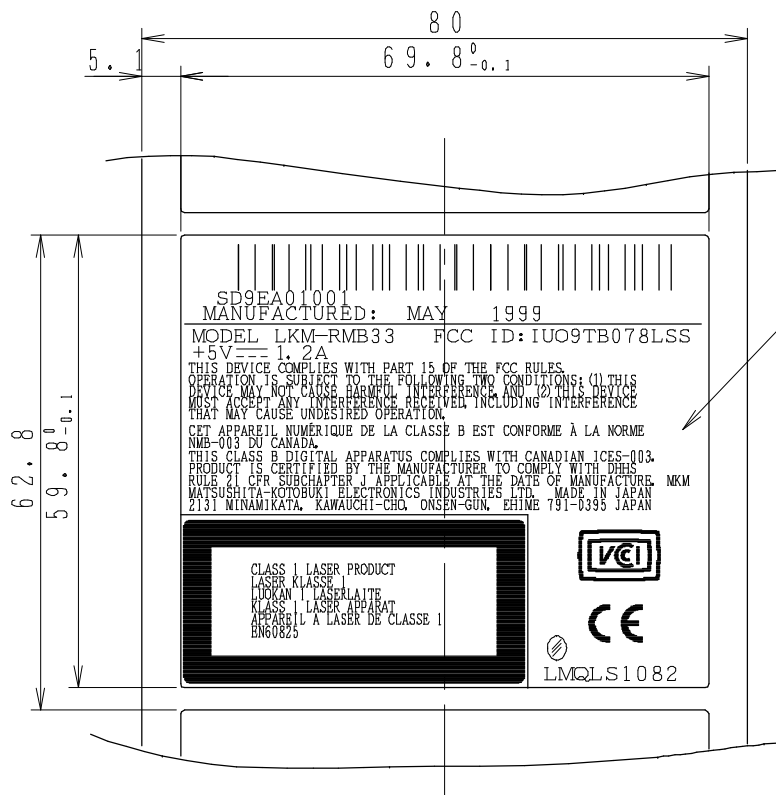
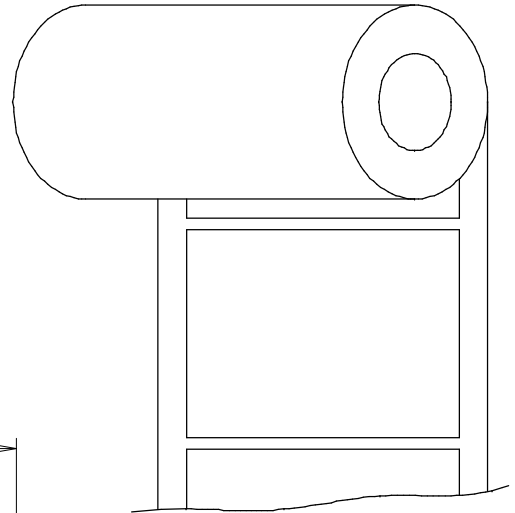


| | | | | | |
|----------------------|------|------|----------|--------|---------|
| Commercial Tolerance | Sym. | Date | Revision | Signed | Checked |
| JIS GT-3 | | | | | |



BASE: WHITE
TEXT, LOGO, LINE: BLACK

NOTES

1. USE UL AND CSA APPROVED MATERIAL.
2. USE MKE'S ARTWORK FILM.

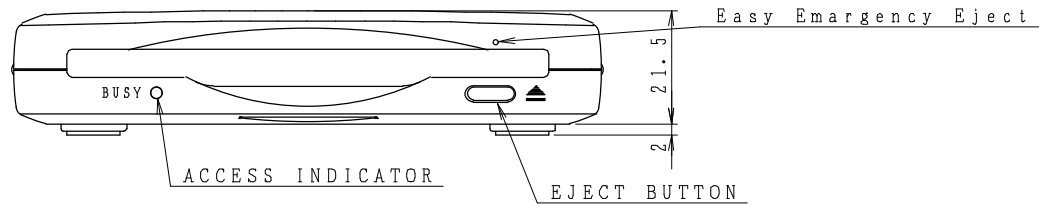
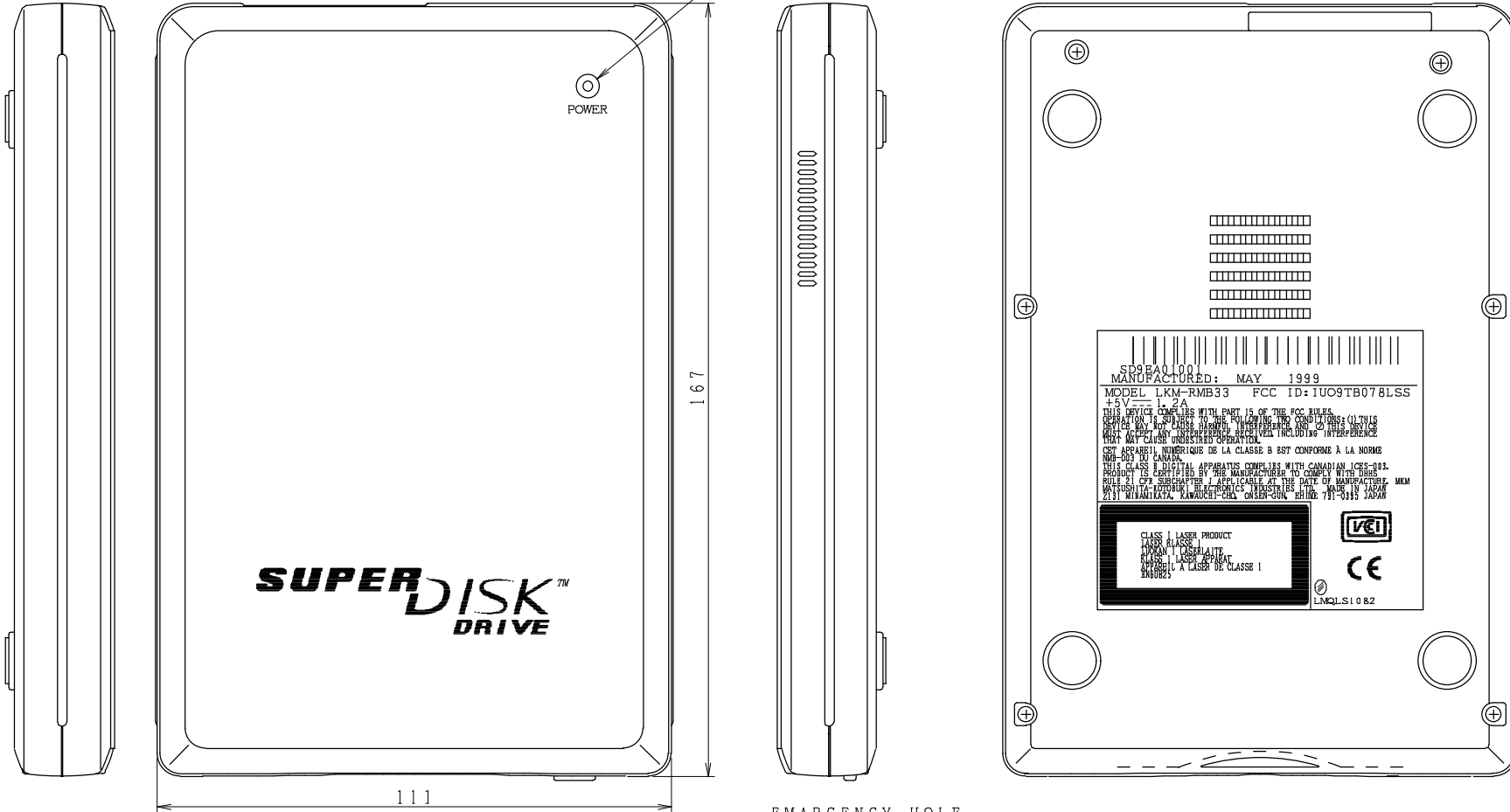
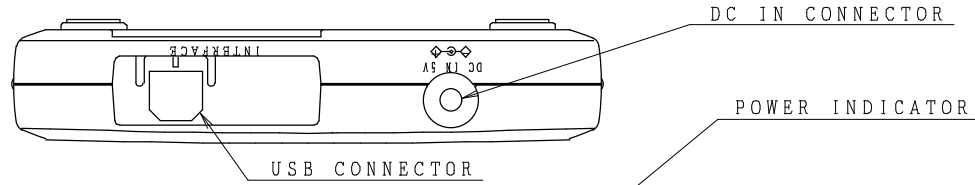
SEAL
PRINTING

BASE: エポ ハイパー 80μ
ADHESIVE: ACRYLIC EMULSION

| | | | | | | | |
|---------|-----------|-----------------|--------|---------|----------|-----------|--------------|
| Sym. | Process | Material & Size | 1 | qty. | Remark | LKM-RMB33 | Model |
| CAD No. | | | | | | Parts No. | LMQLS1082 |
| Scale | Designed | Drawn | Traced | Checked | Approved | Name | RATING LABEL |
| 1:1 | T. Kimura | T. Kimura | | | | No. | 4F6-0261 |
| | '99.5.13 | '99.5.13 | | | | | |



LKM-RMB33 Dimensions



SDCEA0100

MANUFACTURED: MAY 1999

MODEL LKM-RMB33 FCC ID:1UO9TB078LSS

+5V --- 1.2A

THIS DEVICE COMPLIES WITH PART 15 OF THE FCC RULES.
REPAIR OR REPAIR TO THIS DEVICE MUST BE PERFORMED UNDER THE FOLLOWING CONDITIONS: (1) THIS
REPAIR OR REPAIR MUST BE PERFORMED BY A QUALIFIED SERVICE PERSONNEL WHOSE TRAINING AND EXPERIENCE
MUST BE CAPABLE OF IDENTIFYING AND CORRECTING ANY DEFECTS THAT MAY CAUSE UNDESIRABLE OPERATION.

CET APPAREIL NUMÉRIQUE DE LA CLASSE B EST CONFORME À LA NORME
NBS-323 DU CANADA.

THIS CLASS 1 DIGITAL APPARATUS COMPLIES WITH CANADIAN ICES-002.
REPAIR OR REPAIR TO THIS DEVICE MUST BE PERFORMED UNDER THE FOLLOWING CONDITIONS: (1) THIS
REPAIR OR REPAIR MUST BE PERFORMED BY A QUALIFIED SERVICE PERSONNEL WHOSE TRAINING AND EXPERIENCE
MUST BE CAPABLE OF IDENTIFYING AND CORRECTING ANY DEFECTS THAT MAY CAUSE UNDESIRABLE OPERATION.

PRODOTTO E CERTIFICATO IN ACCORDO CON LE CONDIZIONI DI CONFORMITÀ CON LA NORMA
NBS-323 DEL CANADA.

CLASS 1 LASER PRODUCT
LASER CLASS 1
MOUNTAIN LASER LASER
CLASS 1 LASER PRODUCT
APPROX. A LASER DE CLASSE 1
EN60825

LMQLS1082