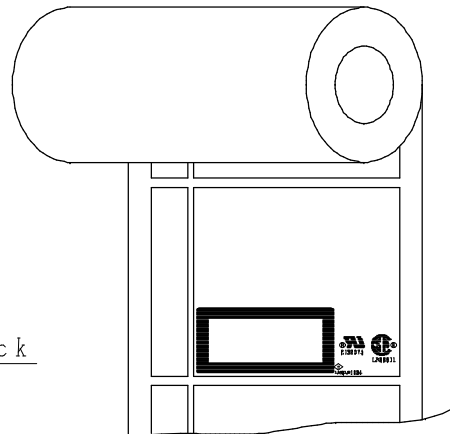
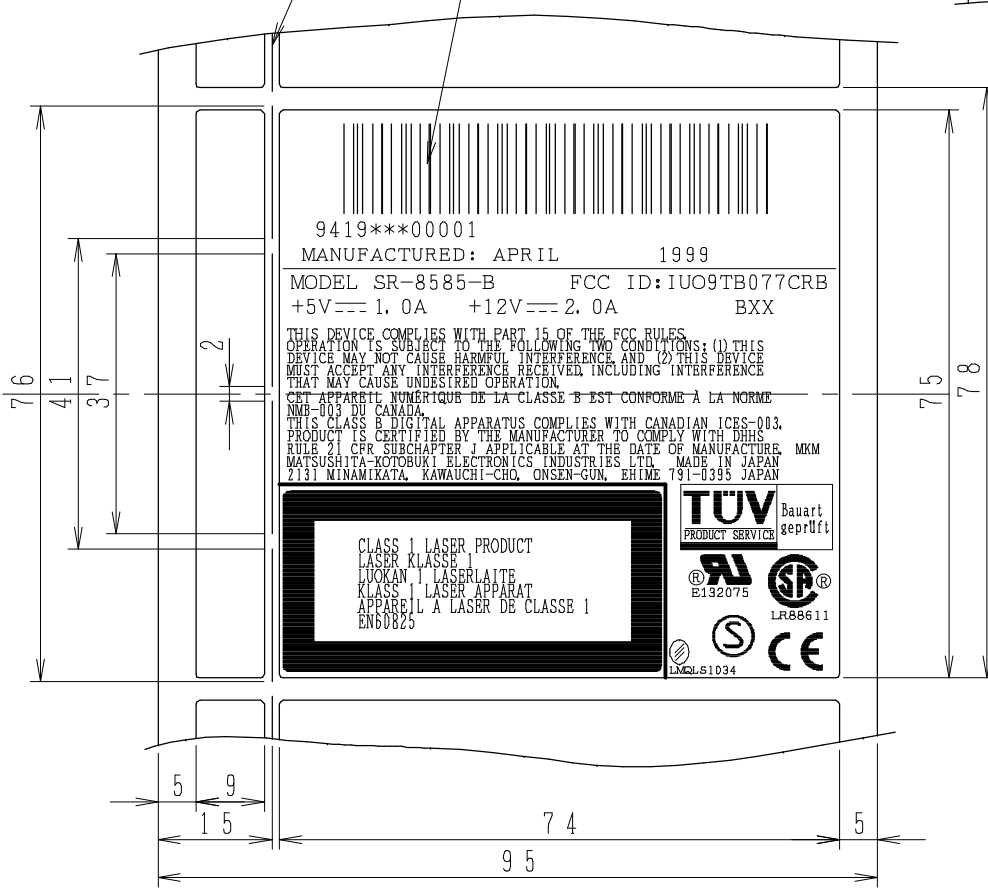


Commercial Tolerance	Sym.	Date	Revision	Signed	Checked
JIS GT-3					



Base: White
Text, Logo, Line: Black

スリット加工



NOTES

1. USE UL AND CSA APPROVED MATERIAL.
2. USE MKE'S ARTWORK FILM.

SEAL
PRINTING

BASE: SWUL-W 80μ
ADHESIVE: ACRYLIC EMULSION

Sym.	Process	Material & Size	1	Remark	SR-8585-B
			qty.		Model
CAD No.	Scale			Parts No.	RATING LABEL
	Designed	Drawn	Traced	Name	
	Checked	Approved			
1:1					

