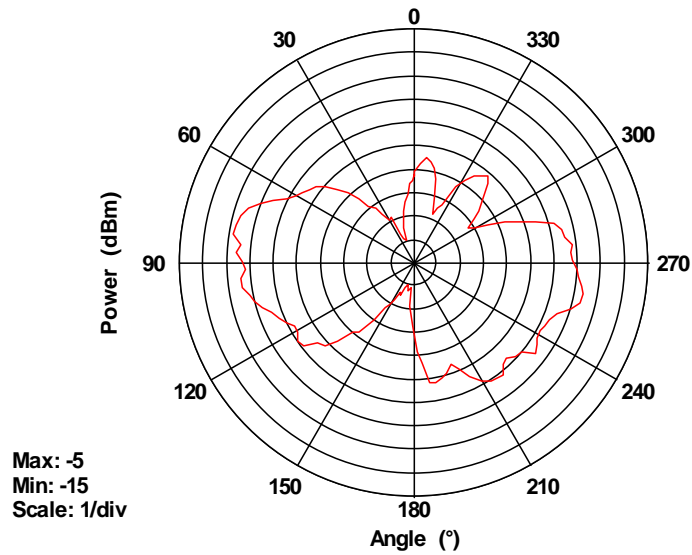

CCS WUGU 2.4G Antenna Pattern

Antenna Gain: -1.92 dBi

Antenna Type: PIFA antenna

WLAN_L_VERTICAL

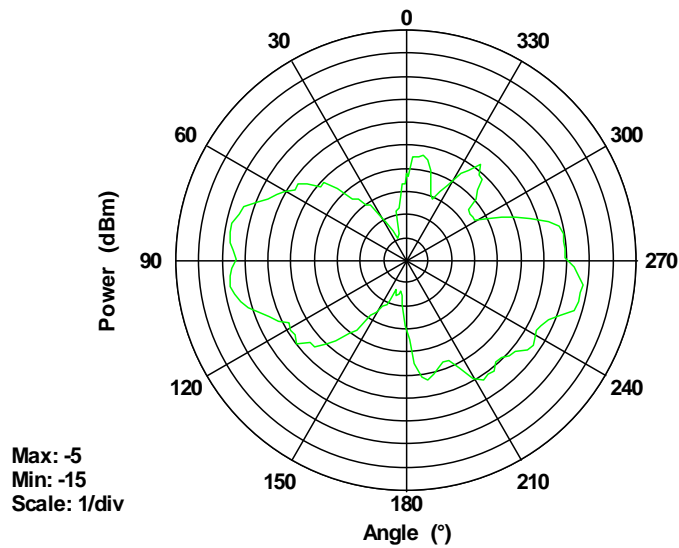
H Plane Pattern



2412 MHz

Frequency 2412 MHz

H Plane Pattern

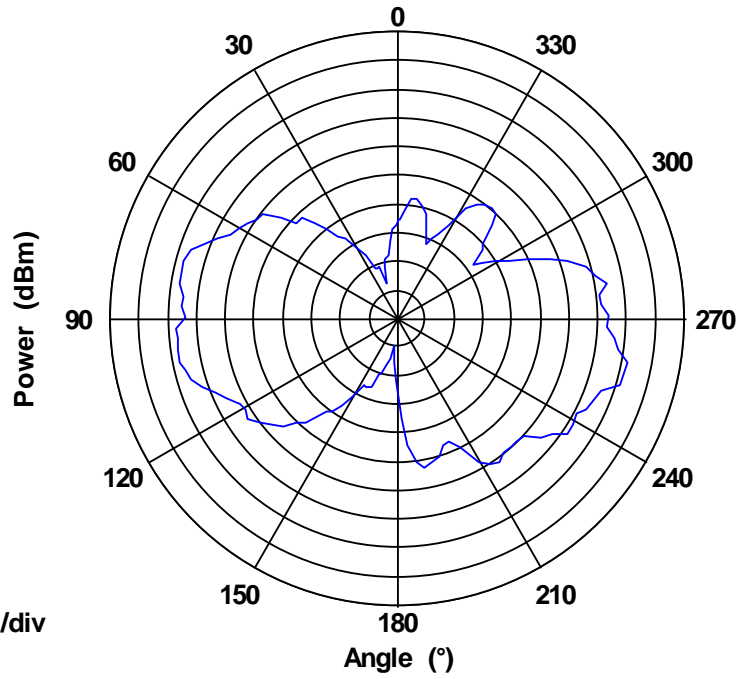


2417 MHz

Frequency 2417 MHz



H Plane Pattern

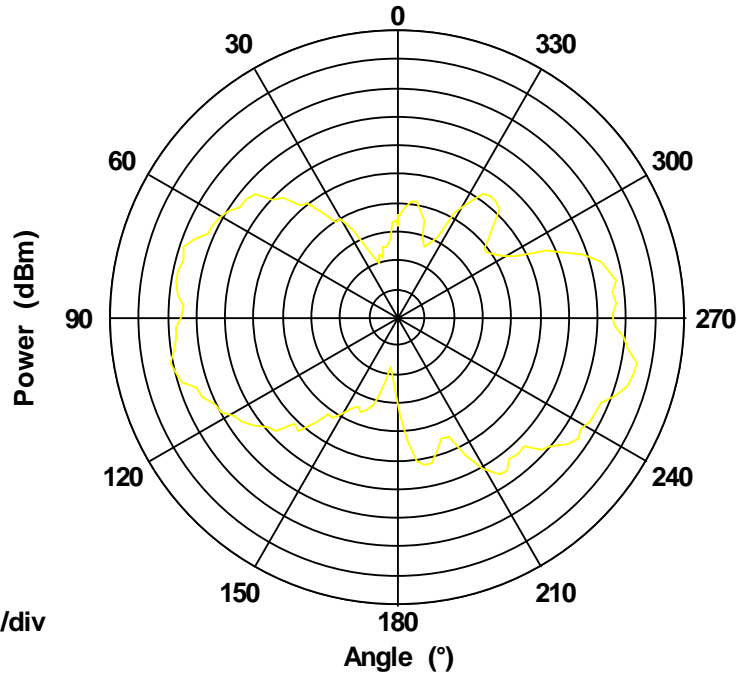


Max: -5
Min: -15
Scale: 1/div

2422 MHz

Frequency 2422 MHz

H Plane Pattern



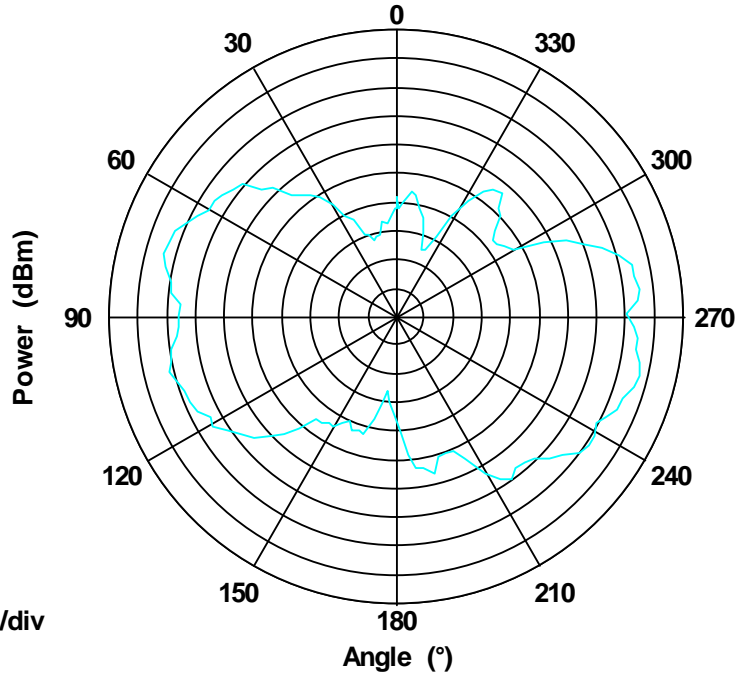
Max: -5
Min: -15
Scale: 1/div

2427 MHz

Frequency 2427 MHz



H Plane Pattern

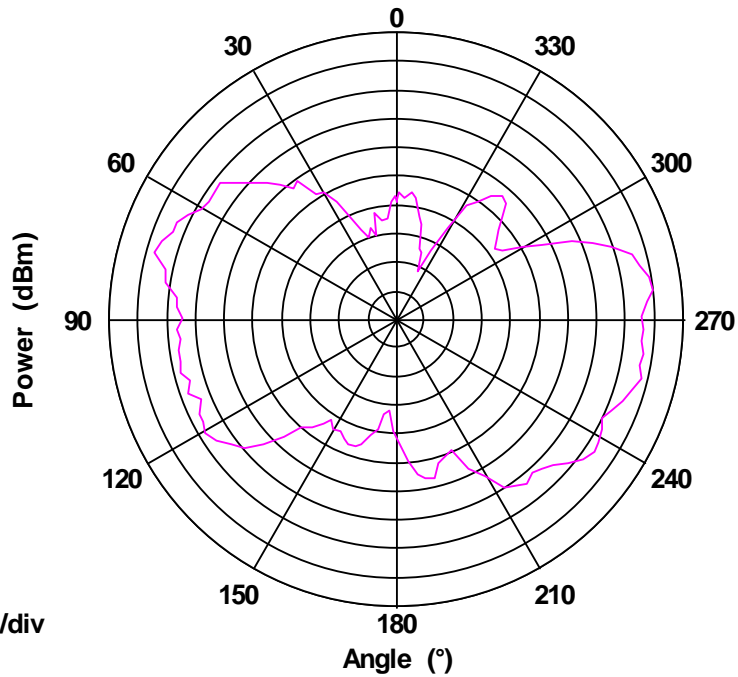


Max: -5
Min: -15
Scale: 1/div

2432 MHz

Frequency 2432 MHz

H Plane Pattern



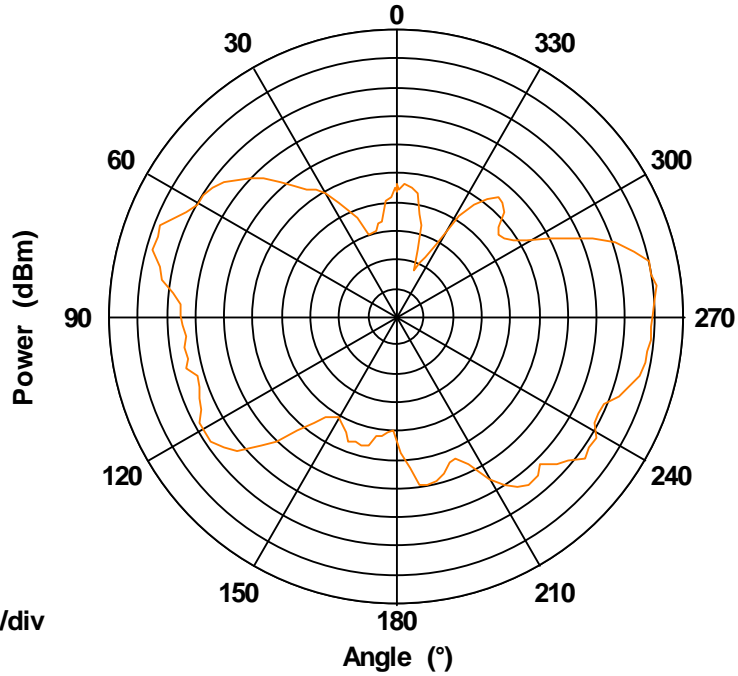
Max: -5
Min: -15
Scale: 1/div

2437 MHz

Frequency 2437 MHz



H Plane Pattern

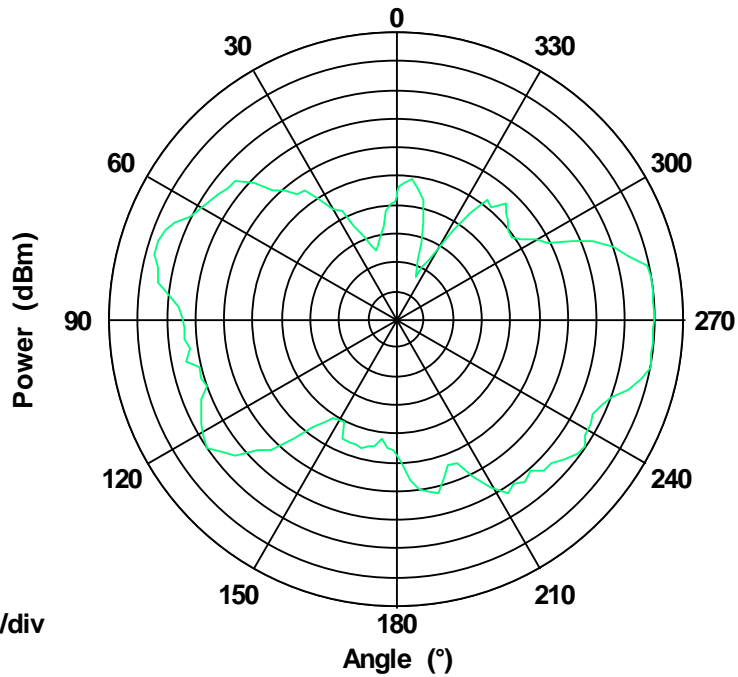


Max: -5
Min: -15
Scale: 1/div

2442 MHz

Frequency 2442 MHz

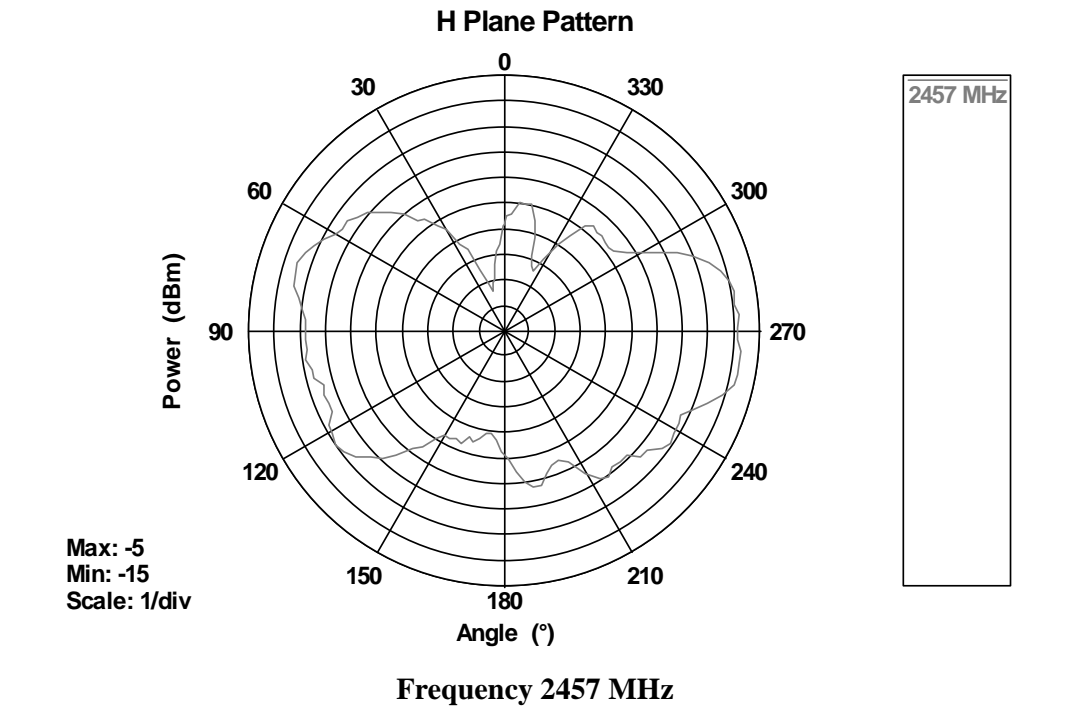
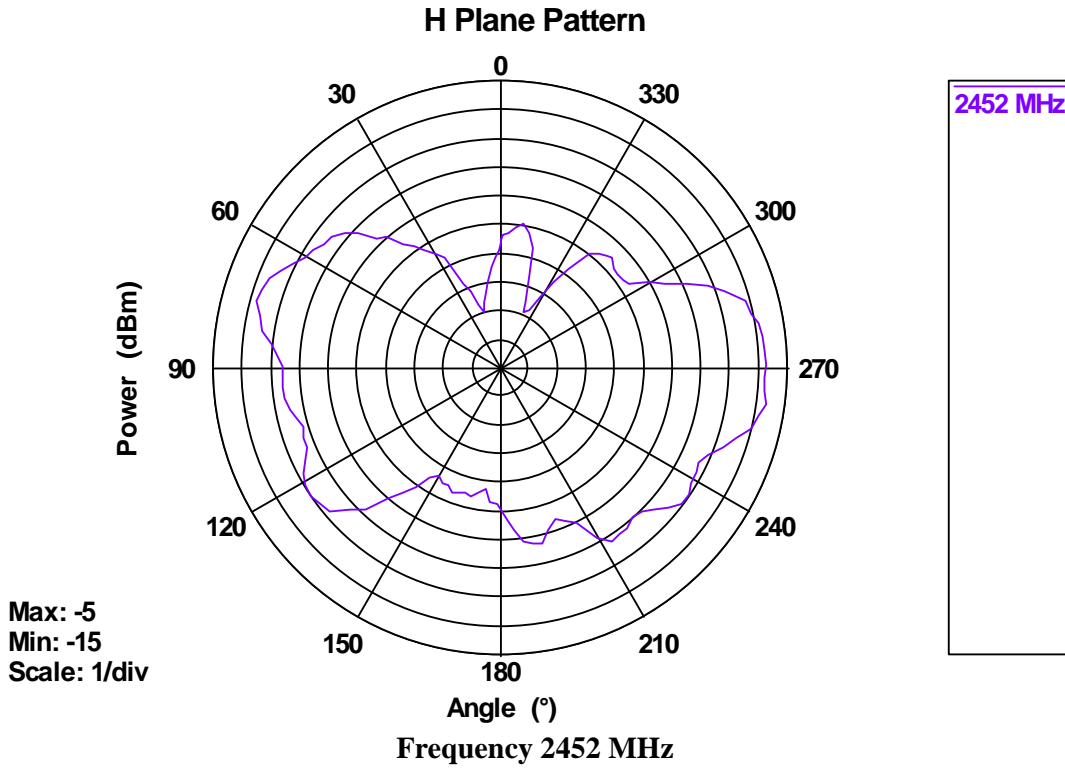
H Plane Pattern



Max: -5
Min: -15
Scale: 1/div

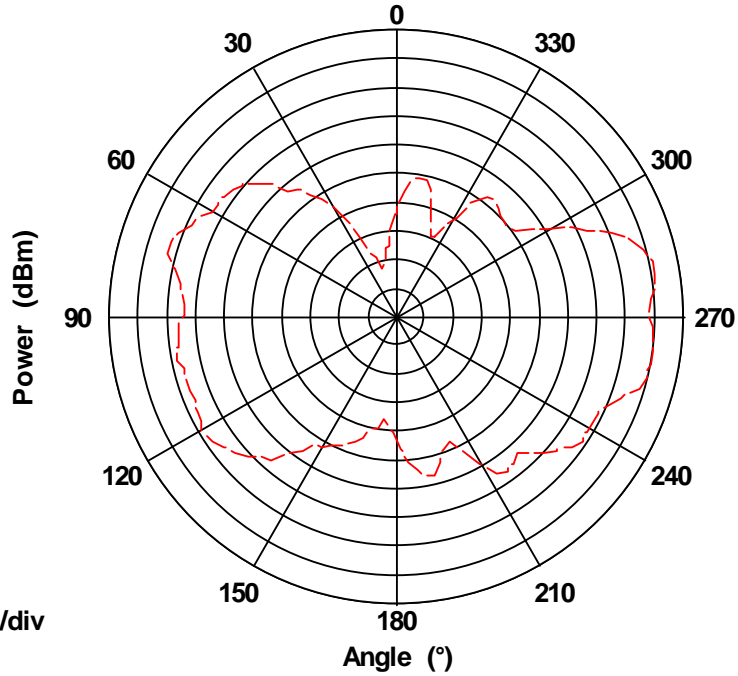
2447 MHz

Frequency 2447 MHz





H Plane Pattern

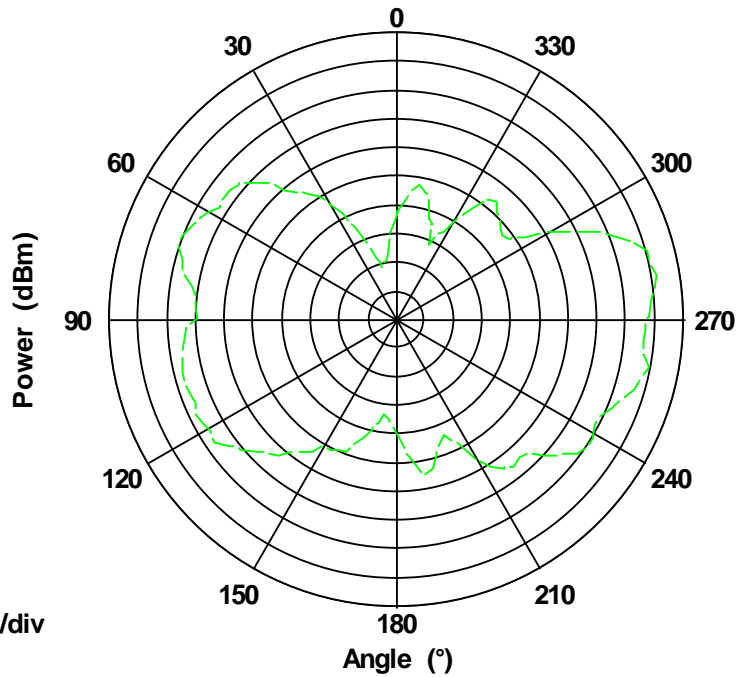


Max: -5
Min: -15
Scale: 1/div

2462 MHz

Frequency 2462 MHz

H Plane Pattern



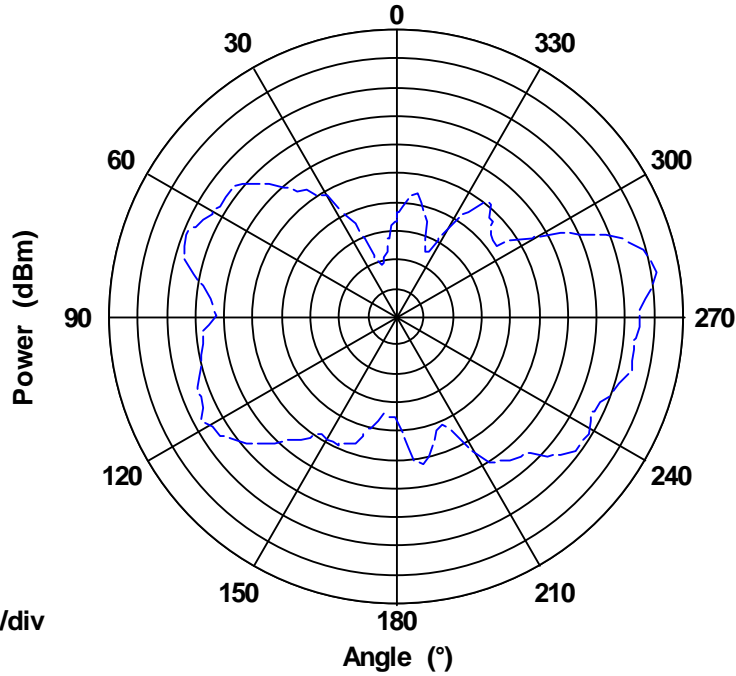
Max: -5
Min: -15
Scale: 1/div

2467 MHz

Frequency 2467 MHz



H Plane Pattern

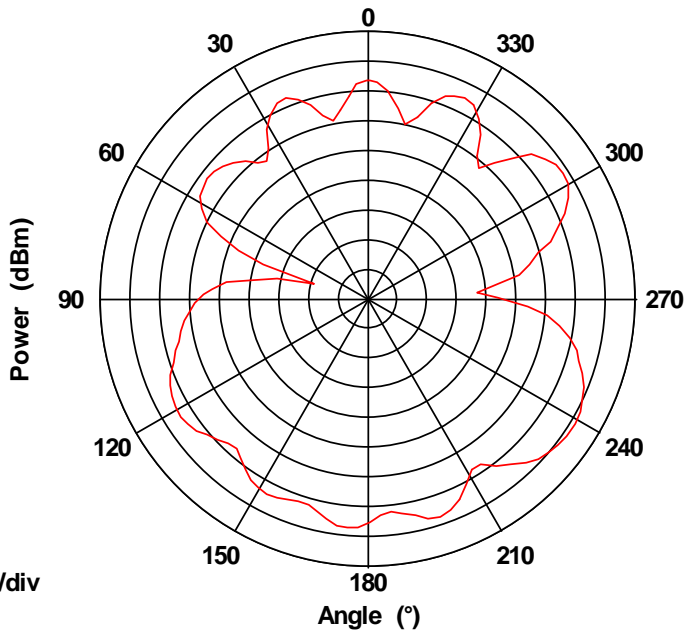


Max: -5
Min: -15
Scale: 1/div

2472 MHz

Frequency 2472 MHz

WLAN_L_HORIZONTAL E Plane Pattern



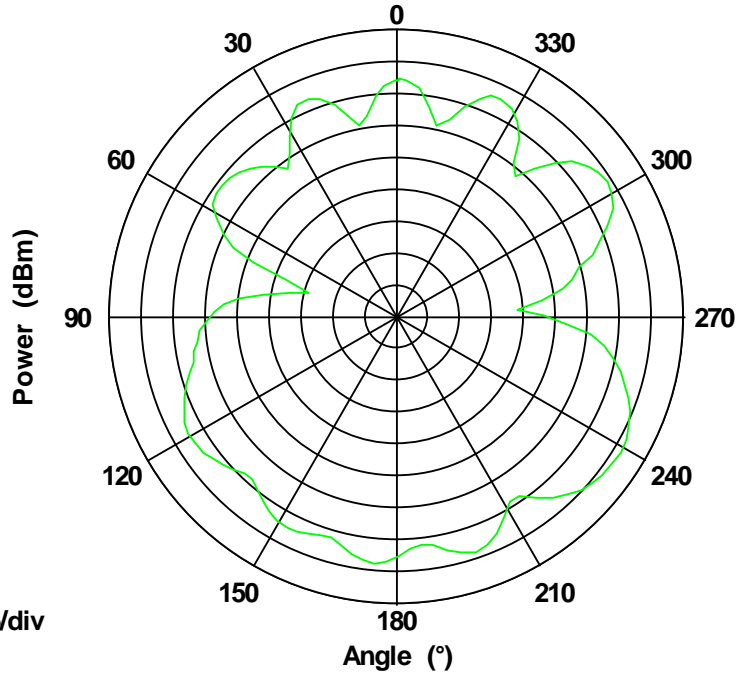
Max: 0
Min: -45
Scale: 5/div

2412 MHz

Frequency 2412 MHz



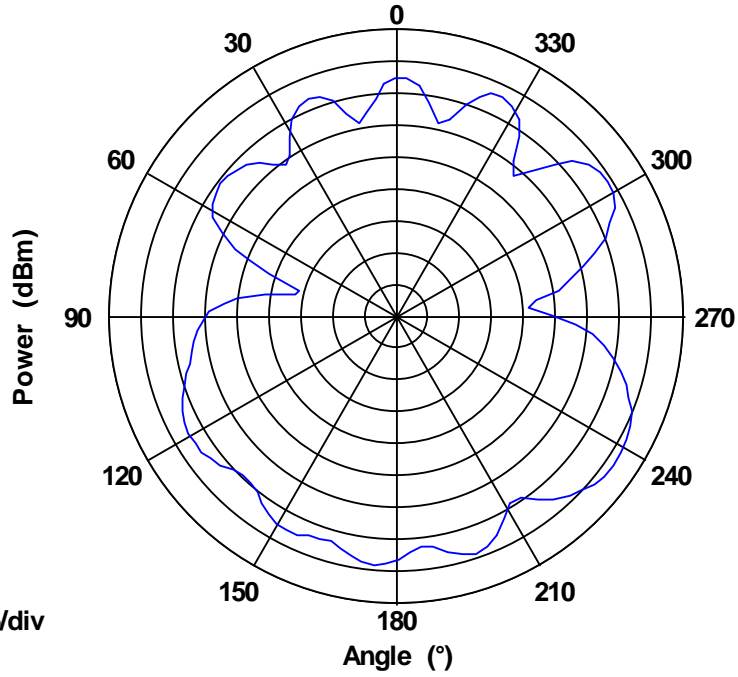
E Plane Pattern



Max: 0
Min: -45
Scale: 5/div

2417 MHz

**Frequency 2417 MHz
E Plane Pattern**



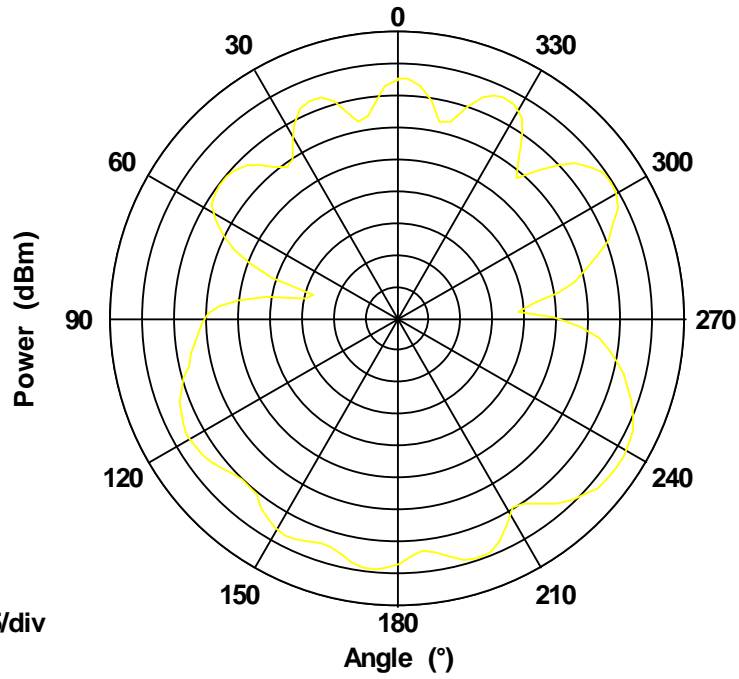
Max: 0
Min: -45
Scale: 5/div

2422 MHz

Frequency 2422 MHz



E Plane Pattern

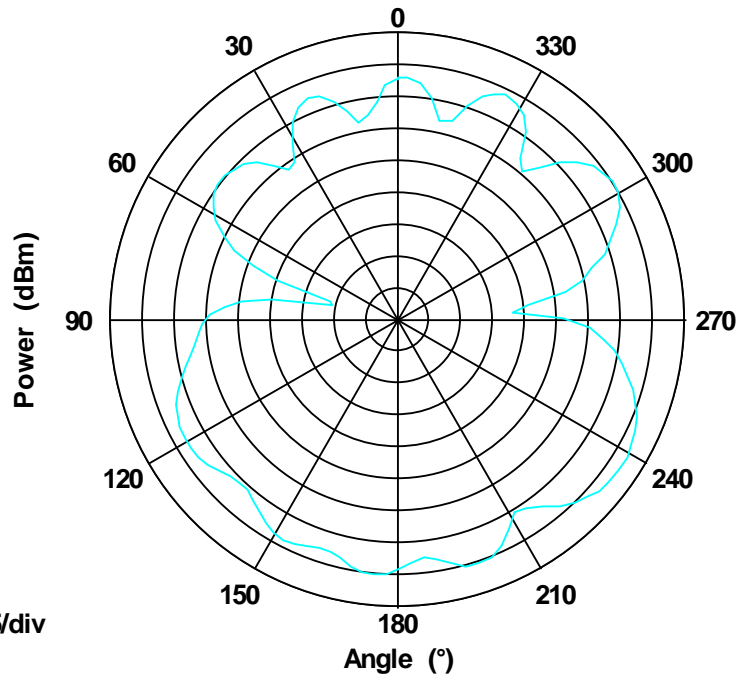


Max: 0
Min: -45
Scale: 5/div

2427 MHz

Frequency 2427 MHz

E Plane Pattern



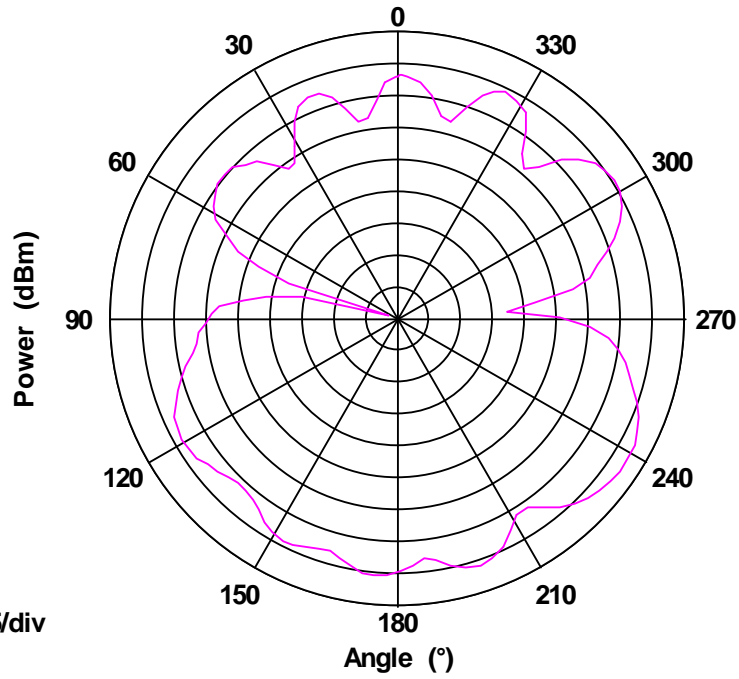
Max: 0
Min: -45
Scale: 5/div

2432 MHz

Frequency 2432 MHz



E Plane Pattern

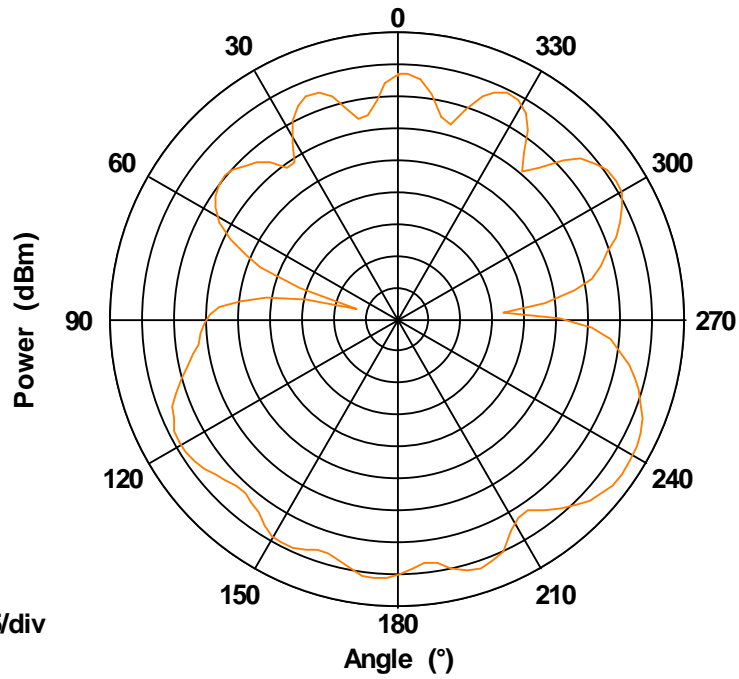


Max: 0
Min: -45
Scale: 5/div

2437 MHz

Frequency 2437 MHz

E Plane Pattern



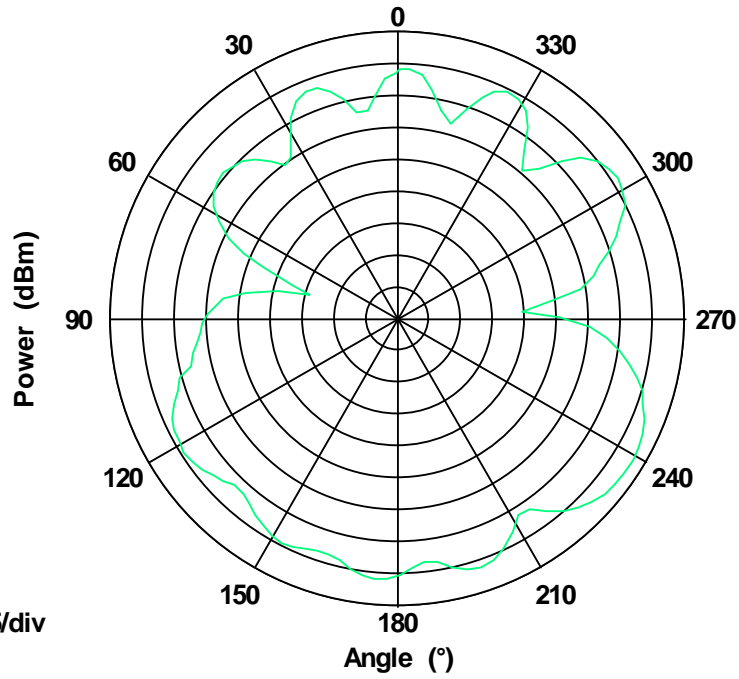
Max: 0
Min: -45
Scale: 5/div

2442 MHz

Frequency 2442 MHz



E Plane Pattern

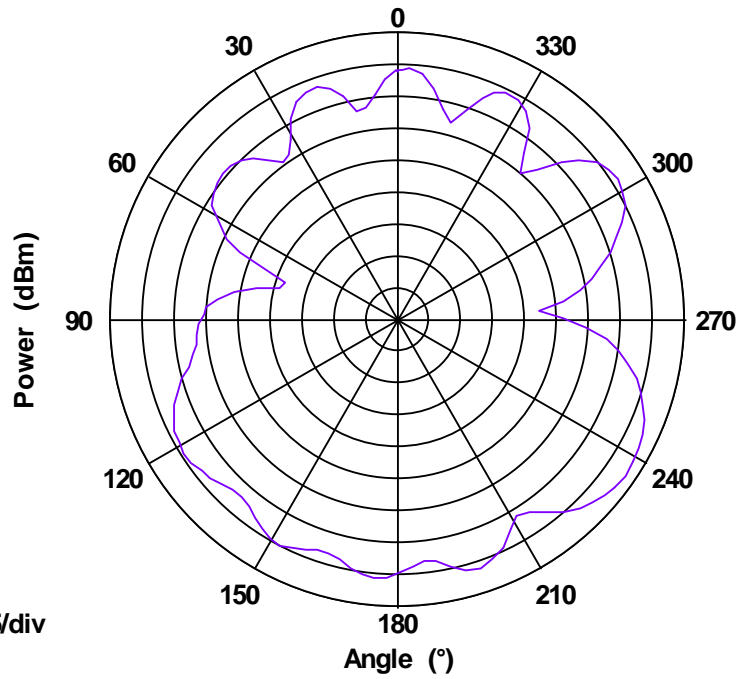


Max: 0
Min: -45
Scale: 5/div

Frequency 2447 MHz

2447 MHz

E Plane Pattern



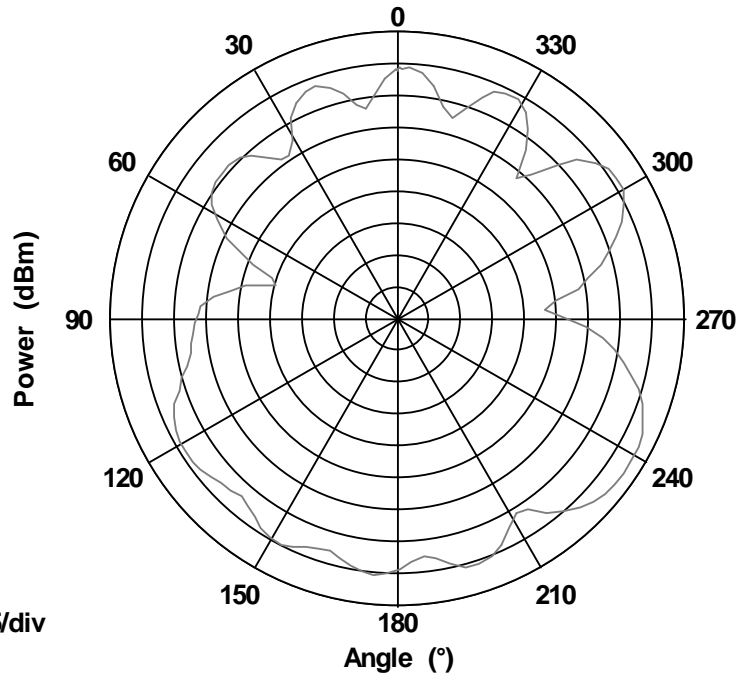
Max: 0
Min: -45
Scale: 5/div

Frequency 2452 MHz

2452 MHz



E Plane Pattern

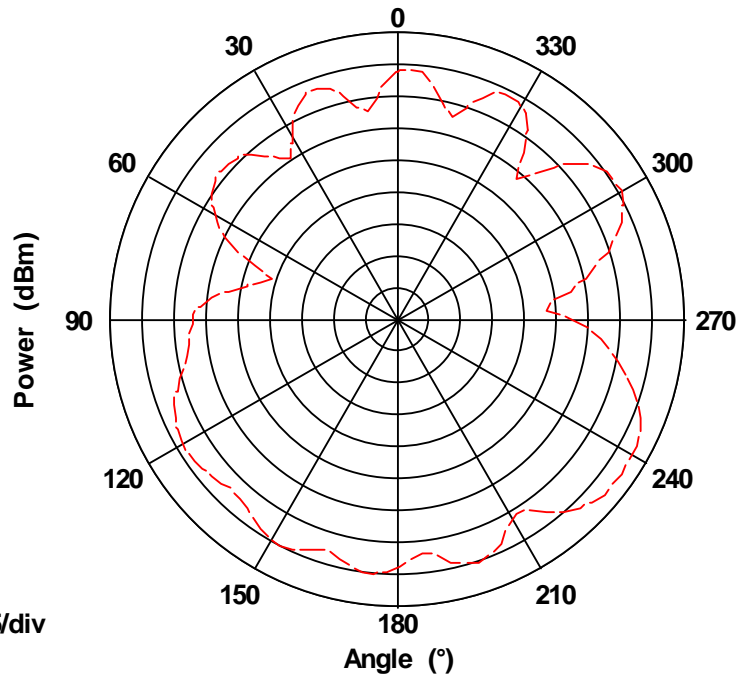


Max: 0
Min: -45
Scale: 5/div

Frequency 2457 MHz

2457 MHz

E Plane Pattern



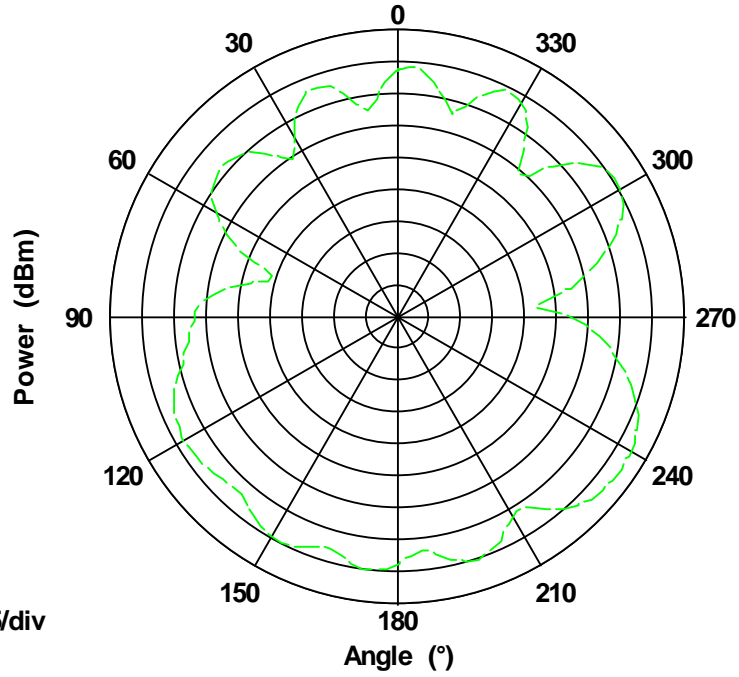
Max: 0
Min: -45
Scale: 5/div

Frequency 2462 MHz

2462 MHz



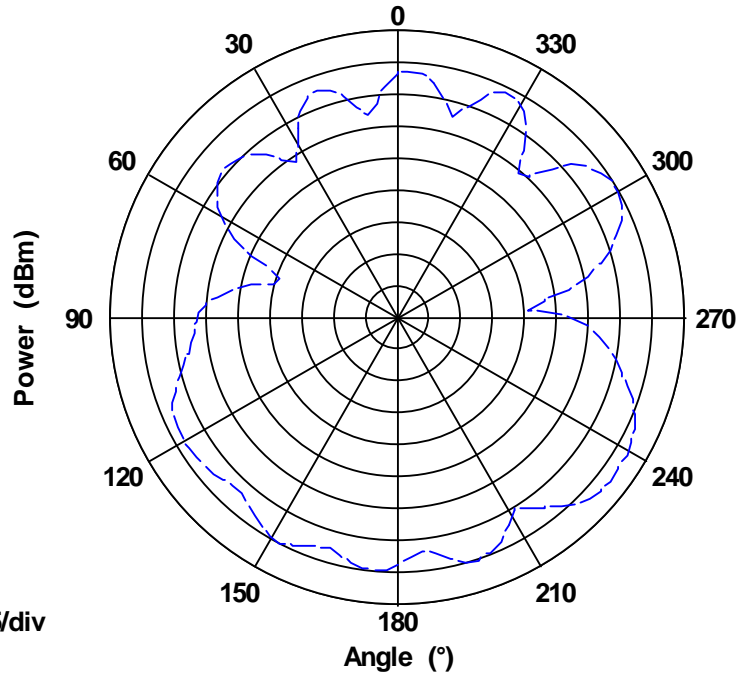
E Plane Pattern



Max: 0
Min: -45
Scale: 5/div

2467 MHz

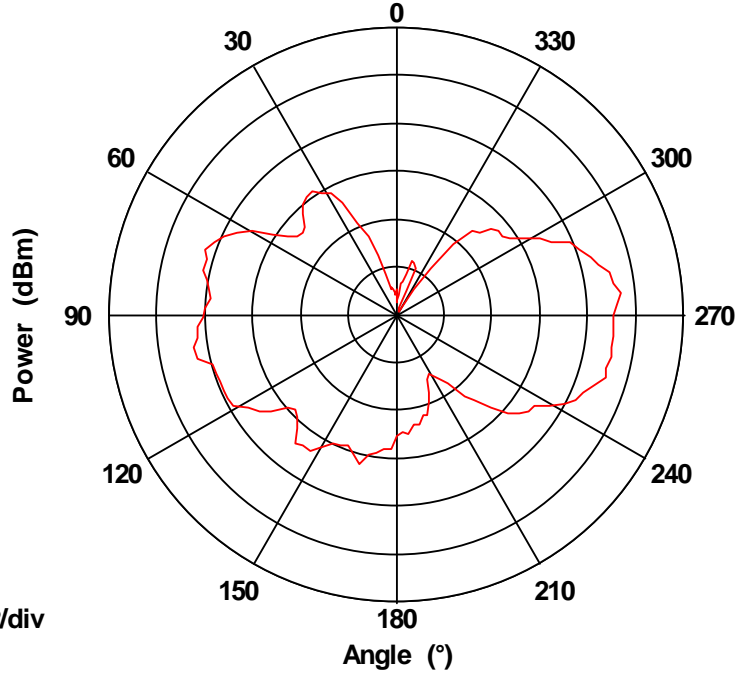
E Plane Pattern



Max: 0
Min: -45
Scale: 5/div

2472 MHz

**WLAN_R_VERTICAL
H Plane Pattern**

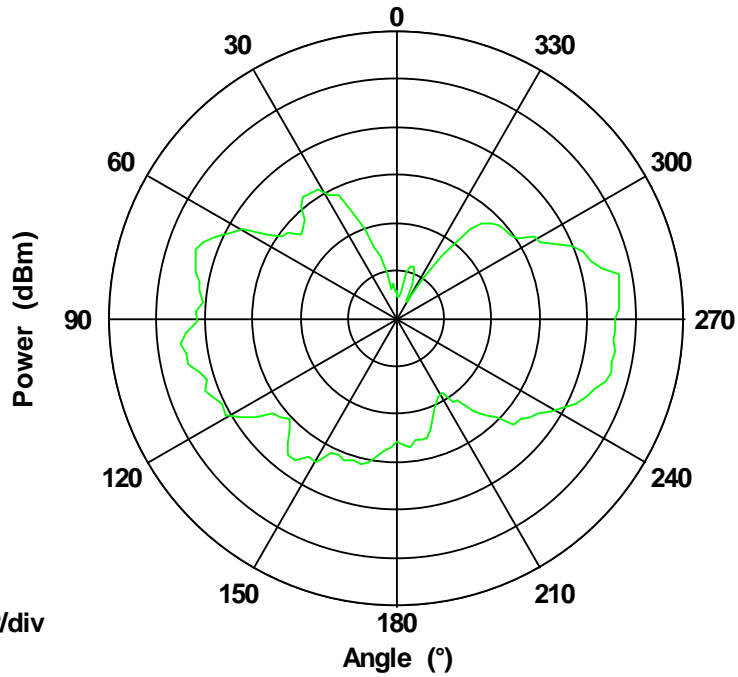


Max: -4
Min: -16
Scale: 2/div

2412 MHz

Frequency 2412 MHz

H Plane Pattern



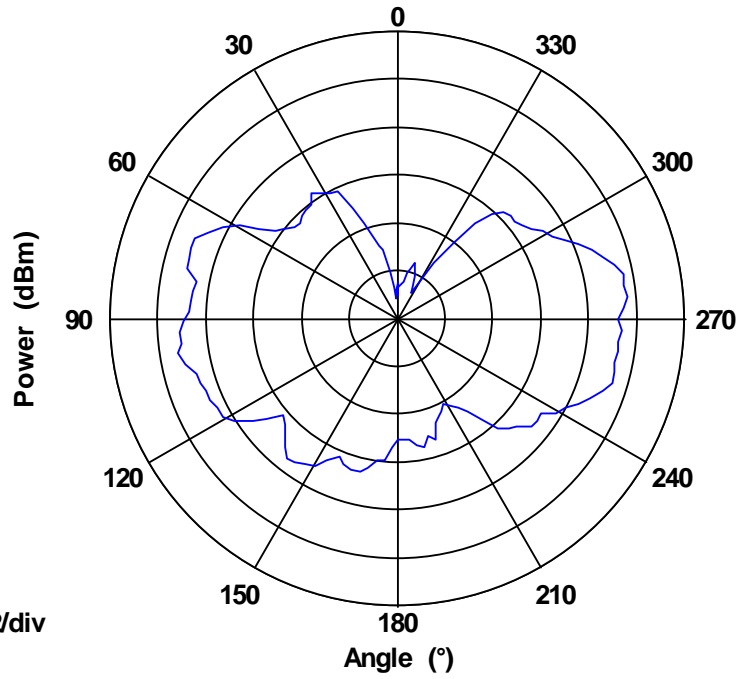
Max: -4
Min: -16
Scale: 2/div

2417 MHz

Frequency 2417 MHz



H Plane Pattern

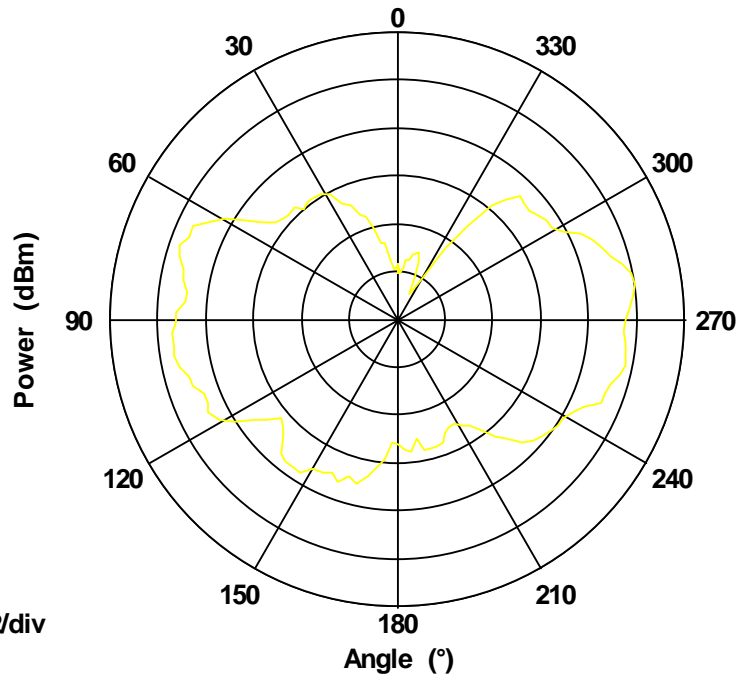


Max: -4
Min: -16
Scale: 2/div

Frequency 2422 MHz

2422 MHz

H Plane Pattern



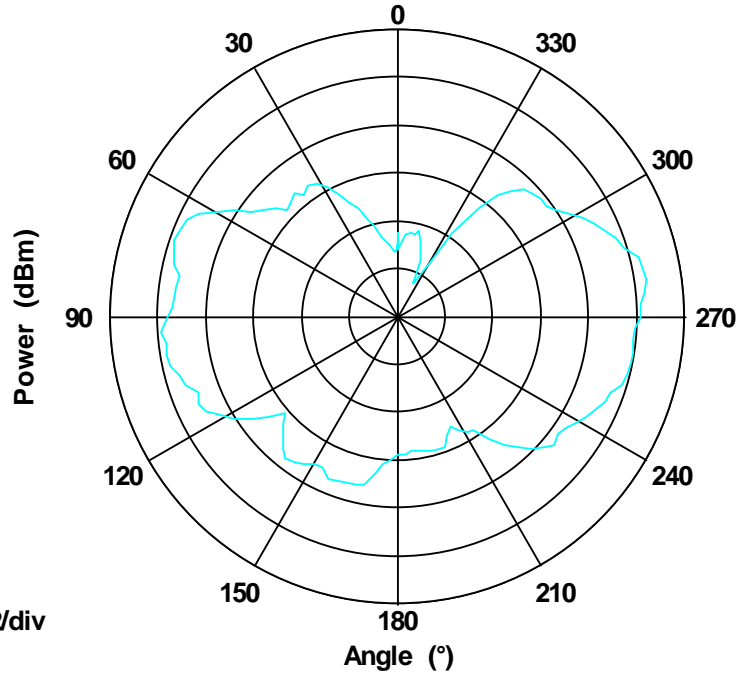
Max: -4
Min: -16
Scale: 2/div

Frequency 2427 MHz

2427 MHz



H Plane Pattern

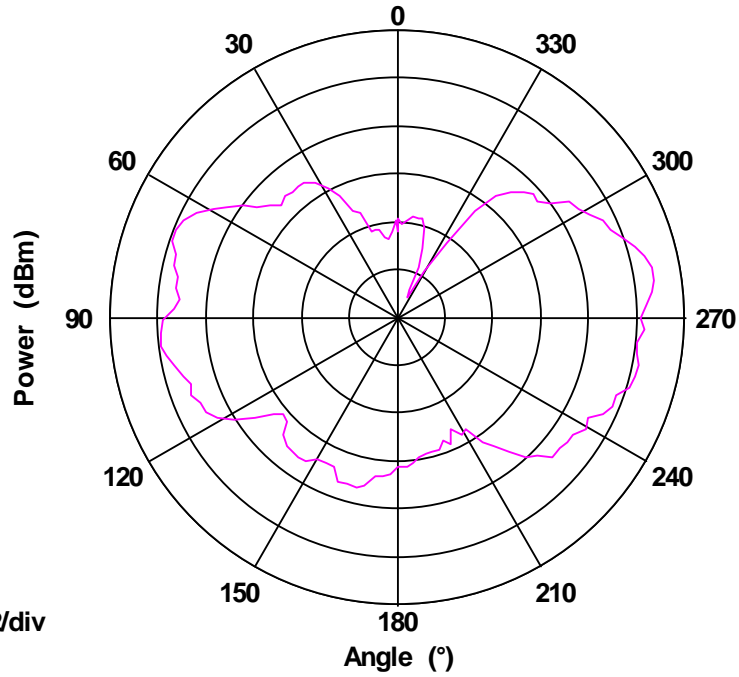


Max: -4
Min: -16
Scale: 2/div

2432 MHz

Frequency 2432 MHz

H Plane Pattern



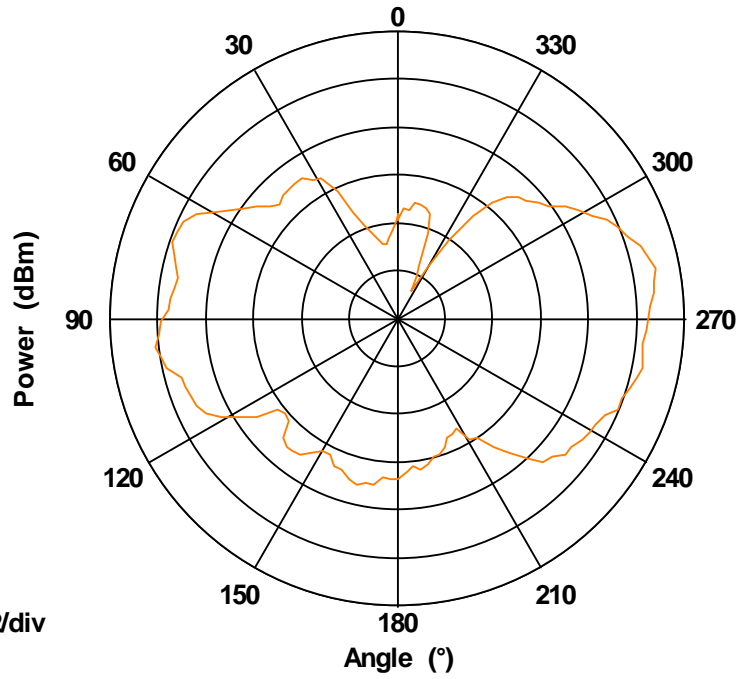
Max: -4
Min: -16
Scale: 2/div

2437 MHz

Frequency 2437 MHz



H Plane Pattern

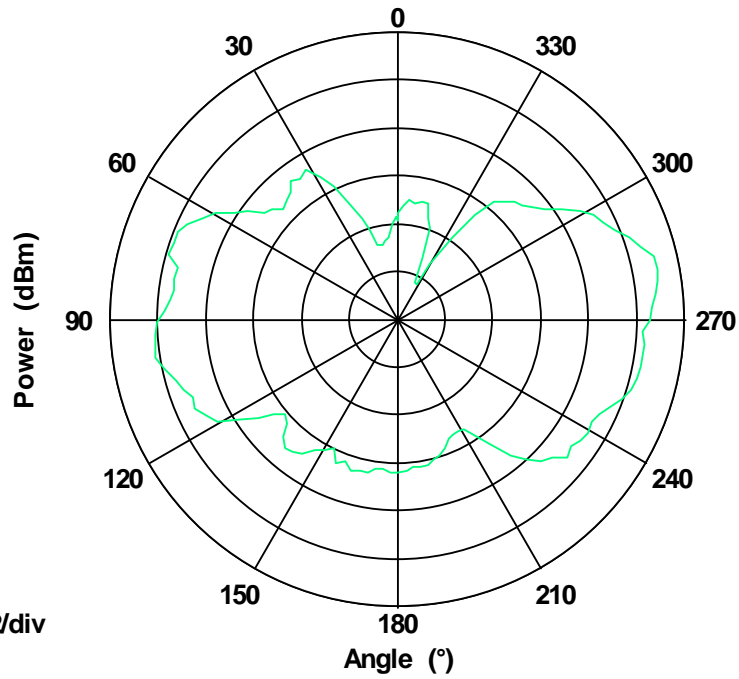


Max: -4
Min: -16
Scale: 2/div

Frequency 2442 MHz

2442 MHz

H Plane Pattern



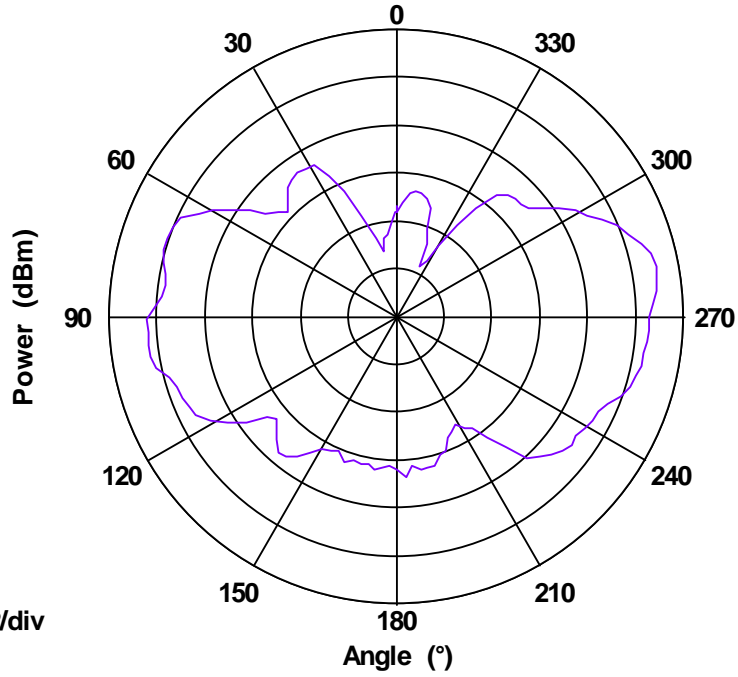
Max: -4
Min: -16
Scale: 2/div

Frequency 2447 MHz

2447 MHz



H Plane Pattern

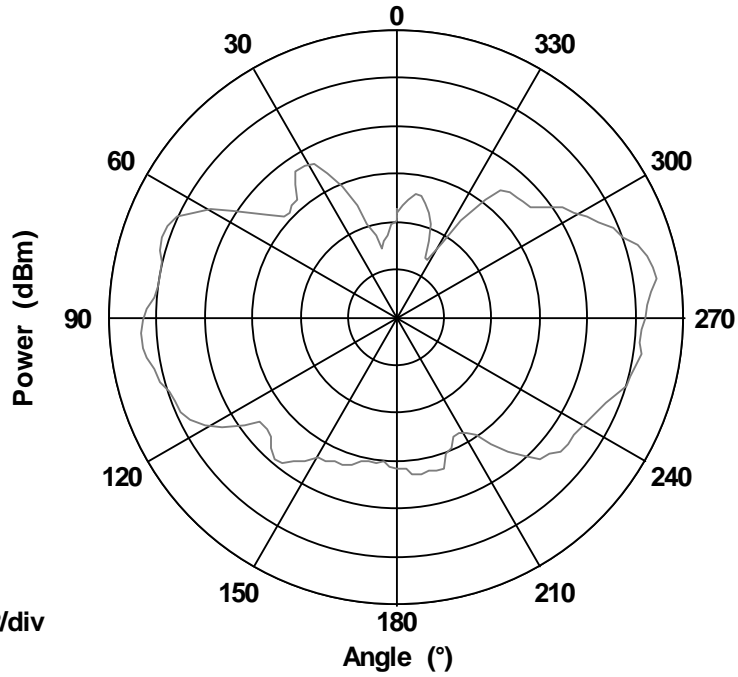


Max: -4
Min: -16
Scale: 2/div

2452 MHz

Frequency 2452 MHz

H Plane Pattern



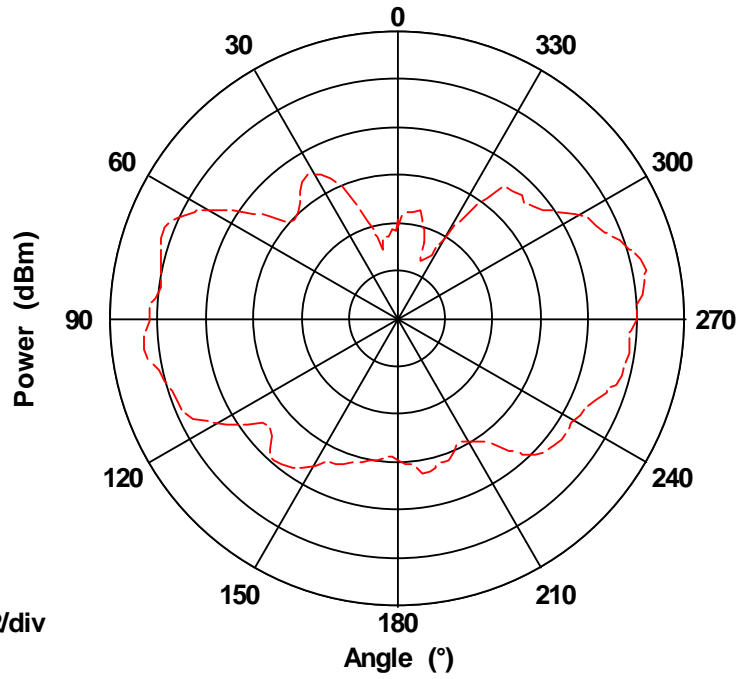
Max: -4
Min: -16
Scale: 2/div

2457 MHz

Frequency 2457 MHz



H Plane Pattern

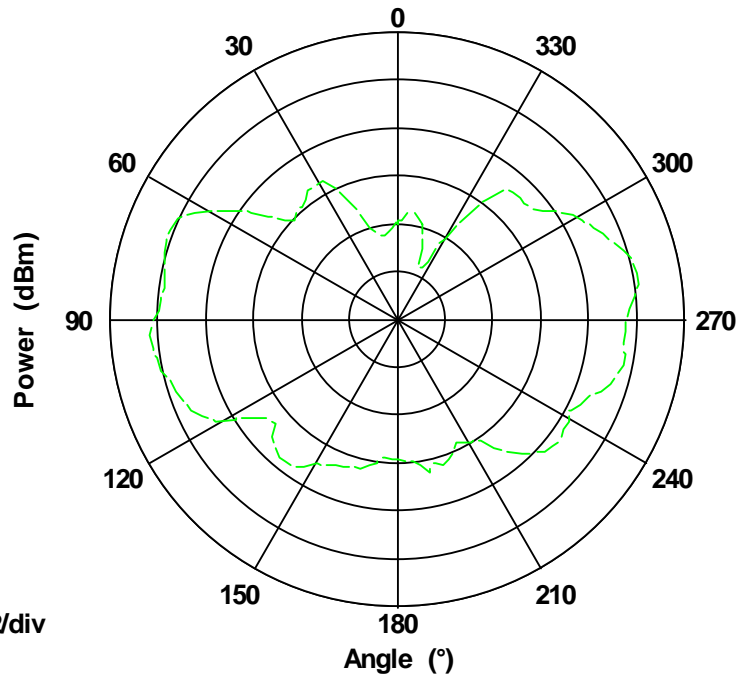


Max: -4
Min: -16
Scale: 2/div

2462 MHz

Frequency 2462 MHz

H Plane Pattern

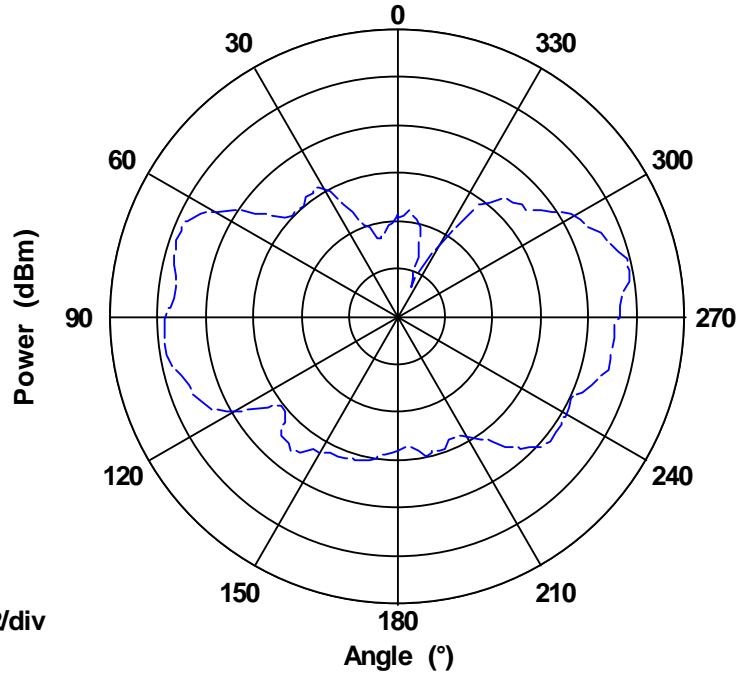


Max: -4
Min: -16
Scale: 2/div

2467 MHz

Frequency 2467 MHz

H Plane Pattern

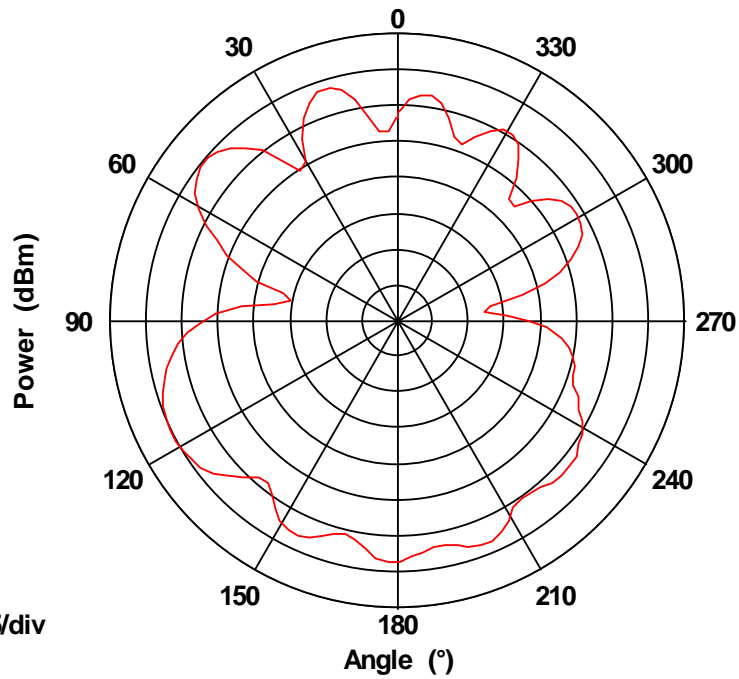


Max: -4
Min: -16
Scale: 2/div

Frequency 2472 MHz

2472 MHz

WLAN_R_HORIZONTAL E Plane Pattern



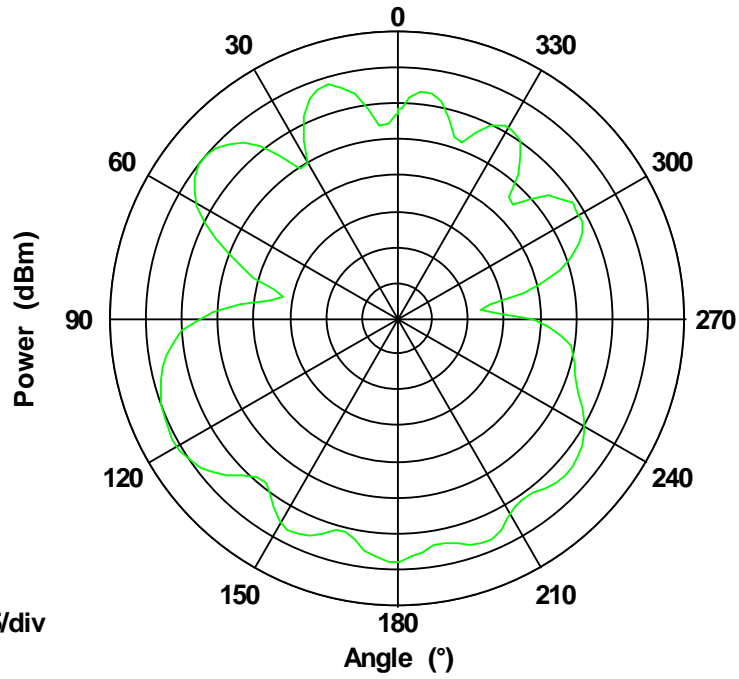
Max: 0
Min: -40
Scale: 5/div

Frequency 2412 MHz

2412 MHz



E Plane Pattern

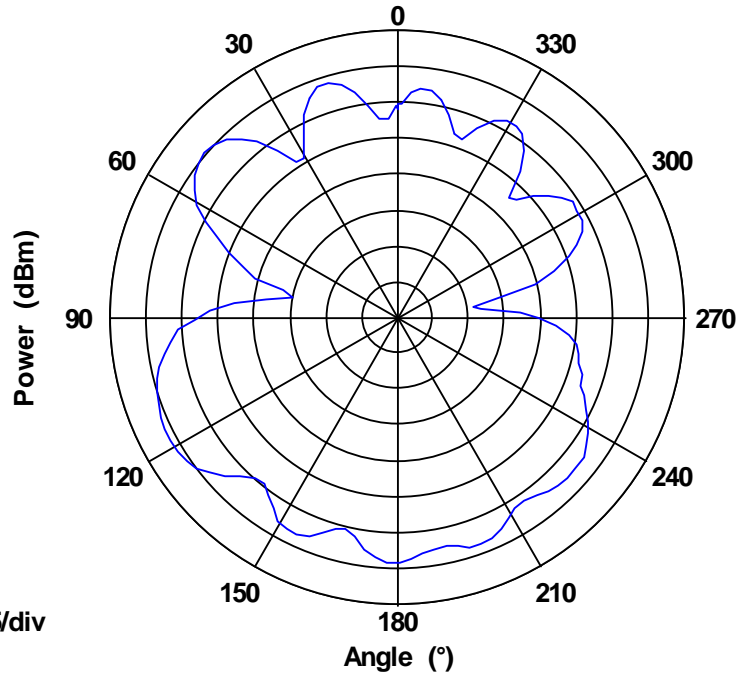


Max: 0
Min: -40
Scale: 5/div

2417 MHz

Frequency 2417 MHz

E Plane Pattern



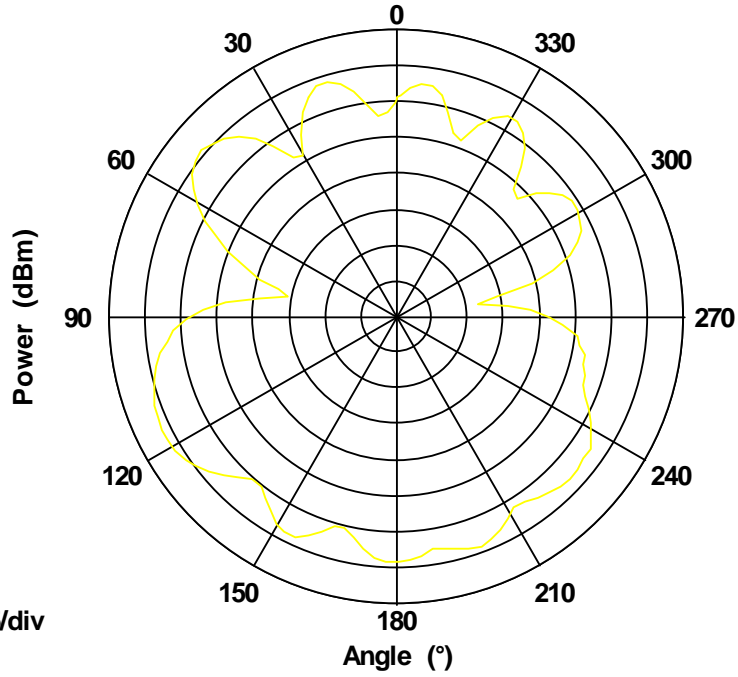
Max: 0
Min: -40
Scale: 5/div

2422 MHz

Frequency 2422 MHz



E Plane Pattern

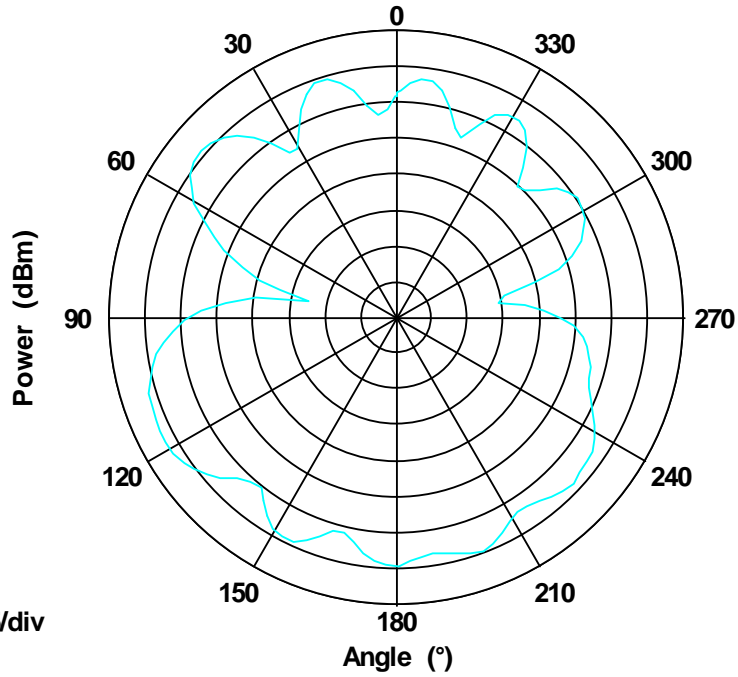


Max: 0
Min: -40
Scale: 5/div

Frequency 2427 MHz

2427 MHz

E Plane Pattern



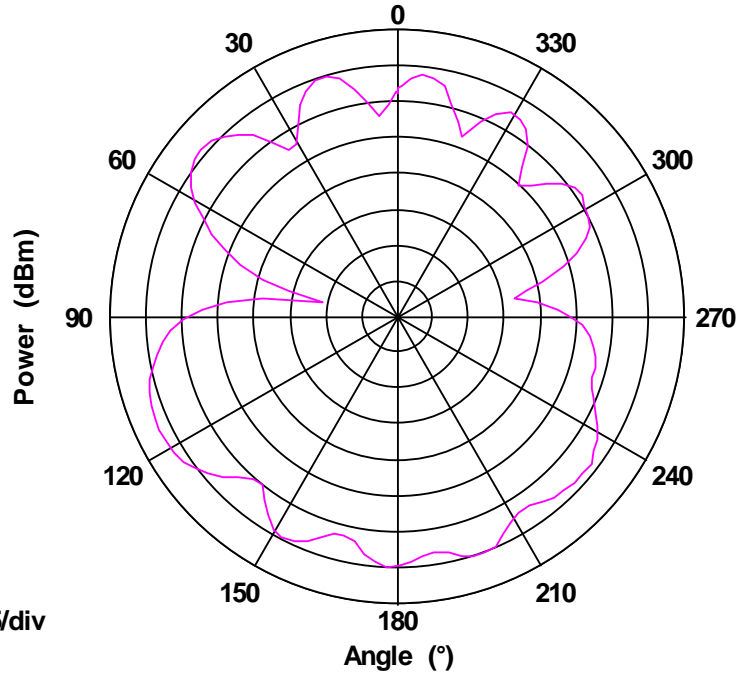
Max: 0
Min: -40
Scale: 5/div

Frequency 2432 MHz

2432 MHz



E Plane Pattern

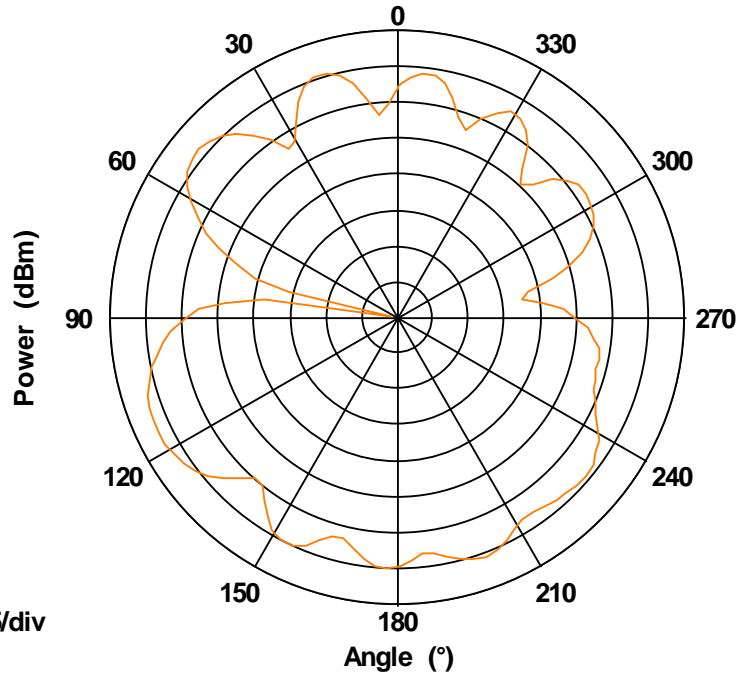


Max: 0
Min: -40
Scale: 5/div

2437 MHz

Frequency 2437 MHz

E Plane Pattern



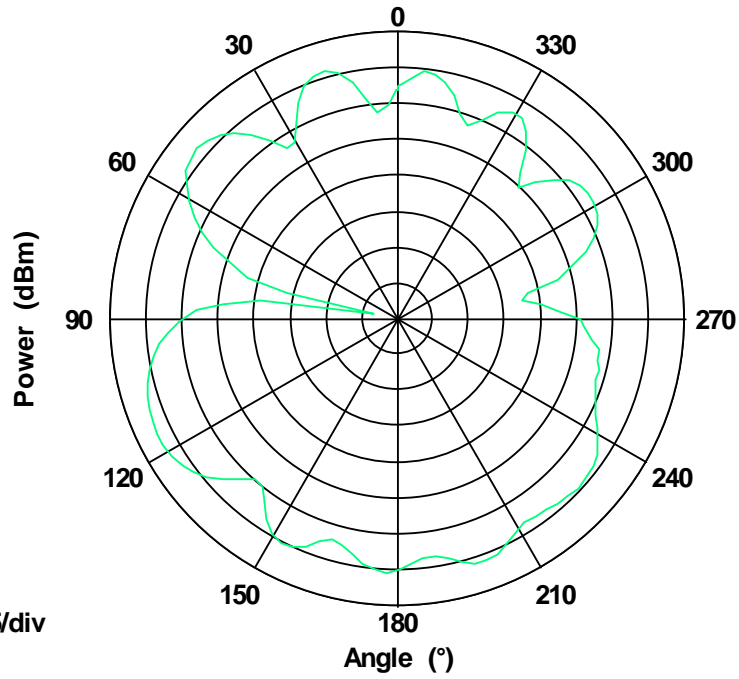
Max: 0
Min: -40
Scale: 5/div

2442 MHz

Frequency 2442 MHz



E Plane Pattern

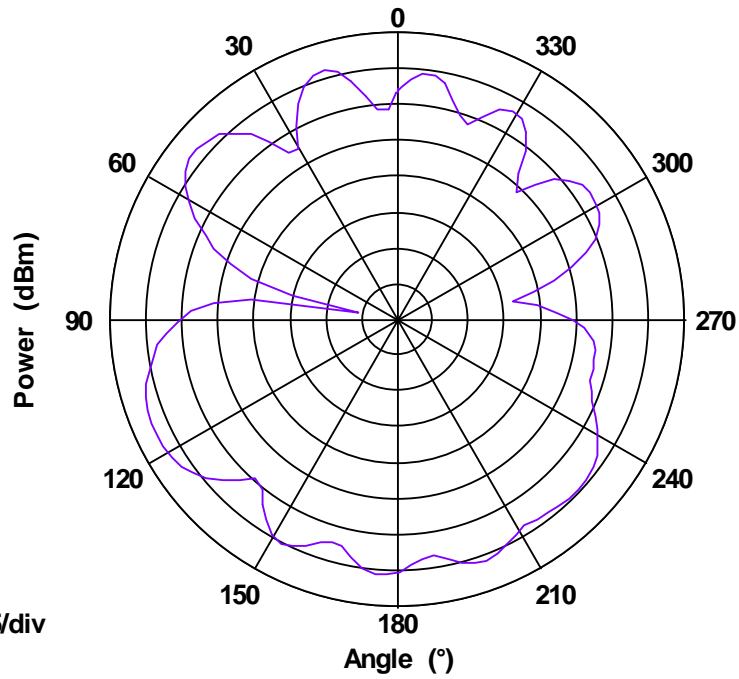


Max: 0
Min: -40
Scale: 5/div

2447 MHz

Frequency 2447 MHz

E Plane Pattern



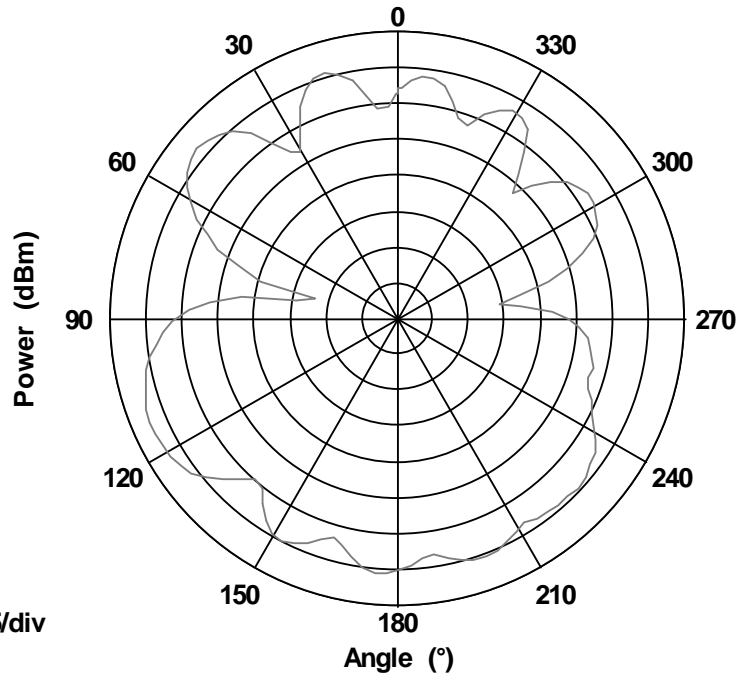
Max: 0
Min: -40
Scale: 5/div

2452 MHz

Frequency 2452 MHz



E Plane Pattern

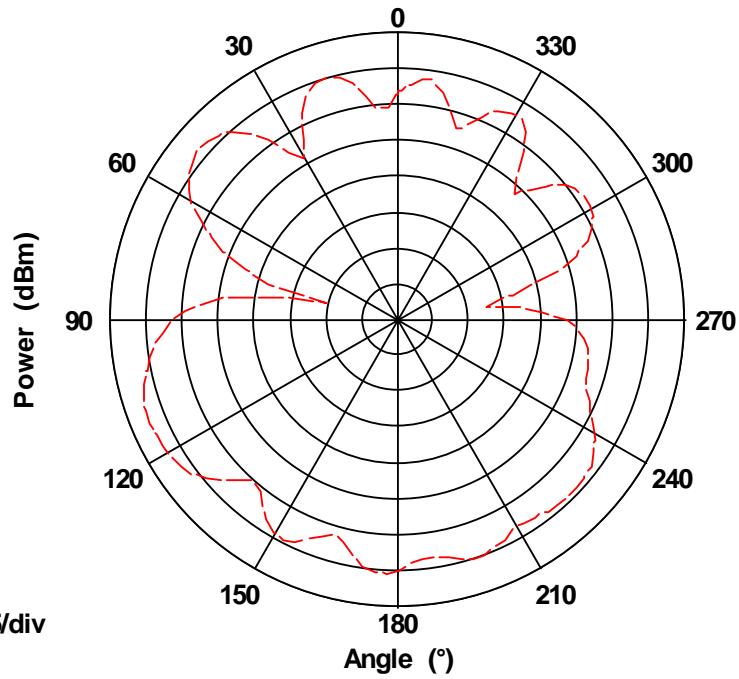


Max: 0
Min: -40
Scale: 5/div

Frequency 2457 MHz

2457 MHz

E Plane Pattern



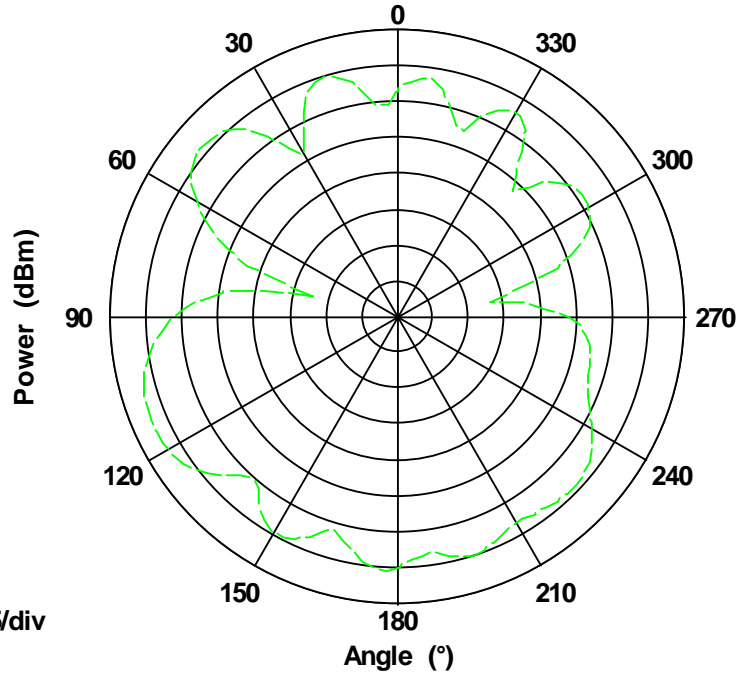
Max: 0
Min: -40
Scale: 5/div

Frequency 2462 MHz

2462 MHz



E Plane Pattern

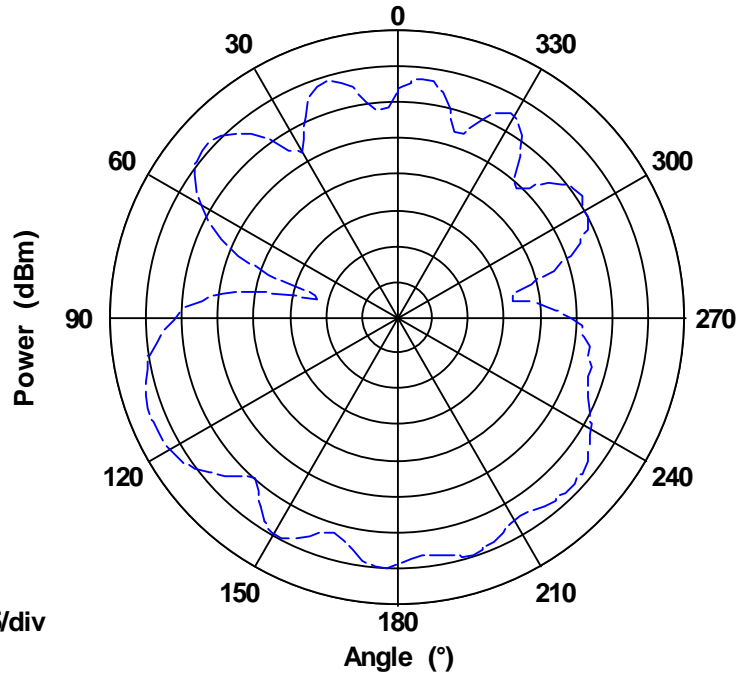


Max: 0
Min: -40
Scale: 5/div

Frequency 2467 MHz

2467 MHz

E Plane Pattern



Max: 0
Min: -40
Scale: 5/div

Frequency 2472 MHz

2472 MHz