

CReTE SYSTEM, INC.

機構零組件規格及注意事項

使用機種: DR686

料號: 47130000 品名規格: Patch Antenna, DR6

材質: 金屬 馬口鐵 t=0.8mm 塑膠
 綜合 其他

方式: 沖製 車件 壓鑄 射出 其他 組合件

處理: 塗裝 顏色 黑色 /PANTONE NO
 電鍍 單/雙面 導電漆, 阻抗 _____ 歐姆以下
 表面處理 _____ 印刷 _____
 尺寸/Insert: 依藍圖規格 其他 _____

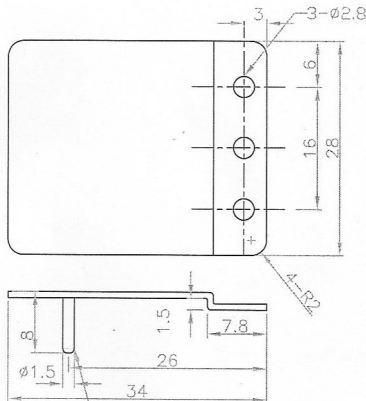
廠商: 連華 開模

組裝:

注意事項:

附圖

日期: 05-08-2003



此末端2mm不可烤漆

NOTE:

成品黑色烤漆

CRete SYSTEMS, INC.

	..				APPROVED		MATERIAL	T=0.8mm		
	..				CHECKED		DRAWING No.	MDR64370	MODEL	REV
	..				DESIGNED		PART No.	47130000	DR6	0
SYM.	DATE	DESCRIPTION OF REVISIONS	DRAWN	APPD	DESIGNED	 CAROL HU	TITLE			
3RD. ANGLE'S		UNIT	mm	SIZE	A4	SCALE	1/1	SHEET	1 OF 1	Patch Antenna, DR6

P/N:47130000

AntennaType : Patch antenna

Antenna Size : 1.5(H) x 28(W) x 34(L) mm (maximum size)

Measurement Date : 93/05/31

Measurement Temperature : 25°C

Measurement Humidity : 56%

Measurement Instrument : network analyzer (Anritsu 4623B) & chamber
(7x4x3 m)

Measurement System : CReTE antenna measurement system

Measurement Entry : SWR , Return Loss , radiation pattern

Measurement Frequency : 2.4~2.5 GHz

Output Power : 7 dBm

Date : 2004/5/31

Model Name : Patch Antenna,DR6

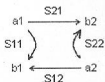
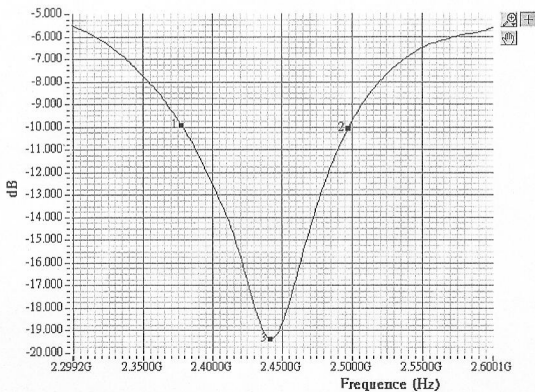
Model Number : 47130000

Graph Type : Log Magnitude , CH1 , S11

Start Frequency : 2300.000000 MHz / dBm

Stop Frequency : 2.600000 GHz / dBm

Number of points : 1601



Marker Name	Marker Value
1	2.377706 GHz / -9.907618 dB
2	2.497306 GHz / -10.061118 dB
3	2.441244 GHz / -19.374456 dB

Remark :

Date : 2004/5/31

Model Name : Patch Antenna,DR6.

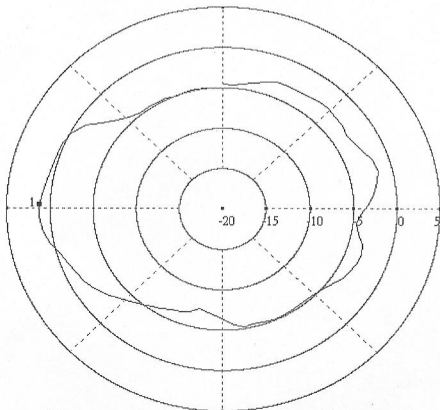
Model Number : 47130000

Graph Type : E-Phi , Co-Pol

C.W. Frequency :2.450000 GHz

Angle Step : 5.000000 "

Port 1 Power :7.00 dBm



Marker Name

Marker Value

1

88.2927° / 1.2425 dBi

Remark :

Peak Gain: 1.24 dBi

Date : 2004/5/31

Model Name : Patch Antenna,DR6.

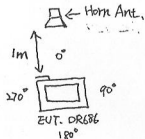
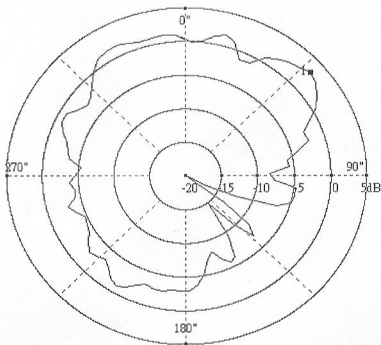
Model Number : 47130000

Graph Type : E-Theta , Co-Pol

C.W. Frequency :2.450000 GHz

Angle Stép : 5.000000 "

Port 1 Power :7.00 dBm



Marker Name	Marker Value
1	311.4634° / 3.1131 dBi

Remark :

Peak Gain: 3.11 dBi