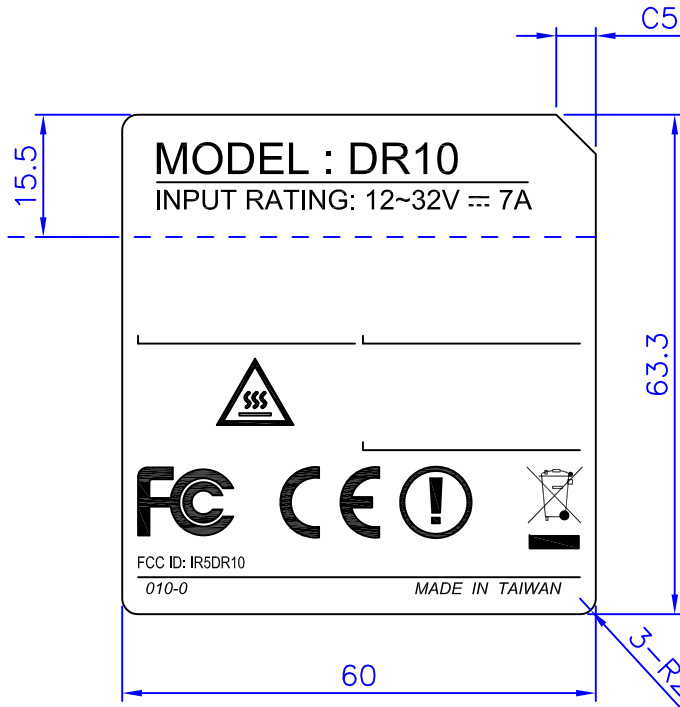


此上半邊部分綠底黑字
(綠色為: Panton 5747U)

此下半邊部分黑底綠字
(綠色為: Panton 5747U)



註: 1.成品材質: PC霧面(t=0.254mm),背3M 9448雙面膠
2.刀模同G632802004

				CR_eTE SYSTEMS, INC.				
4	..			APPROVED		MATERIAL	PC (t=0.254mm) +3M 9448	
3	..			CHECKED		DRAWING No.	LDRA4020	MODEL
2	..			DESIGNED	Jichi	PART No.	G632008010	DR10
1	..					REV	0	
SYM.	DATE	DESCRIPTION OF REVISIONS DRAWING		APPD	TITLE			
本圖面未標示公差之尺寸,依照 CNS 4027 14 級之規定實施					DR10 Label(WLAN)			
3RD. ANGLE'S		UNIT	mm	SIZE	A4	SCALE	1/1	SHEET 1 OF 1

A

B

C

1

2

3