

Equipment: HANFHELD COMPUTER
 Model:DF10
 Trade: MilDef
 FCC:IR5DF10

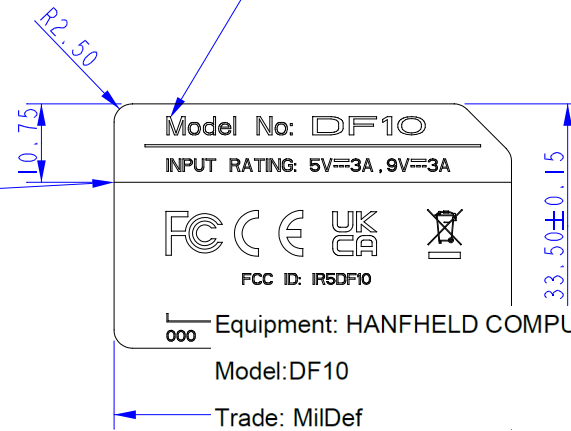
DWGING FINAL DATE 01-06-2022

所有印刷字體及線條皆為實心

(此上半邊部分灰底黑字)

印刷分界線

(此下半邊部分黑底灰字)



0.275 (0.125mmPC-8B35+0.15mm3M9448A)

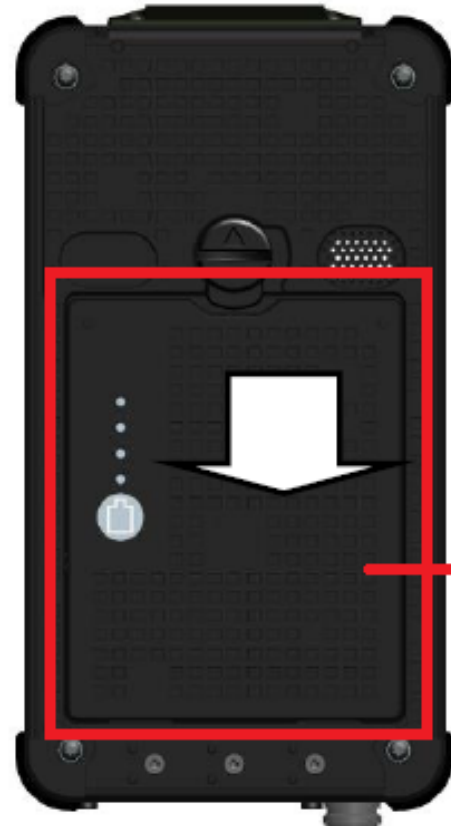
This device complies with Part 15 of the FCC Rules. Operation is subject to the following two conditions:

- (1) this device may not cause harmful interference, and
- (2) this device must accept any interference received, including interference that may cause undesired operation.

註:

- 1. 灰色為: Pantone Cool Gray 9C
- 2. 刀模共用G632190000

4				MilDef Crete Inc.							
3						APPROVED		MATERIAL	(0.125mmPC-8B35+0.15mm3M9448A)		
2						CHECKED		DRAWING No.	L DFA0010	MODEL	REV
1						DESIGNED	Jichi Li	PART No.	G632210000	DF10	0
SYM.	DATE	DESCRIPTION OF REVISIONS DRAWING		APPD	TITLE						
Tolerance		請參照CNS4027-12等級			MODEL LABEL(WLAN/UKCA),DF10						
3RD. ANGLE'S		UNIT	mm	SIZE	A4	SCALE	1:1	SHEET 1 OF 1			



The lable is under the battery