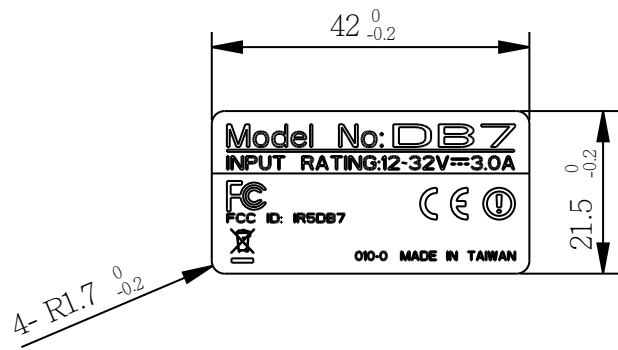


A B C

DWGING FINAL DATE 2014/11/14



註: 成品單面被膠G4000



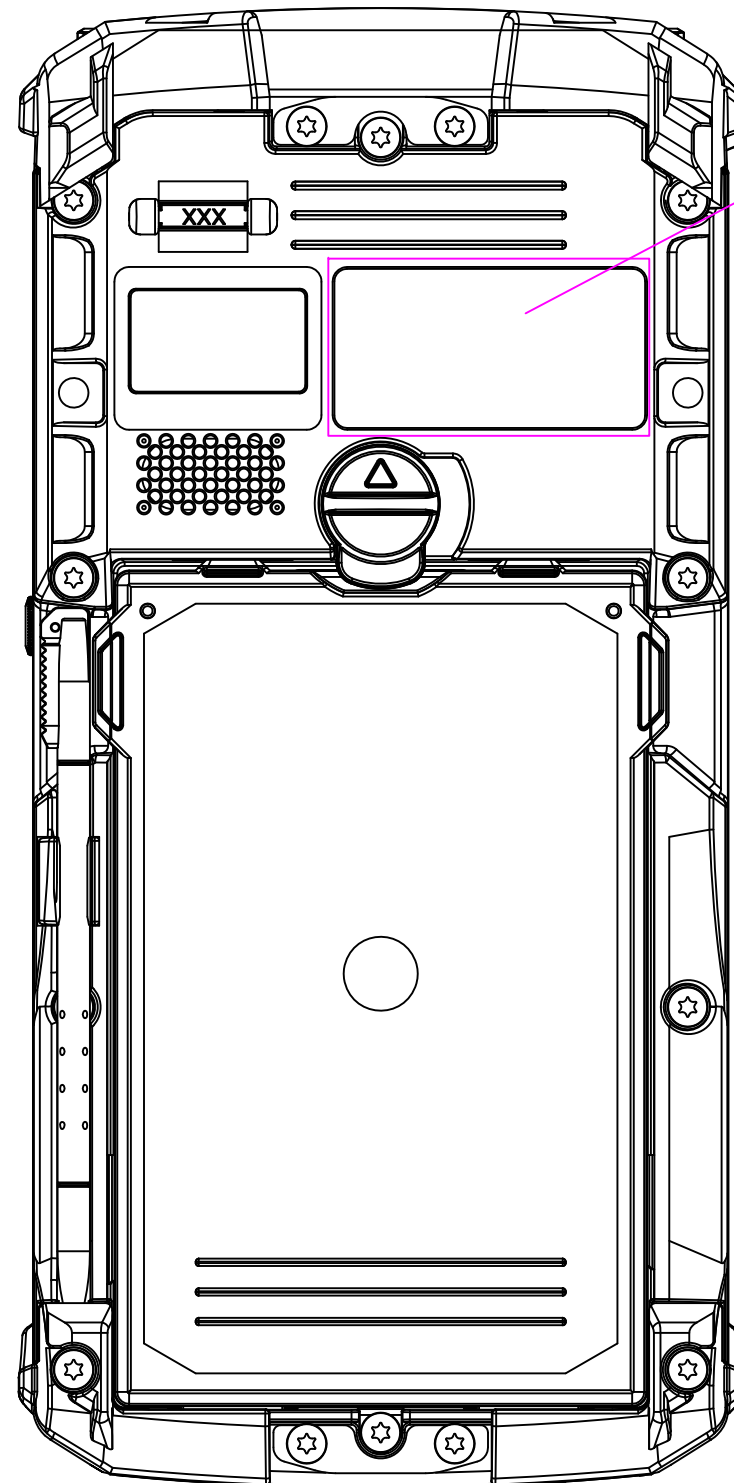
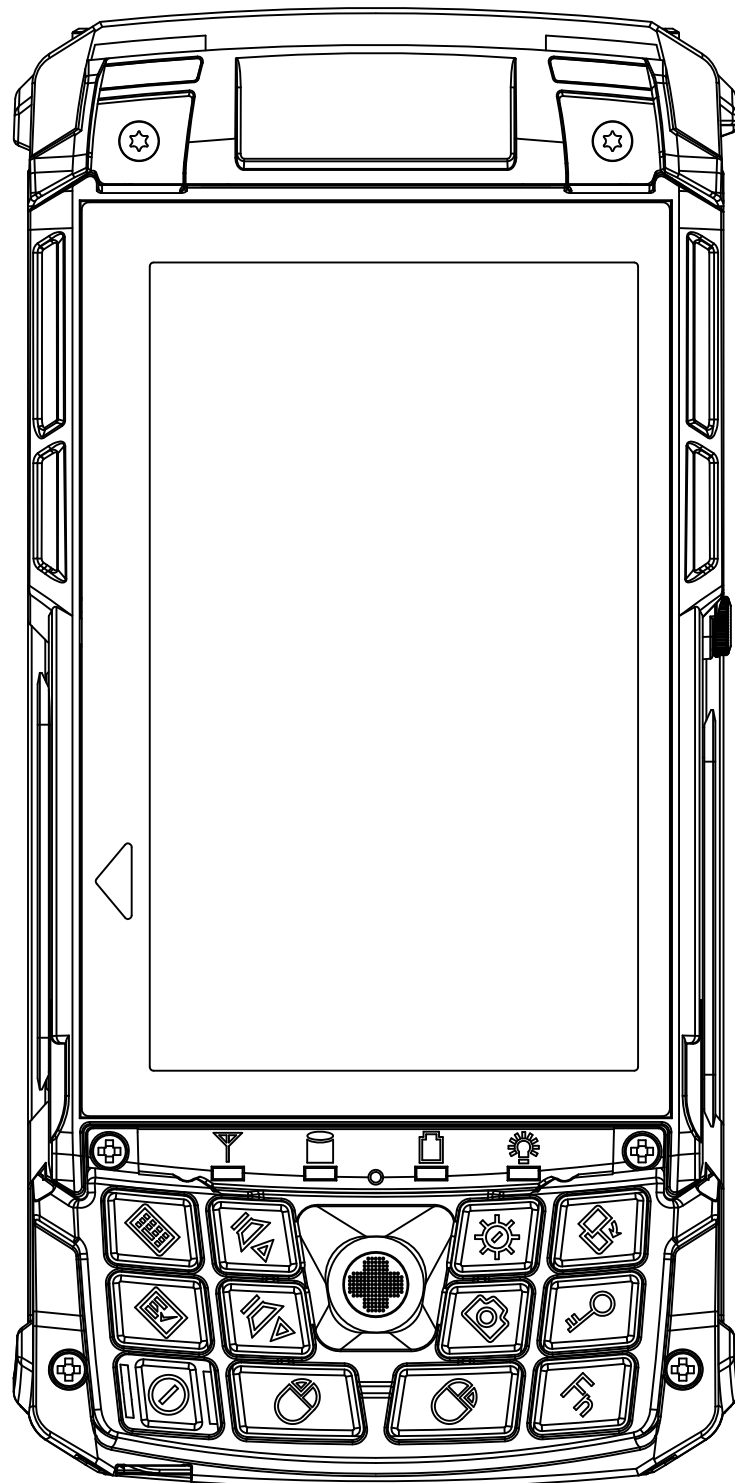
綠底(Panton 5747U), 黑字.

黑底, 綠字(Pantone 5747U).

SCALE 2.000

MilDef Crete Inc.									
4 3 2 1		. . . .							
APPROVED				MATERIAL		PC t=0.254mm			
CHECKED				DRAWING No.		LDB74040		MODEL REV	
DESIGNED		DenisWu		PART No.		G632060020		DB7 00	
Tolerance		CNS4027 -13-		TITLE		DB7 LABEL (36W/WLAN)			
3RD. ANGLE'S				UNIT		MM		SIZE A4	
SCALE		1.000		SHEET		1 OF 1			

A B C



Label 貼附處

<table border="1"> <tr> <td>△</td> <td>..</td> <td></td> <td></td> </tr> <tr> <td>△</td> <td>..</td> <td></td> <td></td> </tr> <tr> <td>△</td> <td>..</td> <td></td> <td></td> </tr> <tr> <td>△</td> <td>..</td> <td></td> <td></td> </tr> </table>				△	..			△	..			△	..			△	..					Mildef Crete Inc.	
△	..																						
△	..																						
△	..																						
△	..																						
Tolerance CNS4027 -13-				APPROVED	MATERIAL																		
3RD. ANGLE				CHECKED	DRAWING No.	MODEL	REV																
SYM.	DATE	DESCRIPTION OF REVISIONS	DRAWING	APPD	DESIGNED	PART No.	TITLE																
					DenisWu																		
UNIT MM		SIZE A3	SCALE 1.000	SHEET 1 OF 1																			