

ROGERS LABS, INC.

4405 West 259th Terrace
Louisburg, KS 66053
Phone / Fax (913) 837-3214

47CFR, PART 15C - Intentional Radiators 47CFR Paragraph 15.249 and Industry Canada RSS-GEN Issue 5 and RSS-210 Issue 10 Application For Grant of Certification

Model: AB2759

2402-2480 MHz

Low Power Digital Transmitter (DXX))

FCC ID: IPH-B2759

IC: 1792A-B2759

Garmin International, Inc.

1200 East 151st Street
Olathe, KS 66062

FCC Designation: US5305

ISED Registration: 3041A

Test Report Number: 220615

Test Date: July 18, 2022

Authorized Signatory: *Scot D Rogers*
Scot D. Rogers

This report shall not be reproduced except in full, without the written approval of the laboratory. This report must not be used by the client to claim product certification, approval, or endorsement by NVLAP, NIST, or any agency of the U.S. Government.

Rogers Labs, Inc.
4405 West 259th Terrace
Louisburg, KS 66053
Phone/Fax: (913) 837-3214
Revision 1

Garmin International, Inc.
Model: AB2759
Test: 220615
Test to: 47CFR 15C, RSS-Gen RSS-210
File: AB2759 DXX TstRpt 220615

SN's: 3415979883, 3415979878
FCC ID: IPH-B2759
IC: 1792A-B2759
Date: August 15, 2022
Page 1 of 37

Table of Contents

| | |
|--|-----------|
| TABLE OF CONTENTS | 2 |
| REVISIONS | 4 |
| EXECUTIVE SUMMARY | 4 |
| OPINION / INTERPRETATION OF RESULTS | 5 |
| EQUIPMENT TESTED | 6 |
| Equipment Operational Modes | 7 |
| Equipment Function | 8 |
| Equipment Configuration | 9 |
| APPLICATION FOR CERTIFICATION | 10 |
| APPLICABLE STANDARDS | 11 |
| EQUIPMENT TESTING PROCEDURES | 11 |
| AC Line Conducted Emission Test Procedure | 11 |
| Radiated Emission Test Procedure | 11 |
| Antenna Port Conducted Emission Test Procedure | 11 |
| Diagram 1 Test arrangement for radiated emissions of tabletop equipment..... | 12 |
| Diagram 2 Test arrangement for radiated emissions tested on Open Area Test Site (OATS) | 13 |
| Diagram 3 Test arrangement for Antenna Port Conducted emissions | 13 |
| TEST SITE LOCATIONS | 14 |
| UNITS OF MEASUREMENTS | 14 |
| ENVIRONMENTAL CONDITIONS | 15 |
| STATEMENT OF MODIFICATIONS AND DEVIATIONS | 15 |
| INTENTIONAL RADIATORS | 15 |
| Antenna Requirements | 15 |

Restricted Bands of Operation.....15

Table 1 Radiated Emissions in Restricted Frequency Bands Data Mode 1 ANT (GFSK)16

Table 2 Radiated Emissions in Restricted Frequency Bands Data Mode 1 BLE (GMSK)17

Summary of Results for Radiated Emissions in Restricted Bands17

General Radiated Emissions Procedure.....18

Table 3 General Radiated Emissions Data19

Summary of Results for General Radiated Emissions19

Operation in the Band 2400 – 2483.5 MHz20

Figure 1 Plot of Transmitter Emissions Operation in 2402-2480 MHz Mode 1 ANT (GFSK).....21

Figure 2 Plot of Transmitter Emissions Operation in 2402-2480 MHz Mode 2 BLE (GMSK)22

Figure 3 Plot of Transmitter Emissions Low Band Edge Mode 1 ANT (GFSK)23

Figure 4 Plot of Transmitter Emissions Low Band Edge Mode 2 BLE (GMSK)24

Figure 5 Plot of Transmitter Emissions High Band Edge Mode 1 ANT (GFSK)25

Figure 6 Plot of Transmitter Emissions High Band Edge Mode 2 BLE (GMSK)26

Figure 7 Plot of Transmitter Emissions 99% Occupied Bandwidth Mode 1 ANT (GFSK)27

Figure 8 Plot of Transmitter Emissions 99% Occupied Bandwidth Mode 2 BLE (GMSK)28

Transmitter Emissions Data.....29

Table 3 Transmitter Radiated Emissions Mode 1 ANT (GFSK)29

Table 4 Transmitter Radiated Emissions Mode 1 BLE (GMSK)30

Summary of Results for Transmitter Radiated Emissions of Intentional Radiator31

ANNEX..... 32

Annex A Measurement Uncertainty Calculations.....33

Annex B Test Equipment.....34

Annex C Rogers Qualifications36

Annex D Laboratory Certificate of Accreditation.....37



Revisions

Revision 1 Issued August 15, 2022

Rogers Labs, Inc.
4405 West 259th Terrace
Louisburg, KS 66053
Phone/Fax: (913) 837-3214
Revision 1

Garmin International, Inc.
Model: AB2759
Test: 220615
Test to: 47CFR 15C, RSS-Gen RSS-210
File: AB2759 DXX TstRpt 220615

SN's: 3415979883, 3415979878
FCC ID: IPH-B2759
IC: 1792A-B2759
Date: August 15, 2022
Page 4 of 37

Executive Summary

License Exempt Digital Transmission System Intentional Radiator operating under Title 47 Code of Federal Regulations (47 CFR) Paragraph 15.249 and Industry Canada RSS-210 Issue 10 and RSS-GEN Issue 5, low power (DXX) digital device transmitter operations in the 2400 – 2483.5 MHz frequency band.

Name of Applicant: Garmin International, Inc.
 1200 East 151st Street
 Olathe, KS 66062

M/N: AB2759 HVIN: AB2759
 FCC ID: IPH-B2759 IC: 1792A-B2759
 Operating Frequency Range: 2402-2480 MHz

Operational communication modes 1 and 2

| Mode | Peak Power (dBμV/m@3m) | Average power (dBμV/m@3m) | 99% OBW (kHz) |
|------------|------------------------|---------------------------|---------------|
| ANT (GFSK) | 97.7 | 64.8 | 1,061.3 |
| BLE (GMSK) | 97.9 | 93.4 | 1,071.0 |

Opinion / Interpretation of Results

| Tests Performed | Margin (dB) | Results |
|--|-------------|----------|
| Restricted Bands 47 CFR 15.205, RSS-210 4.1 | -6.9 | Complies |
| Radiated Emissions 47 CFR 15.209, RSS-GEN 8.9 | -0 | Complies |
| Harmonic Emissions per 47 CFR 15.249, RSS-210 B.10 | -2.0 | Complies |

Equipment Tested

Model: AB2759

Garmin International, Inc.
1200 East 151st Street
Olathe, KS 66062

| <u>Equipment</u> | <u>Model / PN</u> | <u>Serial Number</u> |
|-----------------------------|-------------------|----------------------|
| EUT | AB2759 | 3415979883 |
| EUT (Ant Port) | AB2759 | 3415979878 |
| DC power Cable (<80cm) | Garmin 2-pin | N/A |
| DC power Cable (2cm) | Garmin 2-pin | N/A |
| 19-Pin NMEA 0183 Cable | Garmin NMEA Cable | N/A |
| Garmin Network device | Garmin GVC 20 | 5JW000061 |
| Garmin Network device | Garmin GVC 20 | 5JW000074 |
| Garmin Network device | Garmin GVC 20 | 5JW000094 |
| Garmin Network device | Garmin GVC 20 | 5JW000103 |
| HDMI Marine Cable | HDMI Marine Cable | N/A |
| HDMI Marine Cable with load | HDMI Marine Cable | N/A |
| Mini USB Cable | Marine USB | N/A |
| CVBS Cable (2-m, with load) | Garmin CVBS cable | N/A |
| 5-pin NMEA 2000 Cable | Garmin NMEA Cable | N/A |
| 5-pin J1939 Cable | Garmin NMEA Cable | N/A |
| Garmin Network Cable (6m) | 320-00372-03 | N/A |
| Garmin Network Cable (6m) | 320-00372-03 | N/A |
| Garmin Network Cable (6m) | 320-00372-03 | N/A |
| Garmin Network Cable (6m) | 320-00372-03 | N/A |
| DC power Cable (2.3m) | Garmin 2-pin | N/A |
| DC Power Supply | BK 1745 | 209C13 |

Test results in this report relate only to the items tested. Worst-case configuration data recorded in this report.

Software: 29.42, Antennas: 2.4 GHz PIFA (4.2 dBi)

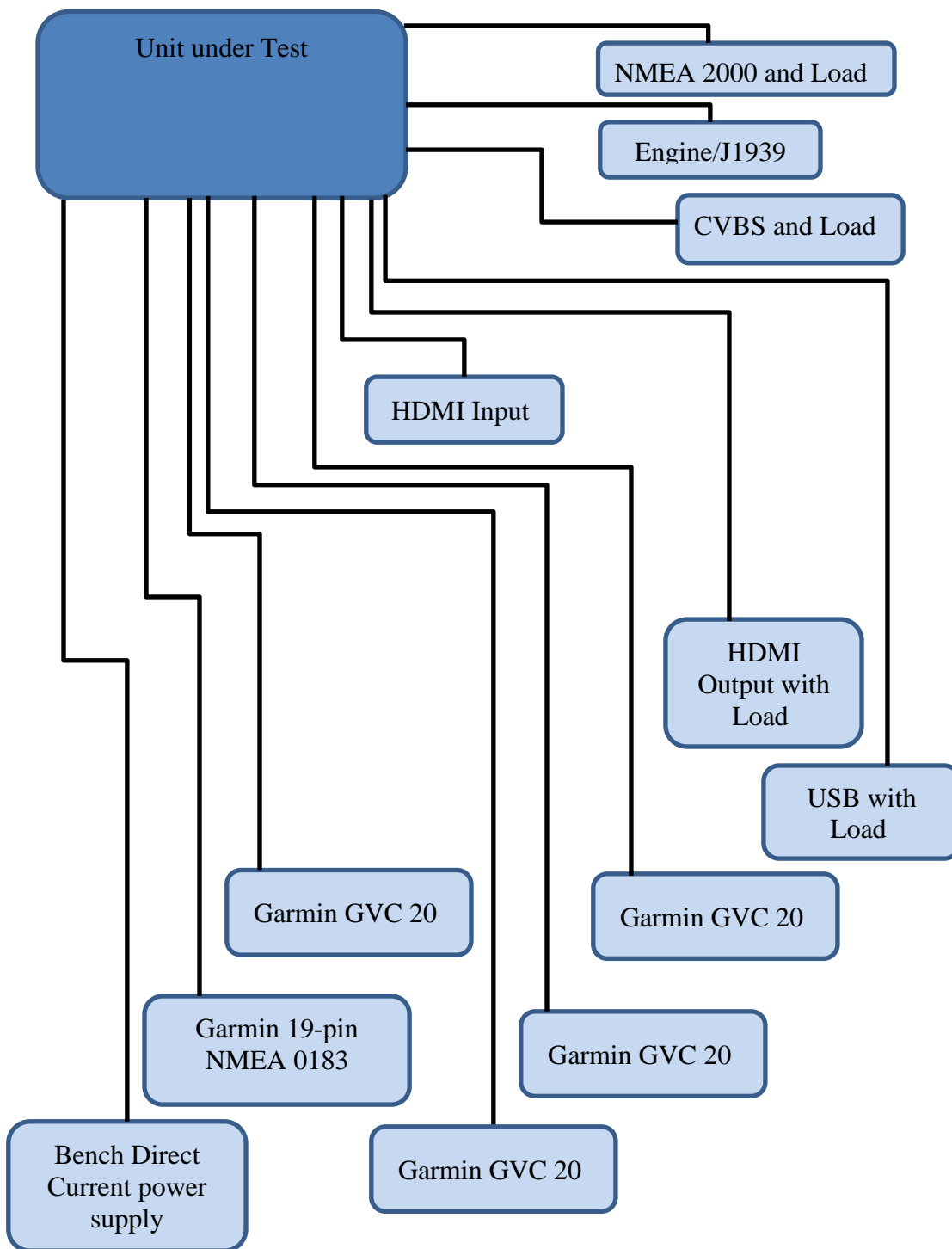
Equipment Operational Modes

| Mode | Transmitter Operation |
|------|-----------------------|
| 1 | ANT (GFSK) |
| 2 | BT BLE (GMSK) |
| 3 | 802.11b |
| 4 | 802.11g |
| 5 | 802.11n |

Equipment Function

The EUT is a mapping display and interface system providing interface options for use with compatible equipment. The design incorporates transmitter with operation capability in the 2,400-2,483.5 MHz frequency band. The GPS design offers use as a marine mounted mobile configuration for use in navigational aid applications. Two samples were supplied for testing, one production design and the other modified for testing purposes replacing integral antenna with RF connection port. Both samples were provided with test software enabling testing personnel the ability to test operational functions. The antenna modification offered testing facility ability to connect test equipment directly to the transmitter output. The EUT was arranged in a testing configuration emulating user equipment for testing purposes. The design offers no other interface connections than those in the configuration diagrams shown below. The EUT operates from externally supplied direct current power. The EUT was powered through the manufacturer supplied power cable operating at 12 Vdc from a DC power supply for testing purposes. Test results in this report relate only to the products described in this report.

Equipment Configuration



Application for Certification

- (1) Manufacturer: Garmin International, Inc.
1200 East 151st Street
Olathe, KS 66062
- (2) Identification: HVIN: AB2759
FCC ID: IPH-B2759 IC: 1792A-B2759
- (3) Instruction Book:
Refer to Exhibit for Instruction Manual.
- (4) Description of Circuit Functions:
Refer to Exhibit of Operational Description.
- (5) Block Diagram with Frequencies:
Refer to Exhibit of Operational Description.
- (6) Report of Measurements:
Report of measurements follows in this Report.
- (7) Photographs: Construction, Component Placement, etc.:
Refer to Exhibit for photographs of equipment.
- (8) List of Peripheral Equipment Necessary for operation. The equipment operates from external direct current power provided from marine installation power sources. The EUT provides interface ports for associated marine accessories and power as presented in this filing.
- (9) Transition Provisions of 47 CFR 15.37 are not requested.
- (10) Not Applicable. The unit is not a scanning receiver.
- (11) Not Applicable. The EUT does not operate in the 59 – 64 GHz frequency band.
- (12) The equipment is not software defined and this section is not applicable.
- (13) Applications for certification of U-NII devices in the 5.15-5.35 GHz and the 5.47-5.85 GHz bands must include a high-level operational description of the security procedures that control the radio frequency operating parameters and ensure that unauthorized modifications cannot be made. This requirement is not applicable to his DTS device.
- (14) Contain at least one drawing or photograph showing the test set-up for each of the required types of tests applicable to the device for which certification is requested. These drawings or photographs must show enough detail to confirm other information contained in the test report. Any photographs used must be focused originals without glare or dark spots and must clearly show the test configuration used. This information is provided in this report and Test Setup Exhibits provided with the application filing.

Applicable Standards

The following information is submitted in accordance with the eCFR Title 47 Code of Federal Regulations (47CFR), dated July 18, 2022: Part 2, Subpart J, Part 15C Paragraph 15.249, Industry Canada RSS-210 Issue 10, and RSS-GEN Issue 5. Test procedures used are the established Methods of Measurement of Radio-Noise Emissions as described in ANSI C63.10-2013. This report documents compliance for the EUT operations as Low Power Transmitter (DXX).

Equipment Testing Procedures

AC Line Conducted Emission Test Procedure

The EUT operates on direct current power only provided by the vehicle installation. Therefore, no AC line conducted emission testing was required or performed.

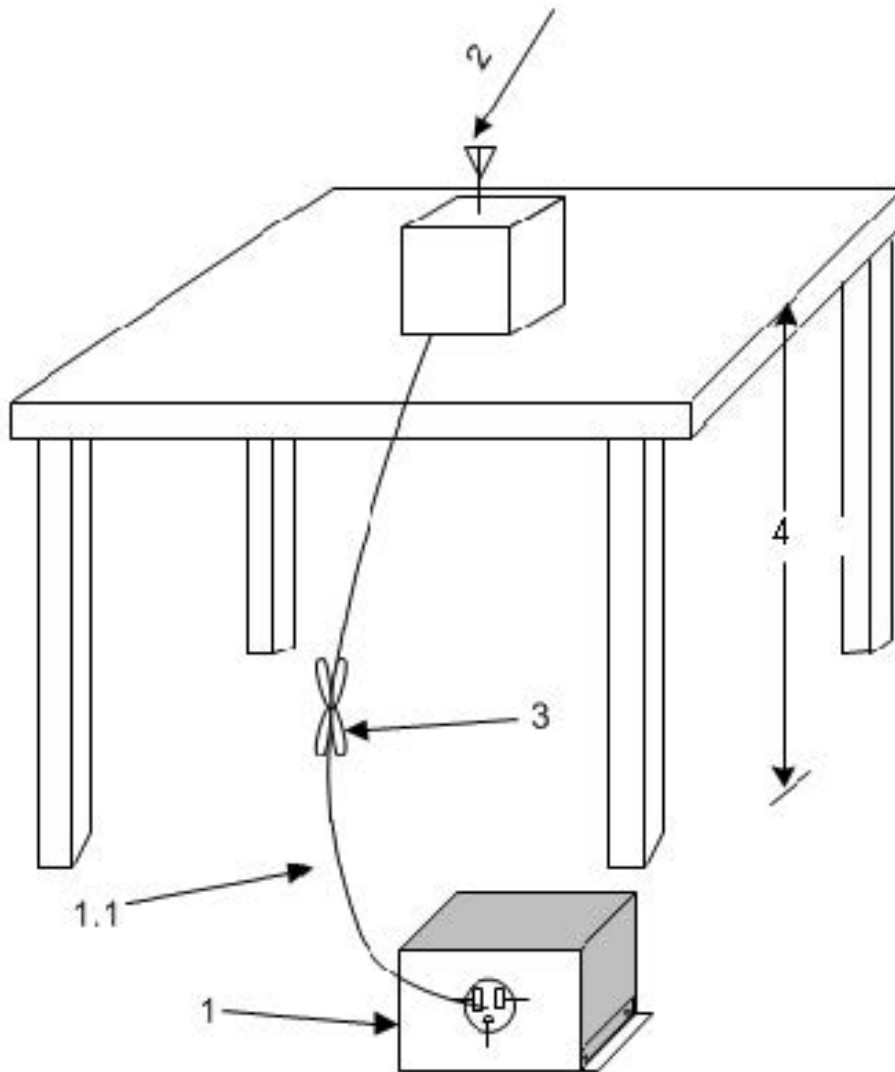
Radiated Emission Test Procedure

Radiated emissions testing was performed as required in 47 CFR 15C, RSS-210 Issue 10, and specified in ANSI C63.10-2013. The EUT was placed on a rotating 0.9 x 1.2-meter platform, elevated as required above the ground plane at a distance of 3 meters from the FSM antenna. EMI energy was maximized by equipment placement permitting orientation in three orthogonal axes, raising, and lowering the FSM antenna, changing the antenna polarization, and by rotating the turntable. Each emission was maximized before data was taken and recorded. The frequency spectrum from 9 kHz to 25,000 MHz was searched for emissions during preliminary investigation. Refer to diagrams two and three showing typical test setup. Refer to photographs in the test setup exhibits for specific EUT placement during testing.

Antenna Port Conducted Emission Test Procedure

The EUT was assembled as required for operation placed on a benchtop. This configuration provided the ability to connect test equipment to the provided test antenna port. Antenna Port conducted emissions testing was performed presented in the regulations and specified in ANSI C63.10-2013. Testing was completed on a laboratory bench in a shielded room. The active antenna port of the device was connected to appropriate attenuation and the spectrum analyzer. Refer to diagram four showing typical test arrangement and photographs in the test setup exhibits for specific EUT placement during testing.

Diagram 1 Test arrangement for radiated emissions of tabletop equipment



1—A LISN is optional for radiated measurements between 30 MHz and 1000 MHz but not allowed for measurements below 30 MHz and above 1000 MHz (see 6.3.1). If used, then connect EUT to one LISN. Unused LISN measuring port connectors shall be terminated in 50 Ω loads. The LISN may be placed on top of, or immediately beneath, the reference ground plane (see 6.2.2 and 6.2.3.2).

1.1—LISN spaced at least 80 cm from the nearest part of the EUT chassis.

2—Antenna can be integral or detachable, depending on the EUT (see 6.3.1).

3—Interconnecting cables that hang closer than 40 cm to the ground plane shall be folded back and forth in the center forming a bundle 30 cm to 40 cm long (see 6.3.1).

4—For emission measurements at or below 1 GHz, the table height shall be 80 cm. For emission measurements above 1 GHz, the table height shall be 1.5 m for measurements, except as otherwise specified (see 6.3.1 and 6.6.3.1).

Diagram 2 Test arrangement for radiated emissions tested on Open Area Test Site (OATS)

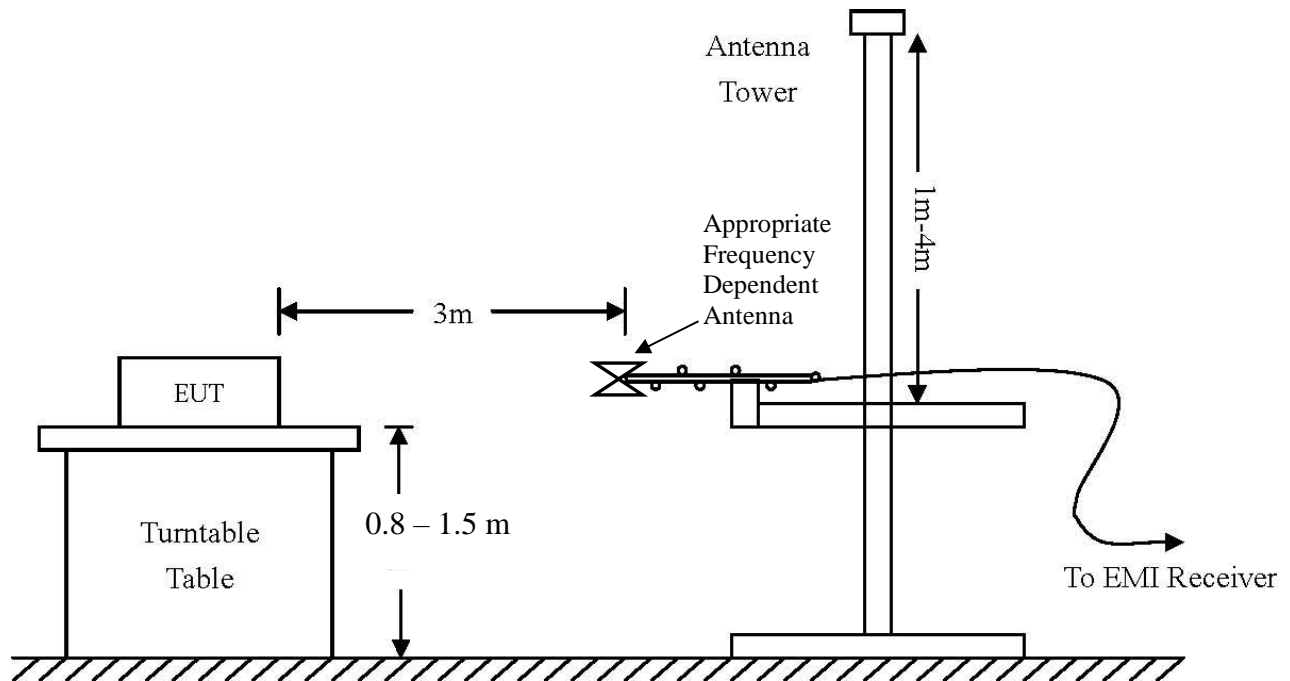
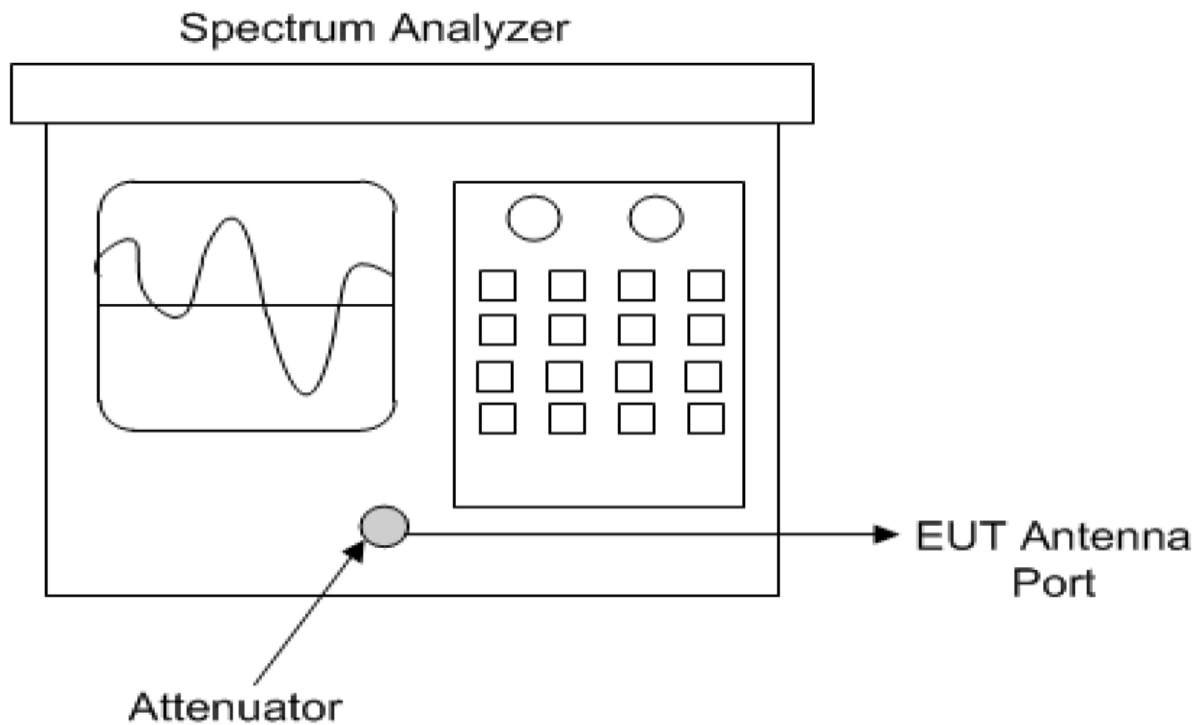


Diagram 3 Test arrangement for Antenna Port Conducted emissions



Test Site Locations

| | |
|---------------|--|
| Conducted EMI | AC line conducted emissions testing performed in a shielded screen room located at Rogers Labs, Inc., 4405 West 259 th Terrace, Louisburg, KS |
| Antenna port | Antenna port conducted emissions testing was performed in a shielded screen room located at Rogers Labs, Inc., 4405 West 259 th Terrace, Louisburg, KS |
| Radiated EMI | The radiated emissions tests were performed at the 3 meters, Open Area Test Site (OATS) located at Rogers Labs, Inc., 4405 West 259 th Terrace, Louisburg, KS |

Registered Site information: FCC Site: US5305, ISED: 3041A, CAB Identifier: US0096

NVLAP Accreditation Lab code 200087-0

Units of Measurements

| | |
|------------------------|--|
| Conducted EMI | Data presented in dB μ V; dB referenced to one microvolt |
| Antenna port Conducted | Data is in dBm; dB referenced to one milliwatt |
| Radiated EMI | Data presented in dB μ V/m; dB referenced to one microvolt per meter |

Note: Radiated limit may be expressed for measurement in dB μ V/m when the measurement is taken at a distance of 3 or 10 meters. Data taken for this report was taken at distance of 3 meters. Sample calculation demonstrates corrected field strength reading for Open Area Test Site using the measurement reading and correcting for receive antenna factor, cable losses, and amplifier gains.

Sample Calculation:

RFS = Radiated Field Strength, FSM = Field Strength Measured

A.F. = Receive antenna factor, Losses = attenuators/cable losses, Gain = amplification gains

$RFS (dB\mu V/m @ 3m) = FSM (dB\mu V) + A.F. (dB/m) + Losses (dB) - Gain (dB)$

Environmental Conditions

| | |
|----------------------|-----------|
| Ambient Temperature | 23.9° C |
| Relative Humidity | 41 % |
| Atmospheric Pressure | 1018.7 mb |

Statement of Modifications and Deviations

No modifications to the EUT were required for the equipment to demonstrate compliance with the 47 CFR Part 15C, Industry Canada RSS-210 Issue 10, and RSS-GEN Issue 5 emission requirements. There were no deviations to the specifications.

Intentional Radiators

The following information is submitted supporting demonstration of compliance with the requirements of 47CFR, Subpart C, paragraph 15.249, Industry Canada RSS-210 Issue 10, and RSS-GEN Issue 5.

Antenna Requirements

The EUT incorporates integral Planer Inverted F Antenna (PIFA) system. Production equipment offers no provision for connection to alternate antenna system. The antenna connection point complies with the unique antenna connection requirements. There are no deviations or exceptions to the specification.

Restricted Bands of Operation

Spurious emissions falling in the restricted frequency bands of operation were measured at the OATS. The EUT utilizes frequency, determining circuitry, which generates harmonics falling in the restricted bands. Emissions were investigated at the OATS, using appropriate antennas or pyramidal horns, amplification stages, and receiver / spectrum analyzer. Peak and average amplitudes of frequencies above 1000 MHz were compared to the required limits with worst-case data presented below. Test procedures of ANSI C63.10-2013 were used during testing. No other significant emission was observed which fell into the restricted bands of operation.

Computed emission values consider the received radiated field strength, receive antenna correction factor, amplifier gain stage, and test system cable losses.

Table 1 Radiated Emissions in Restricted Frequency Bands Data Mode 1 ANT (GFSK)

| Frequency in MHz | Horizontal Peak (dBµV/m) | Horizontal Average (dBµV/m) | Vertical Peak (dBµV/m) | Vertical Average (dBµV/m) | Limit @ 3m (dBµV/m) | Horizontal Margin (dB) | Vertical Margin (dB) |
|------------------|--------------------------|-----------------------------|------------------------|---------------------------|---------------------|------------------------|----------------------|
| 2390.0 | 46.9 | 30.7 | 51.2 | 30.6 | 54.0 | -23.3 | -23.4 |
| 2483.5 | 54.7 | 31.1 | 61.9 | 31.9 | 54.0 | -22.9 | -22.1 |
| 4804.0 | 49.9 | 36.5 | 49.4 | 36.5 | 54.0 | -17.5 | -17.5 |
| 4914.0 | 50.5 | 36.5 | 49.7 | 36.5 | 54.0 | -17.5 | -17.5 |
| 4960.0 | 49.7 | 36.5 | 49.9 | 36.6 | 54.0 | -17.5 | -17.4 |
| 7206.0 | 53.6 | 40.4 | 53.3 | 40.4 | 54.0 | -13.6 | -13.6 |
| 7371.0 | 53.8 | 40.2 | 53.6 | 40.2 | 54.0 | -13.8 | -13.8 |
| 7440.0 | 53.1 | 40.5 | 54.5 | 40.6 | 54.0 | -13.5 | -13.4 |
| 12010.0 | 59.1 | 46.3 | 58.8 | 45.9 | 54.0 | -7.7 | -8.1 |
| 12285.0 | 59.8 | 46.9 | 59.7 | 46.9 | 54.0 | -7.1 | -7.1 |
| 12400.0 | 59.6 | 46.2 | 58.9 | 46.3 | 54.0 | -7.8 | -7.7 |

Other emissions present had amplitudes at least 20 dB below the limit. Peak and Quasi-Peak amplitude emissions are recorded for frequency below 1000 MHz. Peak and Average amplitude emissions are recorded for frequency range above 1000 MHz.

Table 2 Radiated Emissions in Restricted Frequency Bands Data Mode 1 BLE (GMSK)

| Frequency in MHz | Horizontal Peak (dBμV/m) | Horizontal Average (dBμV/m) | Vertical Peak (dBμV/m) | Vertical Average (dBμV/m) | Limit @ 3m (dBμV/m) | Horizontal Margin (dB) | Vertical Margin (dB) |
|------------------|--------------------------|-----------------------------|------------------------|---------------------------|---------------------|------------------------|----------------------|
| 2390.0 | 46.8 | 30.8 | 52.1 | 31.1 | 54.0 | -23.2 | -22.9 |
| 2483.5 | 54.7 | 32.2 | 61.8 | 34.8 | 54.0 | -21.8 | -19.2 |
| 4804.0 | 49.6 | 36.6 | 50.1 | 36.6 | 54.0 | -17.4 | -17.4 |
| 4880.0 | 49.6 | 36.5 | 49.7 | 36.6 | 54.0 | -17.5 | -17.4 |
| 4960.0 | 49.5 | 36.6 | 49.7 | 36.6 | 54.0 | -17.4 | -17.4 |
| 7206.0 | 54.3 | 40.4 | 53.8 | 40.5 | 54.0 | -13.6 | -13.5 |
| 7320.0 | 53.9 | 40.6 | 53.1 | 40.5 | 54.0 | -13.4 | -13.5 |
| 7440.0 | 54.0 | 40.5 | 53.3 | 40.5 | 54.0 | -13.5 | -13.5 |
| 12010.0 | 59.1 | 46.3 | 59.1 | 46.3 | 54.0 | -7.7 | -7.7 |
| 12200.0 | 59.8 | 47.1 | 59.4 | 46.9 | 54.0 | -6.9 | -7.1 |
| 12400.0 | 59.3 | 46.5 | 59.1 | 46.3 | 54.0 | -7.5 | -7.7 |

Other emissions present had amplitudes at least 20 dB below the limit. Peak and Quasi-Peak amplitude emissions are recorded for frequency below 1000 MHz. Peak and Average amplitude emissions are recorded for frequency range above 1000 MHz.

Summary of Results for Radiated Emissions in Restricted Bands

The EUT demonstrated compliance with the radiated emissions requirements of 47CFR Part 15C and RSS-210 Issue 10 Intentional Radiator requirements. The EUT demonstrated a worst-case minimum margin of -6.9 dB below the emissions requirements in restricted frequency bands. Peak, Quasi-peak, and average amplitudes were checked for compliance with the regulations. Worst-case emissions are reported with other emissions found in the restricted frequency bands at least 20 dB below the requirements.

General Radiated Emissions Procedure

The EUT was arranged in a manufacturer defined equipment configuration and operated with both transmitter active during testing. Preliminary testing was performed in a screen room with the EUT positioned 1 meter from the FSM. Radiated emissions measurements were performed to identify the frequencies, which produced the highest emissions. Each radiated emission was then maximized at the OATS location before final radiated measurements were performed. Final data was taken with the EUT located on the OATS at 3 meters distance between the EUT and the receiving antenna. The frequency spectrum from 9 kHz to 25,000 MHz was searched for general radiated emissions. Measured emission levels were maximized by EUT placement on the table, rotating the turntable through 360 degrees, varying the antenna height between 1 and 4 meters above the ground plane and changing antenna position between horizontal and vertical polarization. Antennas used were Loop from 9 kHz to 30 MHz, Broadband Biconical from 30 to 200 MHz, Biconilog from 30 to 1000 MHz, Log Periodic from 200 MHz to 1 GHz and or double Ridge or pyramidal horns and mixers above 1 GHz, notch filters and appropriate amplifiers and external mixers were utilized.

Table 3 General Radiated Emissions Data

| Frequency (MHz) | Horizontal Peak (dBµV/m) | Horizontal Quasi-Peak (dBµV/m) | Vertical Peak (dBµV/m) | Vertical Quasi-Peak (dBµV/m) | Limit @ 3m (dBµV/m) | Horizontal Margin (dB) | Vertical Margin (dB) |
|-----------------|--------------------------|--------------------------------|------------------------|------------------------------|---------------------|------------------------|----------------------|
| 78.7 | 33.3 | 28.5 | 34.8 | 29.9 | 40.0 | -11.5 | -10.1 |
| 81.2 | 33.3 | 28.4 | 33.5 | 29.7 | 40.0 | -11.6 | -10.3 |
| 84.7 | 30.8 | 25.9 | 33.6 | 28.7 | 40.0 | -14.1 | -11.3 |
| 148.5 | 39.1 | 36.8 | 33.7 | 31.2 | 40.0 | -3.2 | -8.8 |
| 250.0 | 36.5 | 33.1 | 33.7 | 29.2 | 47.0 | -13.9 | -17.8 |
| 297.0 | 39.5 | 36.6 | 36.3 | 34.1 | 47.0 | -10.4 | -12.9 |
| 445.5 | 43.2 | 36.9 | 41.4 | 36.3 | 47.0 | -10.1 | -10.7 |
| 594.0 | 53.0 | 46.2 | 51.9 | 45.9 | 47.0 | -0.8 | -1.1 |
| 742.5 | 56.9 | 47.0 | 52.0 | 44.7 | 47.0 | 0.0 | -2.3 |
| 891.0 | 47.1 | 44.9 | 53.3 | 45.3 | 47.0 | -2.1 | -1.7 |

Other emissions present had amplitudes at least 20 dB below the limit. Peak and Quasi-Peak amplitude emissions are recorded for frequency range below 1000 MHz. Peak and Average amplitude emissions are recorded for frequency range above 1000 MHz.

Summary of Results for General Radiated Emissions

The EUT demonstrated compliance with the radiated emissions requirements of 47CFR Part 15C paragraph 15.209, RSS-210 Issue 10, and RSS-GEN Issue 5 Intentional Radiators. The EUT configuration demonstrated a minimum margin of -0 dB below the requirements. Other emissions were present with amplitudes at least 20 dB below the Limits.

Operation in the Band 2400 – 2483.5 MHz

The transmitter output power, harmonic, and general emissions were measured on an Open Area Test Site (OATS) @ 3 meters. The amplitude of radiated emission was measured on the OATS at distance of 3 meters from the FSM antenna (radiated emission testing was performed on sample #1) representative of production equipment with integral antennas. The EUT was placed on a turntable elevated as required above the ground plane and at a distance of 3 meters from the FSM antenna. The peak and quasi-peak amplitude of frequencies below 1000 MHz were measured using a spectrum analyzer. The peak and average amplitude of frequencies above 1000 MHz were measured using a spectrum analyzer. The amplitude of each emission was then recorded from the analyzer display. Emissions radiated outside of the specified bands, except for harmonics, shall be attenuated by at least 50 dB below the level of the fundamental or to the general radiated emission limits, whichever is the lesser attenuation. Antenna port emission plots were taken of transmitter performance for reference in this and other documentation using test sample #4. The amplitude of each radiated emission was maximized by equipment orientation and placement on the turn table, raising and lowering the FSM (Field Strength Measuring) antenna, changing the FSM antenna polarization, and by rotating the turntable. A Loop antenna was used for measuring emissions from 0.009 to 30 MHz, Biconilog Antenna for 30 to 1000 MHz, Double-Ridge, and/or Pyramidal Horn Antennas from 1 GHz to 25 GHz. Emissions were measured in dB μ V/m @ 3 meters.

Refer to figures one through eight showing plots of modes 1 and 2 taken of the 2402-2480 MHz transmitter operation displaying compliance with the specifications.

Figure 1 Plot of Transmitter Emissions Operation in 2402-2480 MHz Mode 1 ANT (GFSK)

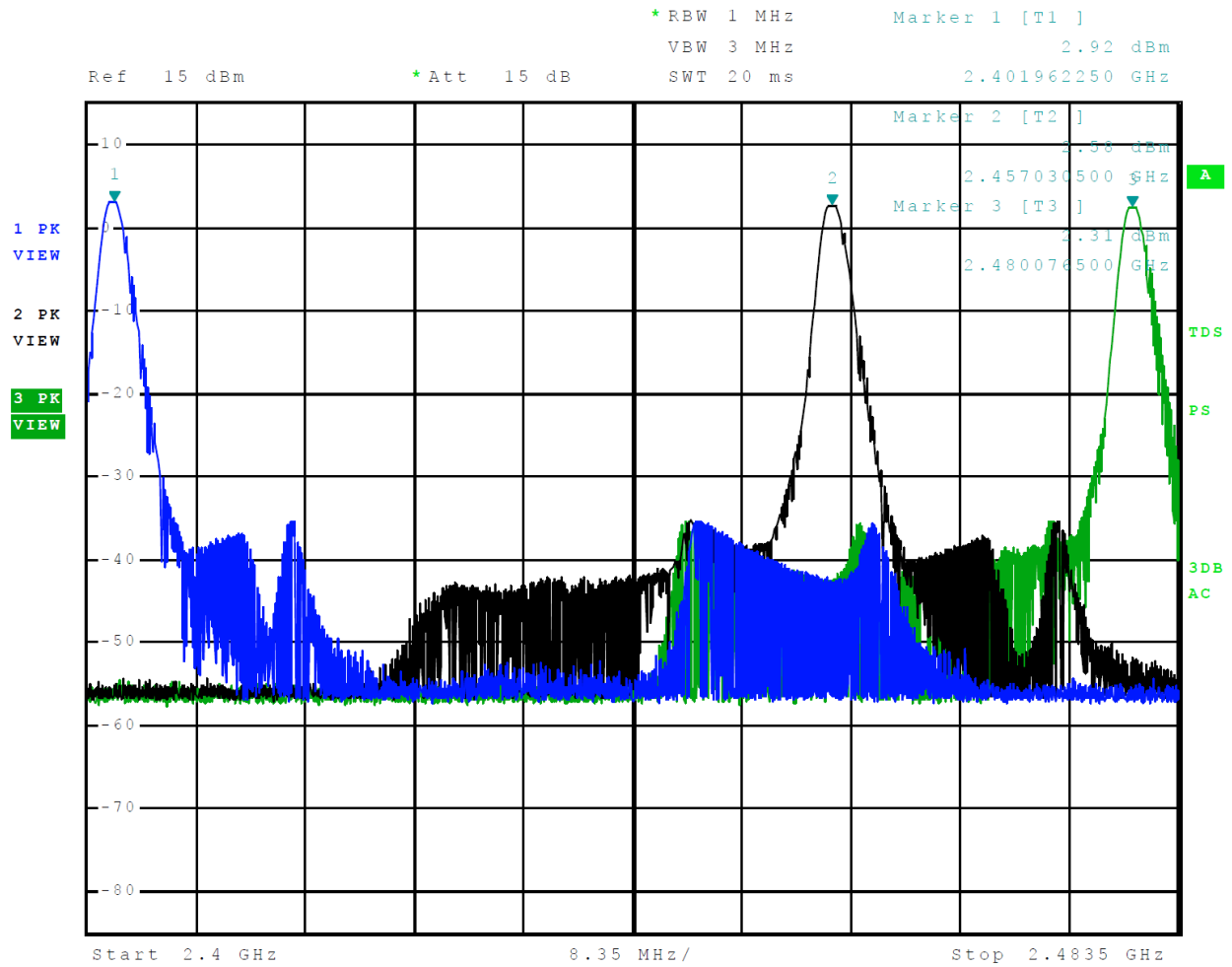


Figure 2 Plot of Transmitter Emissions Operation in 2402-2480 MHz Mode 2 BLE (GMSK)

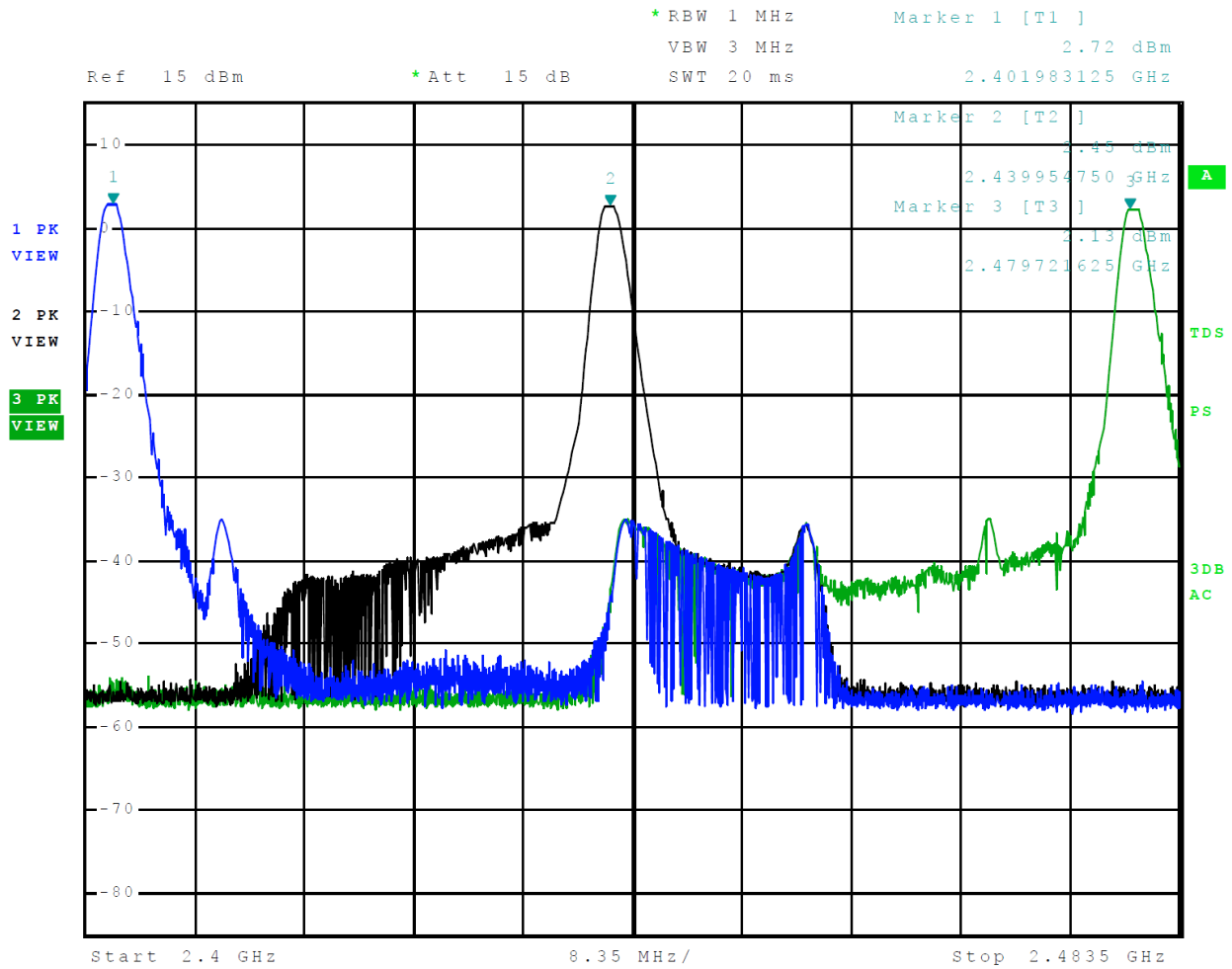


Figure 3 Plot of Transmitter Emissions Low Band Edge Mode 1 ANT (GFSK)

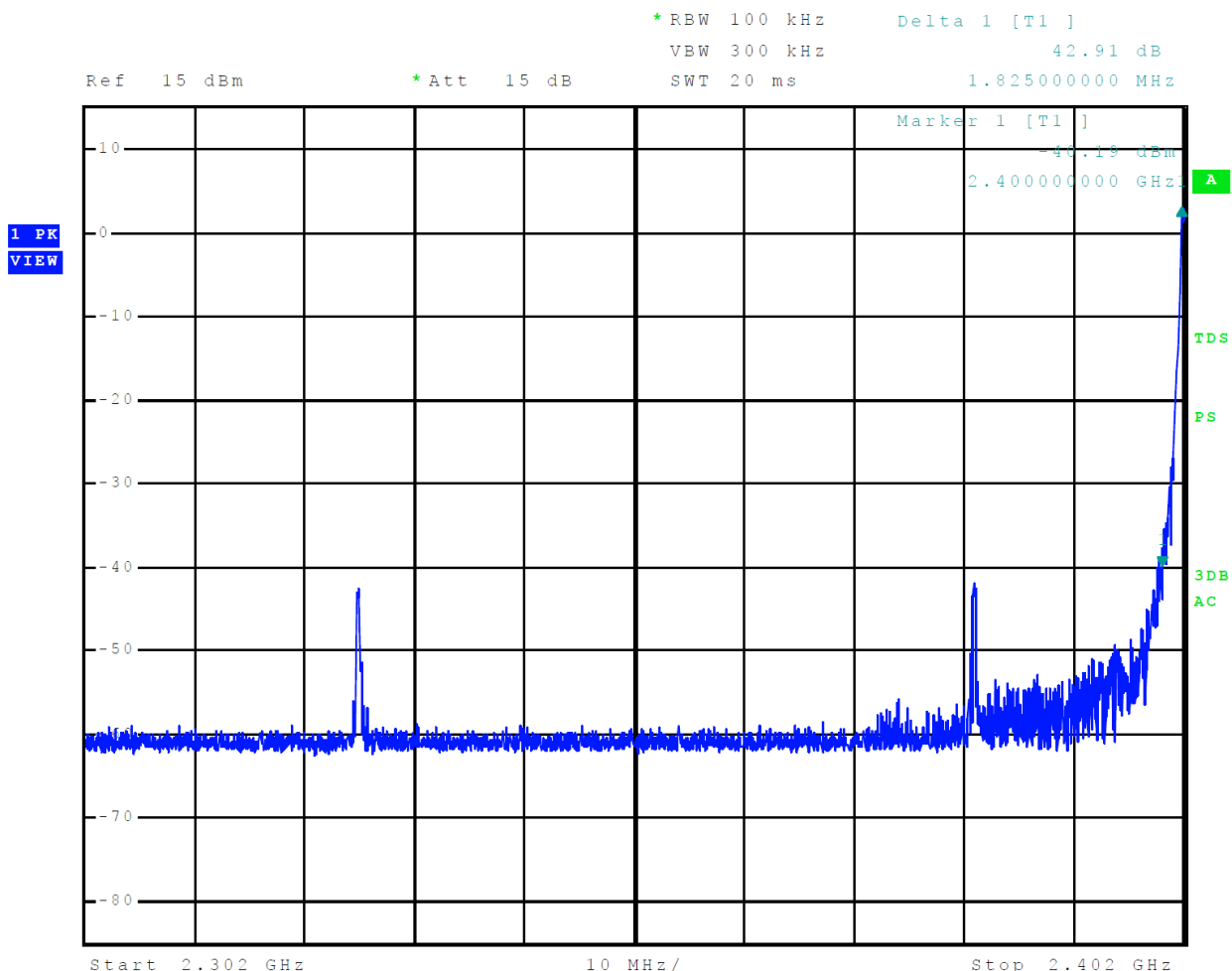


Figure 4 Plot of Transmitter Emissions Low Band Edge Mode 2 BLE (GMSK)

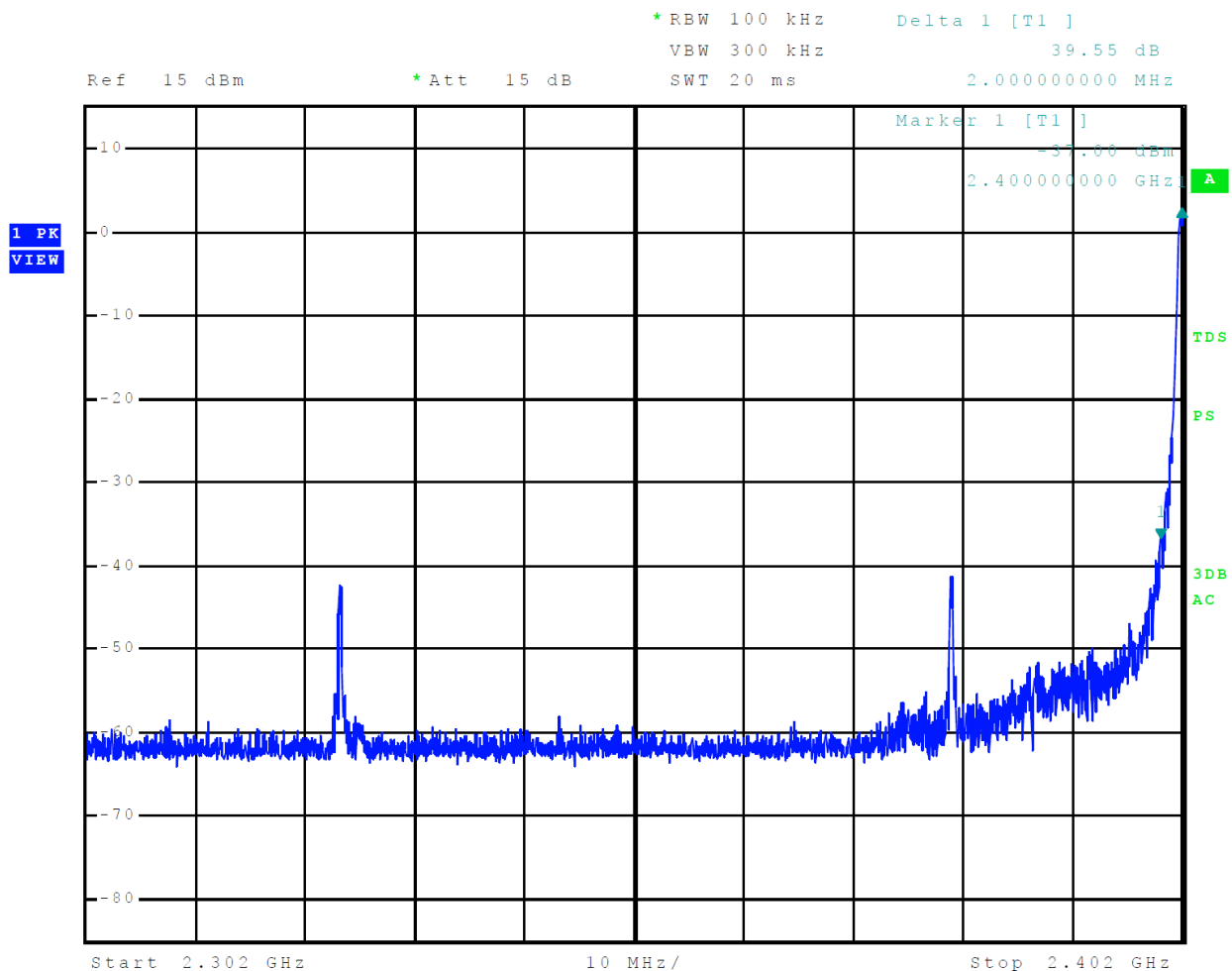


Figure 5 Plot of Transmitter Emissions High Band Edge Mode 1 ANT (GFSK)

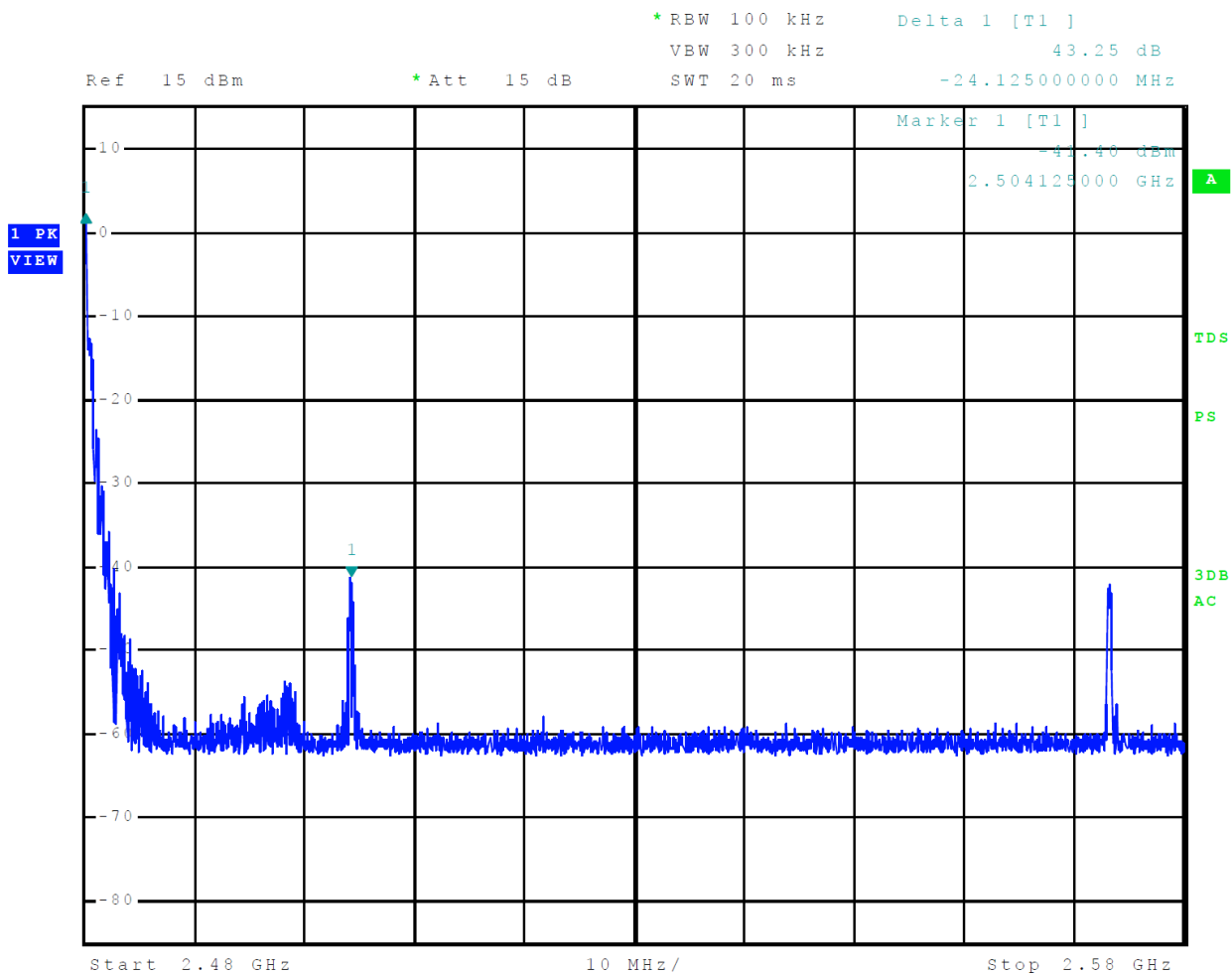


Figure 6 Plot of Transmitter Emissions High Band Edge Mode 2 BLE (GMSK)

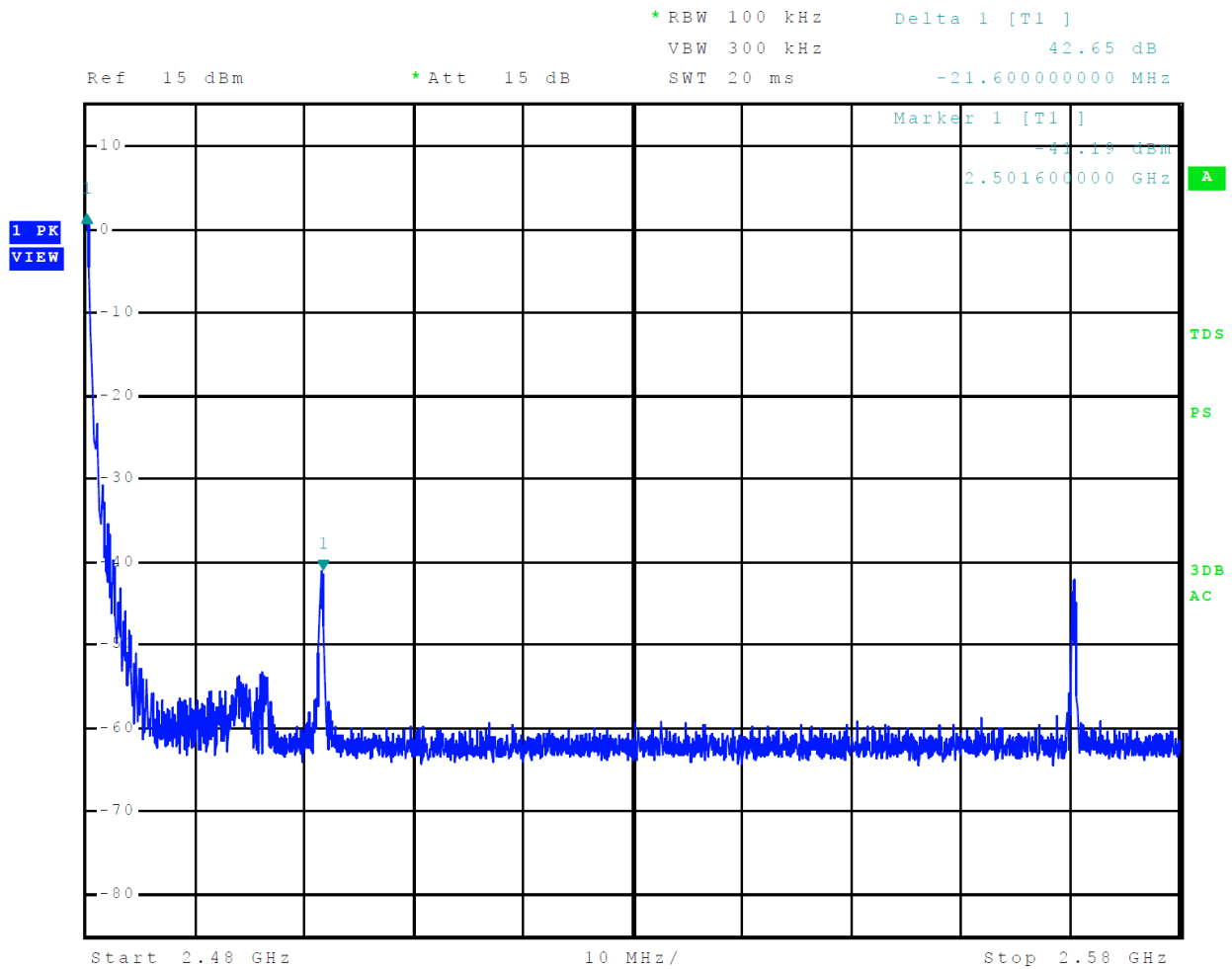


Figure 7 Plot of Transmitter Emissions 99% Occupied Bandwidth Mode 1 ANT (GFSK)

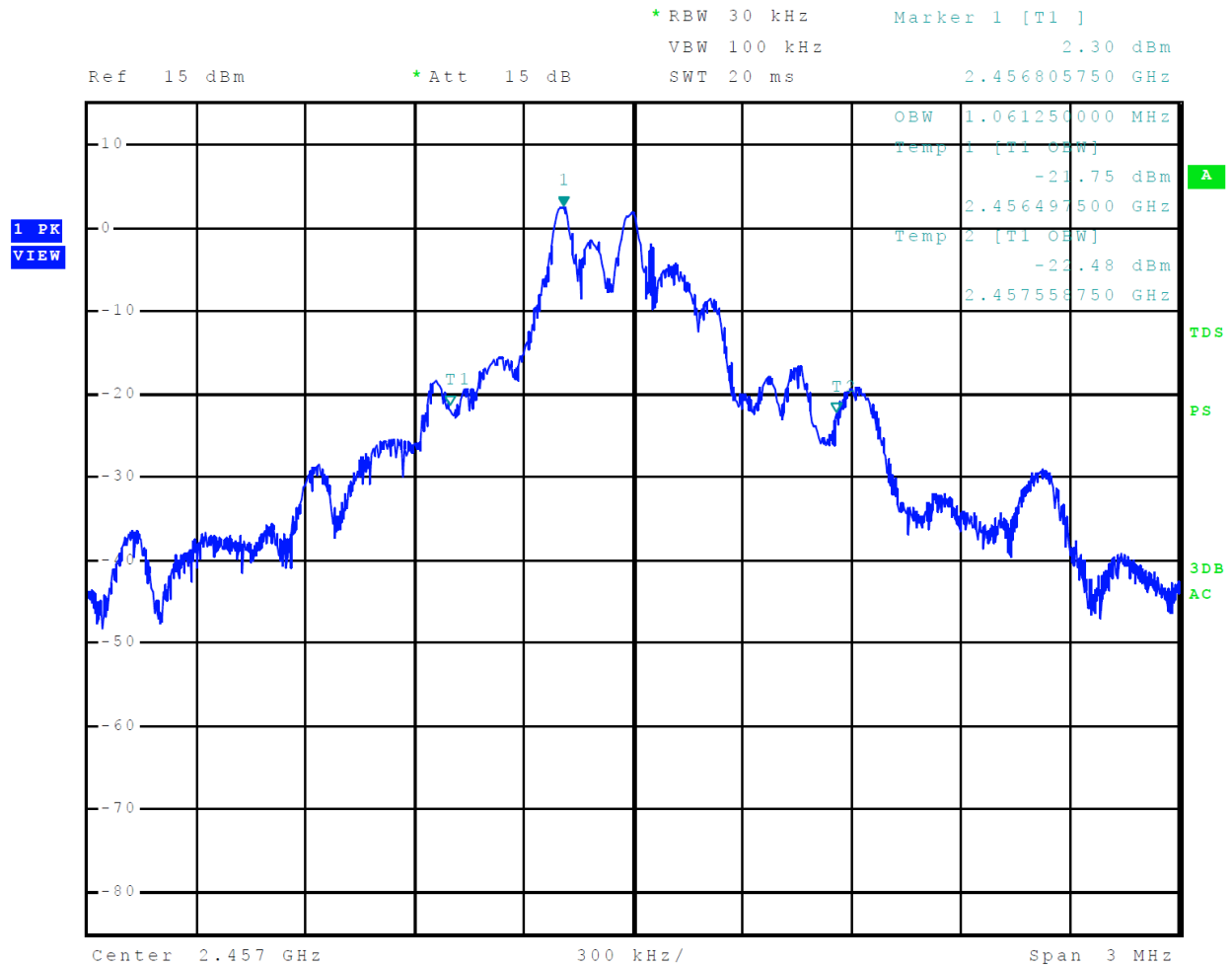
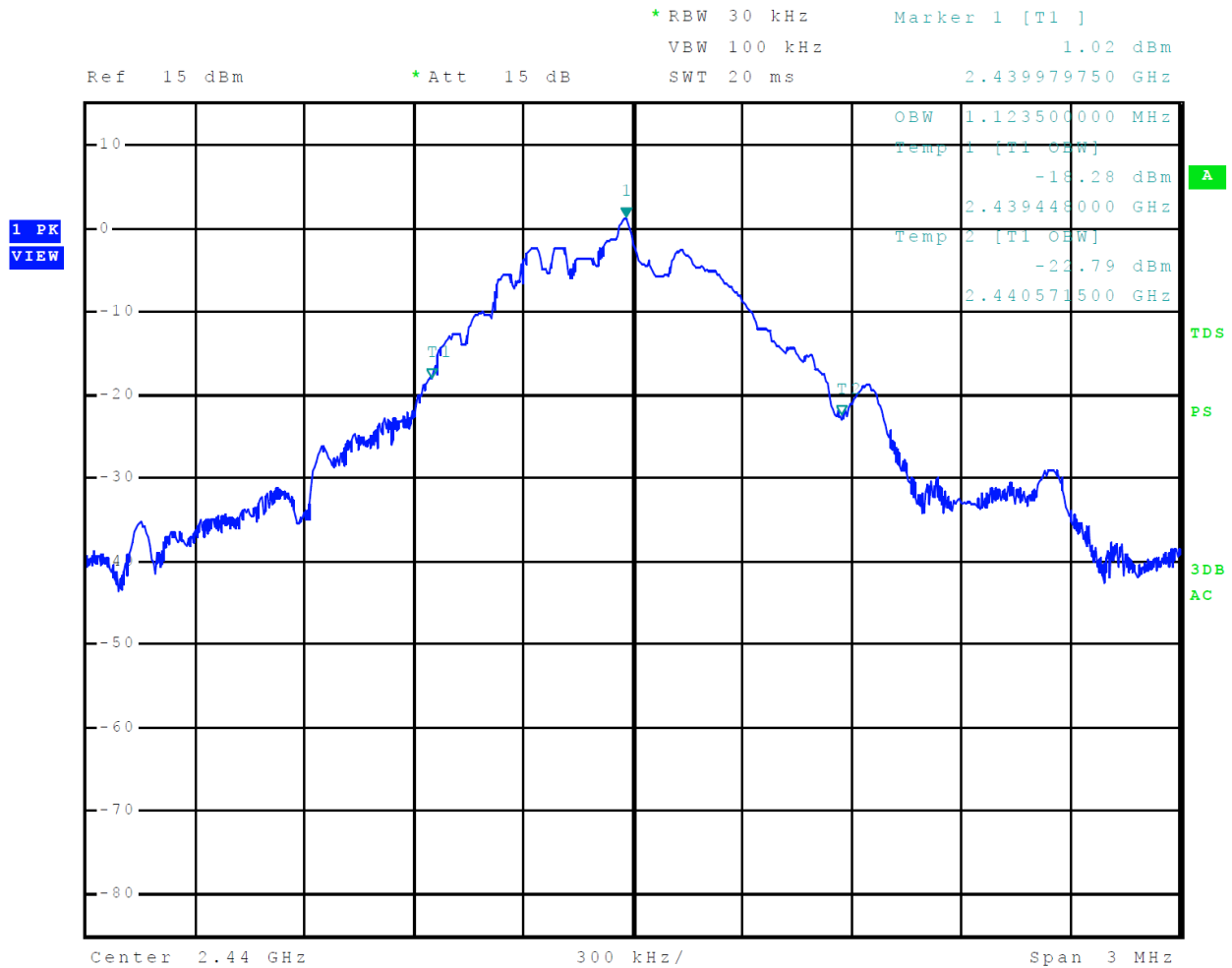


Figure 8 Plot of Transmitter Emissions 99% Occupied Bandwidth Mode 2 BLE (GMSK)



Transmitter Emissions Data

Table 3 Transmitter Radiated Emissions Mode 1 ANT (GFSK)

| Frequency in MHz | Horizontal Peak (dBμV/m) | Horizontal Average (dBμV/m) | Vertical Peak (dBμV/m) | Vertical Average (dBμV/m) | Limit @ 3m (dBμV/m) | Horizontal Margin (dB) | Vertical Margin (dB) |
|------------------|--------------------------|-----------------------------|------------------------|---------------------------|---------------------|------------------------|----------------------|
| 2402.0 | 88.9 | 56.5 | 97.7 | 64.8 | 94.0 | -37.5 | -29.2 |
| 4804.0 | 49.9 | 36.5 | 49.4 | 36.5 | 54.0 | -17.5 | -17.5 |
| 7206.0 | 53.6 | 40.4 | 53.3 | 40.4 | 54.0 | -13.6 | -13.6 |
| 9608.0 | 56.2 | 43.3 | 56.3 | 43.5 | 54.0 | -10.7 | -10.5 |
| 12010.0 | 59.1 | 46.3 | 58.8 | 45.9 | 54.0 | -7.7 | -8.1 |
| 14412.0 | 60.6 | 47.6 | 60.7 | 47.5 | 54.0 | -6.4 | -6.5 |
| 16814.0 | 64.2 | 51.0 | 63.6 | 51.0 | 54.0 | -3.0 | -3.0 |
| 2457.0 | 88.7 | 56.2 | 96.3 | 63.6 | 94.0 | -37.8 | -30.4 |
| 4914.0 | 50.5 | 36.5 | 49.7 | 36.5 | 54.0 | -17.5 | -17.5 |
| 7371.0 | 53.8 | 40.2 | 53.6 | 40.2 | 54.0 | -13.8 | -13.8 |
| 9828.0 | 56.4 | 43.4 | 56.8 | 44.0 | 54.0 | -10.6 | -10.0 |
| 12285.0 | 59.8 | 46.9 | 59.7 | 46.9 | 54.0 | -7.1 | -7.1 |
| 14742.0 | 61.2 | 48.5 | 61.1 | 48.5 | 54.0 | -5.5 | -5.5 |
| 17199.0 | 63.4 | 50.5 | 63.2 | 50.4 | 54.0 | -3.5 | -3.6 |
| 2480.0 | 88.4 | 54.1 | 96.2 | 61.7 | 94.0 | -39.9 | -32.3 |
| 4960.0 | 49.7 | 36.5 | 49.9 | 36.6 | 54.0 | -17.5 | -17.4 |
| 7440.0 | 53.1 | 40.5 | 54.5 | 40.6 | 54.0 | -13.5 | -13.4 |
| 9920.0 | 56.2 | 43.1 | 55.8 | 43.1 | 54.0 | -10.9 | -10.9 |
| 12400.0 | 59.6 | 46.2 | 58.9 | 46.3 | 54.0 | -7.8 | -7.7 |
| 14880.0 | 61.4 | 48.0 | 61.4 | 48.0 | 54.0 | -6.0 | -6.0 |
| 17360.0 | 63.5 | 50.9 | 64.4 | 51.0 | 54.0 | -3.1 | -3.0 |

Other emissions present had amplitudes at least 20 dB below the limit. Peak and Quasi-Peak amplitude emissions are recorded for frequency range below 1000 MHz. Peak and Average amplitude emissions are recorded for frequency range above 1000 MHz.

Rogers Labs, Inc.
 4405 West 259th Terrace
 Louisburg, KS 66053
 Phone/Fax: (913) 837-3214
 Revision 1

Garmin International, Inc.
 Model: AB2759
 Test: 220615
 Test to: 47CFR 15C, RSS-Gen RSS-210
 File: AB2759 DXX TstRpt 220615

SN's: 3415979883, 3415979878
 FCC ID: IPH-B2759
 IC: 1792A-B2759
 Date: August 15, 2022
 Page 29 of 37

Table 4 Transmitter Radiated Emissions Mode 1 BLE (GMSK)

| Frequency in MHz | Horizontal Peak (dBμV/m) | Horizontal Average (dBμV/m) | Vertical Peak (dBμV/m) | Vertical Average (dBμV/m) | Limit @ 3m (dBμV/m) | Horizontal Margin (dB) | Vertical Margin (dB) |
|------------------|--------------------------|-----------------------------|------------------------|---------------------------|---------------------|------------------------|----------------------|
| 2402.0 | 89.9 | 84.8 | 97.9 | 93.4 | 94.0 | -9.2 | -0.6 |
| 4804.0 | 49.6 | 36.6 | 50.1 | 36.6 | 54.0 | -17.4 | -17.4 |
| 7206.0 | 54.3 | 40.4 | 53.8 | 40.5 | 54.0 | -13.6 | -13.5 |
| 9608.0 | 56.7 | 43.5 | 57.0 | 43.3 | 54.0 | -10.5 | -10.7 |
| 12010.0 | 59.1 | 46.3 | 59.1 | 46.3 | 54.0 | -7.7 | -7.7 |
| 14412.0 | 60.7 | 47.8 | 60.9 | 47.8 | 54.0 | -6.2 | -6.2 |
| 16814.0 | 65.3 | 52.0 | 64.6 | 52.0 | 54.0 | -2.0 | -2.0 |
| 2440.0 | 88.8 | 84.1 | 96.9 | 92.4 | 94.0 | -9.9 | -1.6 |
| 4880.0 | 49.6 | 36.5 | 49.7 | 36.6 | 54.0 | -17.5 | -17.4 |
| 7320.0 | 53.9 | 40.6 | 53.1 | 40.5 | 54.0 | -13.4 | -13.5 |
| 9760.0 | 56.4 | 43.3 | 57.1 | 43.7 | 54.0 | -10.7 | -10.3 |
| 12200.0 | 59.8 | 47.1 | 59.4 | 46.9 | 54.0 | -6.9 | -7.1 |
| 14640.0 | 61.8 | 48.6 | 61.8 | 48.2 | 54.0 | -5.4 | -5.8 |
| 17080.0 | 64.0 | 51.1 | 64.8 | 51.1 | 54.0 | -2.9 | -2.9 |
| 2480.0 | 88.5 | 84.2 | 96.1 | 91.8 | 94.0 | -9.8 | -2.2 |
| 4960.0 | 49.5 | 36.6 | 49.7 | 36.6 | 54.0 | -17.4 | -17.4 |
| 7440.0 | 54.0 | 40.5 | 53.3 | 40.5 | 54.0 | -13.5 | -13.5 |
| 9920.0 | 56.5 | 43.6 | 56.0 | 43.1 | 54.0 | -10.4 | -10.9 |
| 12400.0 | 59.3 | 46.5 | 59.1 | 46.3 | 54.0 | -7.5 | -7.7 |
| 14880.0 | 61.2 | 48.1 | 61.2 | 48.2 | 54.0 | -5.9 | -5.8 |
| 17360.0 | 63.7 | 50.8 | 64.3 | 50.9 | 54.0 | -3.2 | -3.1 |

Other emissions present had amplitudes at least 20 dB below the limit. Peak and Quasi-Peak amplitude emissions are recorded for frequency range below 1000 MHz. Peak and Average amplitude emissions are recorded for frequency range above 1000 MHz.

Summary of Results for Transmitter Radiated Emissions of Intentional Radiator

The EUT demonstrated compliance with the radiated emissions requirements of 47CFR Part 15.249, Industry Canada RSS-210 Issue 10, and RSS-GEN Issue 5 Intentional Radiator regulations. The EUT worst-case test sample configuration demonstrated minimum average margin of -0.6 dB below the average emission limit for the fundamental. The EUT worst-case configuration demonstrated minimum radiated harmonic emission margin of -2.0 dB below the limit. No other radiated emissions were found in the restricted bands less than 20 dB below limits than those recorded in this report. Other emissions were present with amplitudes at least 20 dB below the limits.

Annex

- Annex A Measurement Uncertainty Calculations
- Annex B Test Equipment
- Annex C Rogers Qualifications
- Annex D Laboratory Certificate of Accreditation

Annex A Measurement Uncertainty Calculations

The measurement uncertainty was calculated for all measurements listed in this test report according To CISPR 16–4. Result of measurement uncertainty calculations are recorded below. Component and process variability of production devices similar to those tested may result in additional deviations. The manufacturer has the sole responsibility of continued compliance.

| Measurement | Expanded Measurement Uncertainty $U_{(lab)}$ |
|---|--|
| 3 Meter Horizontal 0.009-1000 MHz Measurements | 4.16 |
| 3 Meter Vertical 0.009-1000 MHz Measurements | 4.33 |
| 3 Meter Measurements 1-18 GHz | 5.14 |
| 3 Meter Measurements 18-40 GHz | 5.16 |
| 10 Meter Horizontal Measurements 0.009-1000 MHz | 4.15 |
| 10 Meter Vertical Measurements 0.009-1000 MHz | 4.32 |
| AC Line Conducted | 1.75 |
| Antenna Port Conducted power | 1.17 |
| Frequency Stability | 1.00E-11 |
| Temperature | 1.6°C |
| Humidity | 3% |

Annex B Test Equipment

| <u>Equipment</u> | <u>Manufacturer</u> | <u>Model (SN)</u> | <u>Band</u> | <u>Cal Date(m/d/y)</u> | <u>Due</u> |
|---|---------------------|---------------------------------|--------------|------------------------|------------|
| <input type="checkbox"/> LISN | FCC | FCC-LISN-50-25-10(1PA) (160611) | .15-30MHz | 3/29/2022 | 3/29/2023 |
| <input type="checkbox"/> LISN: Fischer Custom Communications Model: | | FCC-LISN-50-16-2-08 | | 3/29/2022 | 3/29/2023 |
| <input checked="" type="checkbox"/> Cable | Huber & Suhner Inc. | Sucoflex102ea(L10M)(303073) | 9kHz-40 GHz | 10/14/2021 | 10/14/2022 |
| <input type="checkbox"/> Cable | Huber & Suhner Inc. | Sucoflex102ea(1.5M)(303069) | 9kHz-40 GHz | 10/14/2021 | 10/14/2022 |
| <input checked="" type="checkbox"/> Cable | Huber & Suhner Inc. | Sucoflex102ea(1.5M)(303070) | 9kHz-40 GHz | 10/14/2021 | 10/14/2022 |
| <input type="checkbox"/> Cable | Belden | RG-58 (L1-CAT3-11509) | 9kHz-30 MHz | 10/14/2021 | 10/14/2022 |
| <input type="checkbox"/> Cable | Belden | RG-58 (L2-CAT3-11509) | 9kHz-30 MHz | 10/14/2021 | 10/14/2022 |
| <input checked="" type="checkbox"/> Antenna | Com Power | AL-130 (121055) | .001-30 MHz | 10/14/2021 | 10/14/2022 |
| <input type="checkbox"/> Antenna: | EMCO | 6509 | .001-30 MHz | 10/14/2020 | 10/14/2022 |
| <input type="checkbox"/> Antenna | ARA | BCD-235-B (169) | 20-350MHz | 10/14/2021 | 10/14/2022 |
| <input type="checkbox"/> Antenna: | Schwarzbeck Model | VHBB 9124 (1468) | 30-200MHz | 10/14/2020 | 10/14/2022 |
| <input checked="" type="checkbox"/> Antenna | Sunol | JB-6 (A100709) | 30-1000 MHz | 10/14/2021 | 10/14/2022 |
| <input type="checkbox"/> Antenna | ETS-Lindgren | 3147 (40582) | 200-1000MHz | 10/14/2020 | 10/14/2022 |
| <input type="checkbox"/> Antenna: | Schwarzbeck Model: | VULP 9118 (A-534) | 200-1000MHz | 10/14/2020 | 10/14/2022 |
| <input checked="" type="checkbox"/> Antenna | ETS-Lindgren | 3117 (200389) | 1-18 GHz | 3/29/2022 | 3/29/2024 |
| <input type="checkbox"/> Antenna | Com Power | AH-118 (10110) | 1-18 GHz | 10/14/2020 | 10/14/2022 |
| <input checked="" type="checkbox"/> Antenna | Com Power | AH-840 (101046) | 18-40 GHz | 4/6/2021 | 4/6/2023 |
| <input checked="" type="checkbox"/> Analyzer | Rohde & Schwarz | ESU40 (100108) | 20Hz-40GHz | 3/9/2022 | 3/9/2023 |
| <input checked="" type="checkbox"/> Analyzer | Rohde & Schwarz | ESW44 (101534) | 20Hz-44GHz | 1/18/2022 | 1/18/2023 |
| <input type="checkbox"/> Analyzer | Rohde & Schwarz | FS-Z60, 90, 140, and 220 | 40GHz-220GHz | 12/22/2017 | 12/22/2027 |
| <input checked="" type="checkbox"/> Amplifier | Com-Power | PA-010 (171003) | 100Hz-30MHz | 10/14/2021 | 10/14/2022 |
| <input checked="" type="checkbox"/> Amplifier | Com-Power | CPPA-102 (01254) | 1-1000 MHz | 10/14/2021 | 10/14/2022 |
| <input checked="" type="checkbox"/> Amplifier | Com-Power | PAM-118A (551014) | 0.5-18 GHz | 10/14/2021 | 10/14/2022 |
| <input checked="" type="checkbox"/> Amplifier | Com-Power | PAM-840A (461328) | 18-40 GHz | 10/14/2021 | 10/14/2022 |
| <input type="checkbox"/> Power Meter | Agilent | N1911A with N1921A | 0.05-40 GHz | 3/29/2022 | 3/29/2023 |
| <input type="checkbox"/> Generator | Rohde & Schwarz | SMB100A6 (100150) | 20Hz-6 GHz | 3/29/2022 | 3/29/2023 |
| <input type="checkbox"/> Generator | Rohde & Schwarz | SMBV100A6 (260771) | 20Hz-6 GHz | 3/29/2022 | 3/29/2023 |
| <input type="checkbox"/> RF Filter | Micro-Tronics | BRC50722 (009).9G notch | 30-18000 MHz | 4/6/2021 | 4/6/2023 |
| <input type="checkbox"/> RF Filter | Micro-Tronics | HPM50114 (017)1.5G HPF | 30-18000 MHz | 4/6/2021 | 4/6/2023 |
| <input type="checkbox"/> RF Filter | Micro-Tronics | HPM50117 (063) 3G HPF | 30-18000 MHz | 4/6/2021 | 4/6/2023 |
| <input type="checkbox"/> RF Filter | Micro-Tronics | HPM50105 (059) 6G HPF | 30-18000 MHz | 4/6/2021 | 4/6/2023 |
| <input checked="" type="checkbox"/> RF Filter | Micro-Tronics | BRM50702 (172) 2G notch | 30-18000 MHz | 4/6/2021 | 4/6/2023 |
| <input type="checkbox"/> RF Filter | Micro-Tronics | BRC50703 (G102) 5G notch | 30-18000 MHz | 4/6/2021 | 4/6/2023 |
| <input type="checkbox"/> RF Filter | Micro-Tronics | BRC50705 (024) 5G notch | 30-18000 MHz | 4/6/2021 | 4/6/2023 |
| <input type="checkbox"/> Attenuator | Fairview | SA6NFN100W-40 (1625) | 30-18000 MHz | 3/29/2022 | 3/29/2023 |
| <input checked="" type="checkbox"/> Attenuator | Mini-Circuits | VAT-3W2+ (1436) | 30-6000 MHz | 3/29/2022 | 3/29/2023 |
| <input type="checkbox"/> Attenuator | Mini-Circuits | VAT-3W2+ (1445) | 30-6000 MHz | 3/29/2022 | 3/29/2023 |
| <input type="checkbox"/> Attenuator | Mini-Circuits | VAT-3W2+ (1735) | 30-6000 MHz | 3/29/2022 | 3/29/2023 |
| <input type="checkbox"/> Attenuator | Mini-Circuits | VAT-6W2+ (1438) | 30-6000 MHz | 3/29/2022 | 3/29/2023 |
| <input type="checkbox"/> Attenuator | Mini-Circuits | VAT-6W2+ (1736) | 30-6000 MHz | 3/29/2022 | 3/29/2023 |
| <input checked="" type="checkbox"/> Weather station | Davis | 6312 (A81120N075) | | 11/4/2021 | 11/4/2022 |

Rogers Labs, Inc.
 4405 West 259th Terrace
 Louisburg, KS 66053
 Phone/Fax: (913) 837-3214
 Revision 1

Garmin International, Inc.
 Model: AB2759
 Test: 220615
 Test to: 47CFR 15C, RSS-Gen RSS-210
 File: AB2759 DXX TstRpt 220615

SN's: 3415979883, 3415979878
 FCC ID: IPH-B2759
 IC: 1792A-B2759
 Date: August 15, 2022
 Page 34 of 37

List of Test Equipment

Calibration Date (m/d/y) Due

| | | | | |
|-------------------------------------|---|---|------------|--------------|
| <input type="checkbox"/> | Antenna: | Schwarzbeck Model VHBB 9124 (01468) | 10/14/2020 | 10/14/2022 |
| <input type="checkbox"/> | Antenna: | Schwarzbeck Model: VULP 9118 A (VULP 9118 A-856) | 10/14/2020 | 10/14/2022 |
| <input type="checkbox"/> | Frequency Counter: | Leader LDC-825 (8060153) | 3/29/2022 | 4/6/2023 |
| <input type="checkbox"/> | ISN: Com-Power Model | ISN T-8 | 3/29/2022 | 3/29/2023 |
| <input type="checkbox"/> | LISN | Compliance Design FCC-LISN-2.Mod.cd,(126) .15-30MHz | 10/14/2021 | 10/14/2022 |
| <input type="checkbox"/> | LISN: Com-Power Model | LI-220A | 10/14/2020 | 10/14/2022 |
| <input type="checkbox"/> | LISN: Com-Power Model | LI-550C | 10/14/2020 | 10/14/2022 |
| <input type="checkbox"/> | Cable | Huber & Suhner Inc. Sucoflex102ea(1.5M)(303072) 9kHz-40 GHz | 10/14/2021 | 10/14/2022 |
| <input type="checkbox"/> | Cable | Huber & Suhner Inc. Sucoflex102ea(L1M)(281183) 9kHz-40 GHz | 10/14/2021 | 10/14/2022 |
| <input type="checkbox"/> | Cable | Huber & Suhner Inc. Sucoflex102ea(L4M)(281184) 9kHz-40 GHz | 10/14/2021 | 10/14/2022 |
| <input type="checkbox"/> | Cable | Huber & Suhner Inc. Sucoflex102ea(L10M)(317546)9kHz-40 GHz | 10/14/2021 | 10/14/2022 |
| <input type="checkbox"/> | Cable | Time Microwave 4M-750HF290-750 (4M) 9kHz-24 GHz | 10/14/2021 | 10/14/2022 |
| <input type="checkbox"/> | RF Filter | Micro-Tronics BRC17663 (001) 9.3-9.5 notch 30-1800 MHz | 4/6/2021 | 4/6/2023 |
| <input type="checkbox"/> | RF Filter | Micro-Tronics BRC19565 (001) 9.2-9.6 notch 30-1800 MHz | 10/14/2021 | 10/14/2023 |
| <input type="checkbox"/> | Analyzer | HP 8562A (3051A05950) 9kHz-125GHz | 3/29/2022 | 3/29/2023 |
| <input type="checkbox"/> | Wave Form Generator | Keysight 33512B (MY57400128) | 3/29/2022 | 3/29/2023 |
| <input type="checkbox"/> | Antenna: | Solar 9229-1 & 9230-1 | 2/22/2022 | 2/22/2023 |
| <input type="checkbox"/> | CDN: Com-Power Model | CDN325E | 10/14/2021 | 10/14/2022 |
| <input type="checkbox"/> | Injection Clamp | Luthi Model EM101 | 10/14/2021 | 10/14/2022 |
| <input type="checkbox"/> | Oscilloscope Scope: | Tektronix MDO 4104 | 2/22/2022 | 2/22/2023 |
| <input type="checkbox"/> | EMC Transient Generator | HVT TR 3000 | 2/22/2022 | 2/22/2023 |
| <input type="checkbox"/> | AC Power Source (Ametech, California Instruments) | | 2/22/2022 | 2/22/2023 |
| <input type="checkbox"/> | Field Intensity Meter: | EFM-018 | 2/22/2022 | 2/22/2023 |
| <input type="checkbox"/> | ESD Simulator: | MZ-15 | 2/22/2022 | 2/22/2023 |
| <input type="checkbox"/> | R.F. Power Amp | ACS 230-50W | | not required |
| <input type="checkbox"/> | R.F. Power Amp | EIN Model: A301 | | not required |
| <input type="checkbox"/> | R.F. Power Amp | A.R. Model: 10W 1010M7 | | not required |
| <input type="checkbox"/> | R.F. Power Amp | A.R. Model: 50U1000 | | not required |
| <input type="checkbox"/> | Temperature Chamber | | | not required |
| <input checked="" type="checkbox"/> | Shielded Room | | | not required |

Annex C Rogers Qualifications

Scot D. Rogers, Engineer

Rogers Labs, Inc.

Mr. Rogers has approximately 35 years' experience in the field of electronics. Working experience includes six years working in the automated controls industry and 6 years working with the design, development and testing of radio communications and electronic equipment.

Positions Held:

Systems Engineer: A/C Controls Mfg. Co., Inc.

Electrical Engineer: Rogers Consulting Labs, Inc.

Electrical Engineer: Rogers Labs, Inc. Current

Educational Background:

Bachelor of Science Degree in Electrical Engineering from Kansas State University

Bachelor of Science Degree in Business Administration Kansas State University

Several Specialized Training courses and seminars pertaining to Microprocessors and Software programming

Annex D Laboratory Certificate of Accreditation

United States Department of Commerce
National Institute of Standards and Technology



Certificate of Accreditation to ISO/IEC 17025:2017

NVLAP LAB CODE: 200087-0

Rogers Labs, Inc.
Louisburg, KS

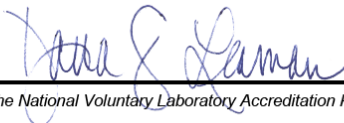
*is accredited by the National Voluntary Laboratory Accreditation Program for specific services,
listed on the Scope of Accreditation, for:*

Electromagnetic Compatibility & Telecommunications

*This laboratory is accredited in accordance with the recognized International Standard ISO/IEC 17025:2017.
This accreditation demonstrates technical competence for a defined scope and the operation of a laboratory quality
management system (refer to joint ISO-ILAC-IAF Communiqué dated January 2009).*

2022-03-22 through 2023-03-31
Effective Dates




For the National Voluntary Laboratory Accreditation Program

Rogers Labs, Inc.
4405 West 259th Terrace
Louisburg, KS 66053
Phone/Fax: (913) 837-3214
Revision 1

Garmin International, Inc.
Model: AB2759
Test: 220615
Test to: 47CFR 15C, RSS-Gen RSS-210
File: AB2759 DXX TstRpt 220615

SN's: 3415979883, 3415979878
FCC ID: IPH-B2759
IC: 1792A-B2759
Date: August 15, 2022
Page 37 of 37