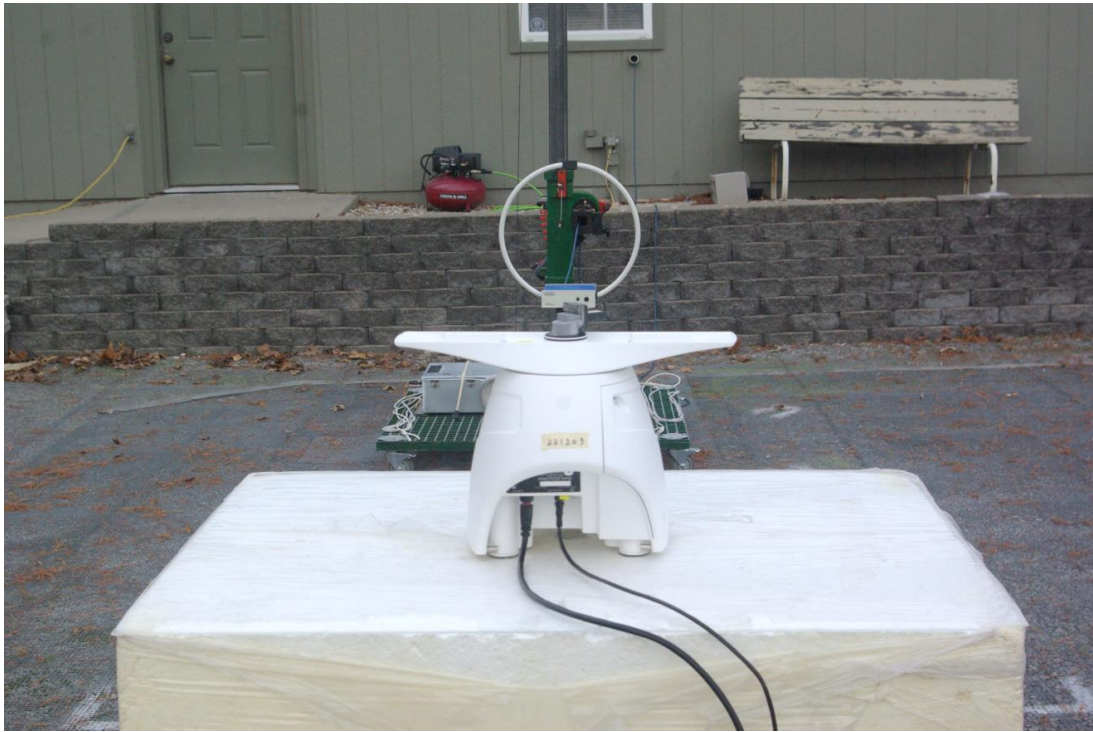


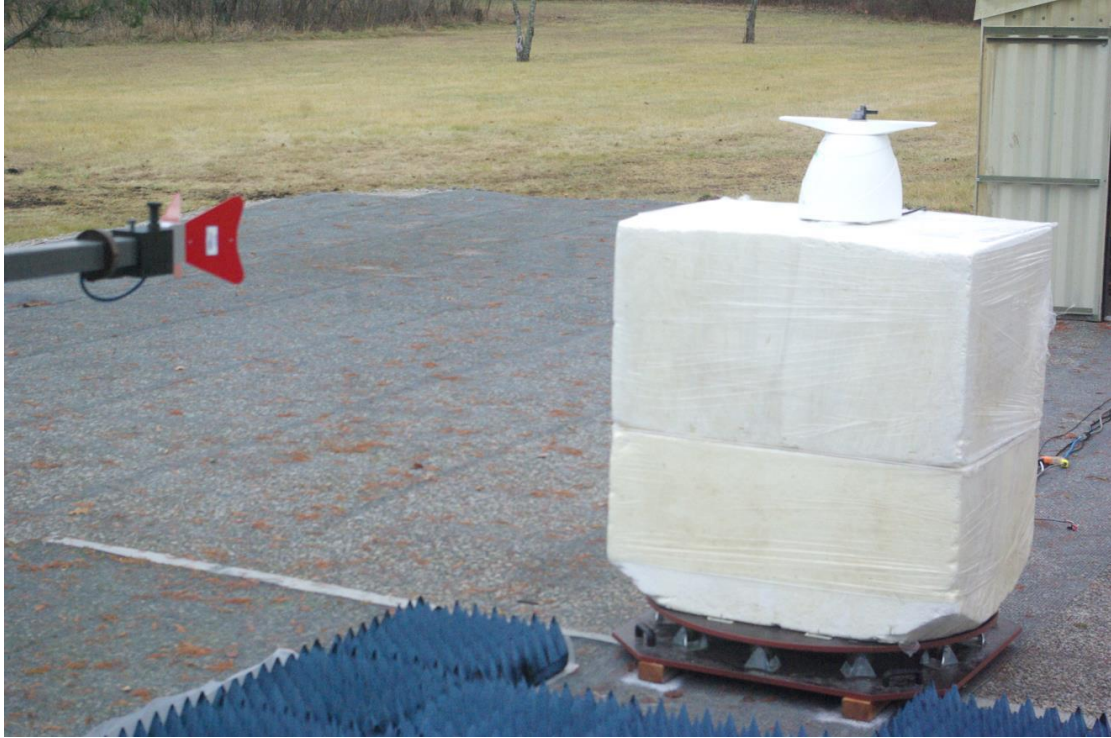
A04560, AA4560, AB4560 Test Setup Photos



Field Strength of Spurious Radiated Emissions Test Setup



Field Strength of Spurious Radiated Emissions Test Setup

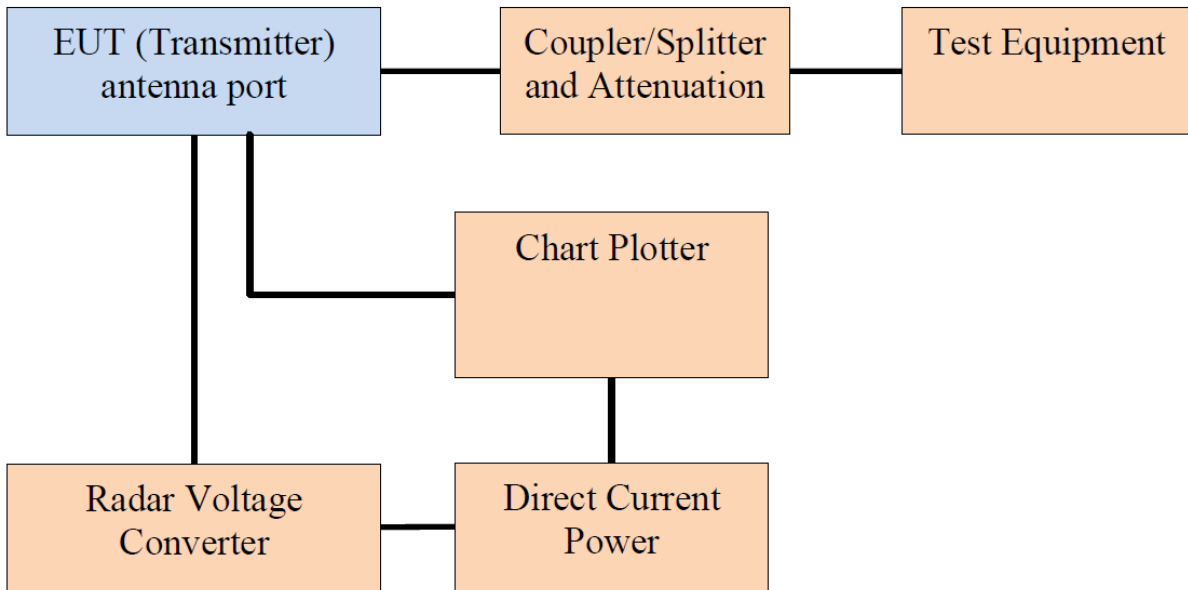


Field Strength of Spurious Radiated Emissions Test Setup



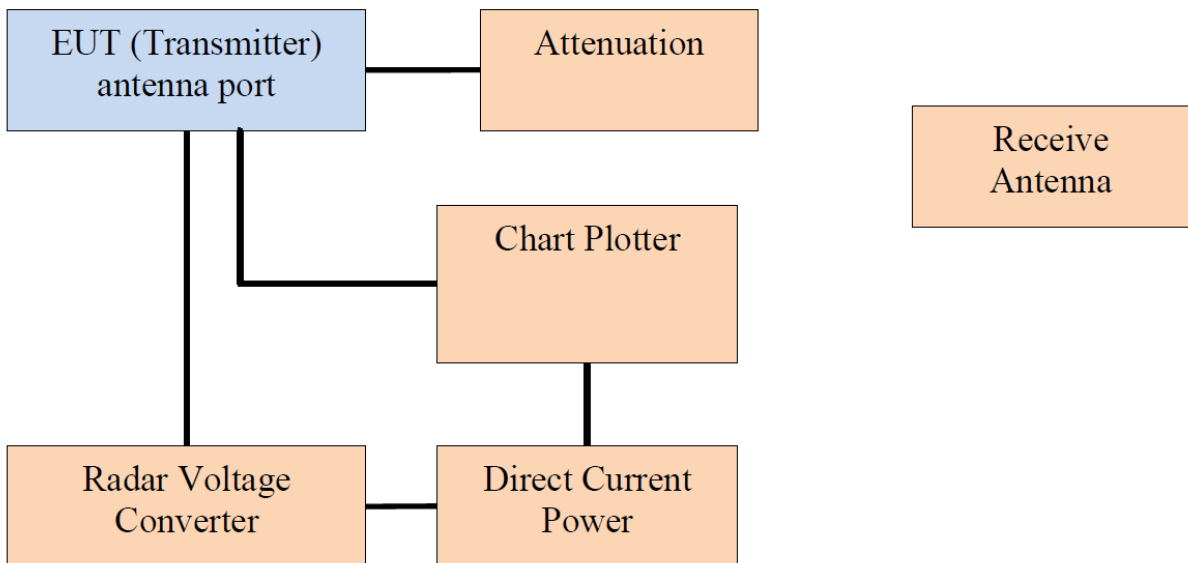
Antenna Port Conducted Emissions Test Setup

Test Arrangement



Test Setup for Modulation Characteristics, Occupied Bandwidth, RF Output, Spurious Emissions at antenna terminal, Emission Limitations In-Band (Mask), Emission Limitations Out-of-Band

Test Arrangement



Field Strength of Spurious Radiated Emissions

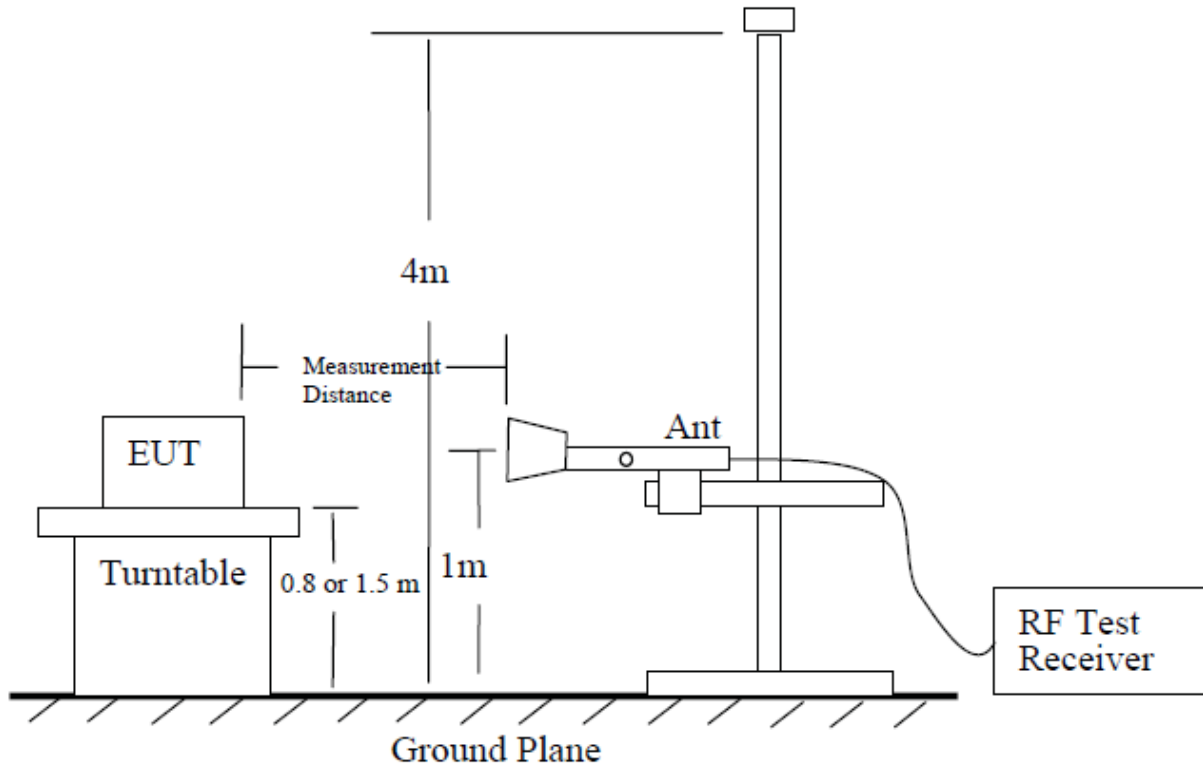
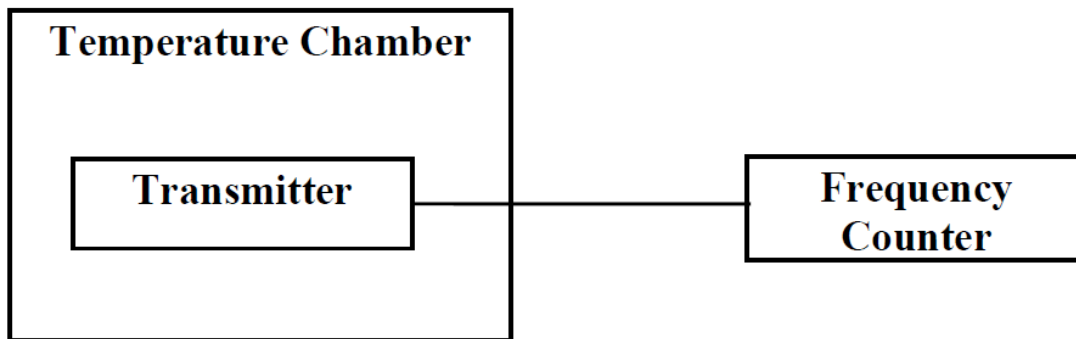


Figure 4—Test set-up for radiated spurious measurements

Test Arrangement



Frequency Stability