

Description : 35354 Iridium Patch Antenna

PART NUMBER : ANT3535B002T1621S

Features:

- Size : 35x35x4
- High radiation efficiency
- Iridium band
- Pin-solder process
- RoHS compliant

Applications:

- Iridium system
- Navigation device
- Telematics box
- Fleet management

All dimensions are in mm / inches

In the effort to improve our products, we reserve the right to make changes judged to be necessary.

CONFIDENTIAL AND PROPRIETARY INFORMATION

This document contains confidential and proprietary information of Pulse Electronics, Inc. (Pulse) and is protected by copyright, trade secret and other state and federal laws. Its receipt or possession does not convey any rights to reproduce, disclose its contents, or to manufacture, use or sell anything it may describe. Reproduction, disclosure or use without specific written authorization of Pulse is strictly forbidden.

For more information:

Pulse Worldwide Headquarters
15255 Innovation Drive #100
San Diego, CA 92128
USA
Tel: 1-858-674-8100

Pulse/Larsen Antennas
18110 SE 34th St Bldg 2 Suite 250
Vancouver, WA 98683
USA
Tel: 1-360-944-7551

Europe Headquarters
Pulse GmbH & Do, KG
Zeppelinstrasse 15
Herrenberg, Germany
Tel: 49 7032 7806 0

Pulse (Suzhou) Wireless Products Co, Inc.
99 Huo Ju Road(#29 Bldg,4th Phase
Suzhou New District
Jiangsu Province, Suzhou 215009 PR China
Tel: 86 512 6807 9998



Description : 35354 Iridium Patch Antenna

PART NUMBER : ANT3535B002T1621S

ELECTRICAL SPECIFICATIONS

Working Frequency	1616 MHz ~ 1626.5 MHz
Center Frequency	1621 ± 3 MHz
Gain (@ Zenith)	4.7 dBic (Typ.)
Bandwidth (@ -10dB R.L.)	50 MHz(Min.)
VSWR	1.5 Max.
Polarization	RHCP
Axial Ratio	≤ 5 dB
Impedance	50 Ω
Operating Temperature	-40 ~ 85 °C

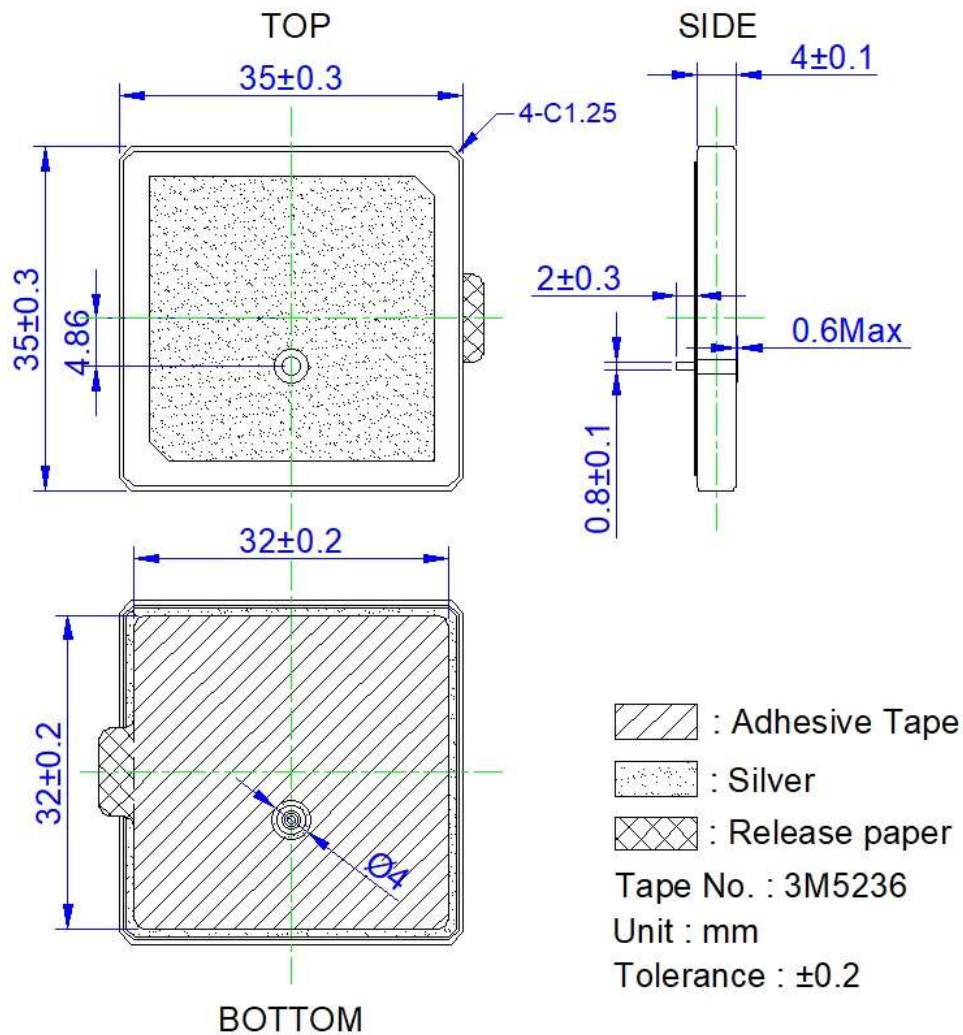
NOTE

1. Based on customer's PCB board and housing.
2. Centre frequency will be offset to working frequency while changes of customer's housing and ground plane.

Description : 35354 Iridium Patch Antenna

PART NUMBER : ANT3535B002T1621S

MECHANICAL DRAWING



In the effort to improve our products, we reserve the right to make changes judged to be necessary.

CONFIDENTIAL AND PROPRIETARY INFORMATION

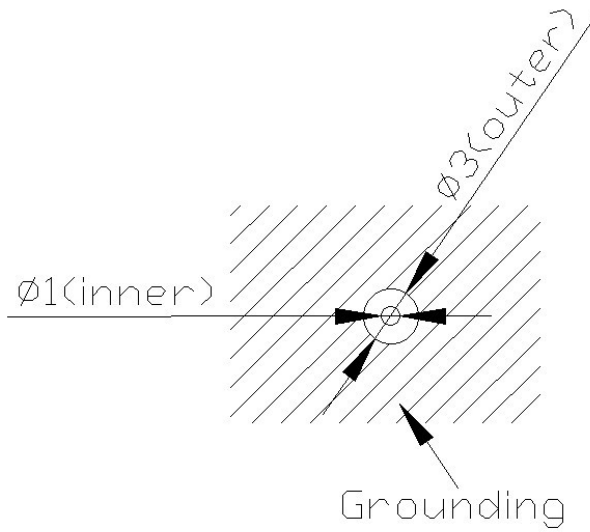
This document contains confidential and proprietary information of Pulse Electronics, Inc. (Pulse) and is protected by copyright, trade secret and other state and federal laws. Its receipt or possession does not convey any rights to reproduce, disclose its contents, or to manufacture, use or sell anything it may describe. Reproduction, disclosure or use without specific written authorization of Pulse is strictly forbidden.

Description : 35354 Iridium Patch Antenna

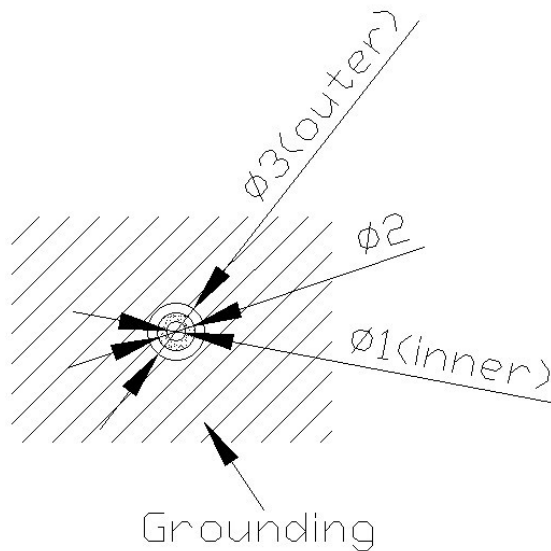
PART NUMBER : ANT3535B002T1621S



FOOTPRINT

Top View



Bottom View



-  : Pin feed soldering pad
-  : Grounding
- Unit : mm

In the effort to improve our products, we reserve the right to make changes judged to be necessary.

CONFIDENTIAL AND PROPRIETARY INFORMATION

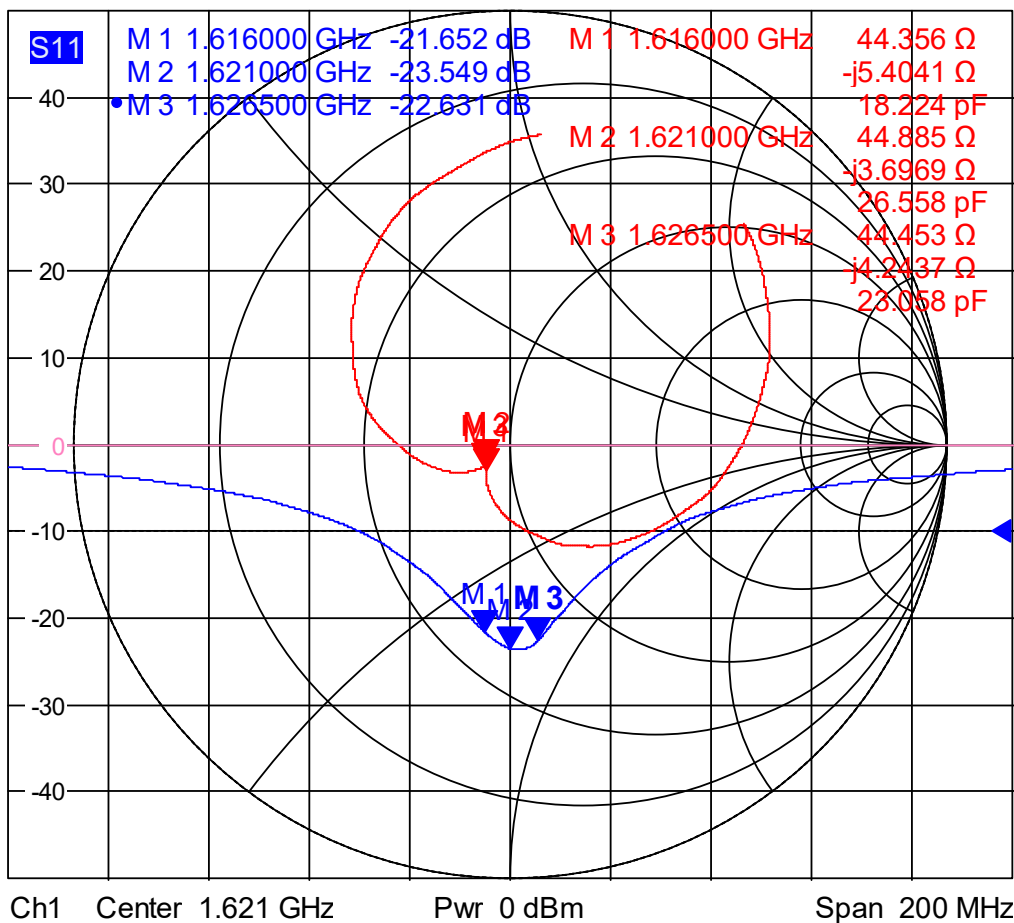
This document contains confidential and proprietary information of Pulse Electronics, Inc. (Pulse) and is protected by copyright, trade secret and other state and federal laws. Its receipt or possession does not convey any rights to reproduce, disclose its contents, or to manufacture, use or sell anything it may describe. Reproduction, disclosure or use without specific written authorization of Pulse is strictly forbidden.

Description : 35354 Iridium Patch Antenna

PART NUMBER : ANT3535B002T1621S

RETURN LOSS

Trc1 **S11** dB Mag 10 dB / Ref -10 dB Cal int 1 of 1 (Max)
Trc2 **S11** Smith Ref 1 U Cal int



In the effort to improve our products, we reserve the right to make changes judged to be necessary.

CONFIDENTIAL AND PROPRIETARY INFORMATION

This document contains confidential and proprietary information of Pulse Electronics, Inc. (Pulse) and is protected by copyright, trade secret and other state and federal laws. Its receipt or possession does not convey any rights to reproduce, disclose its contents, or to manufacture, use or sell anything it may describe. Reproduction, disclosure or use without specific written authorization of Pulse is strictly forbidden.

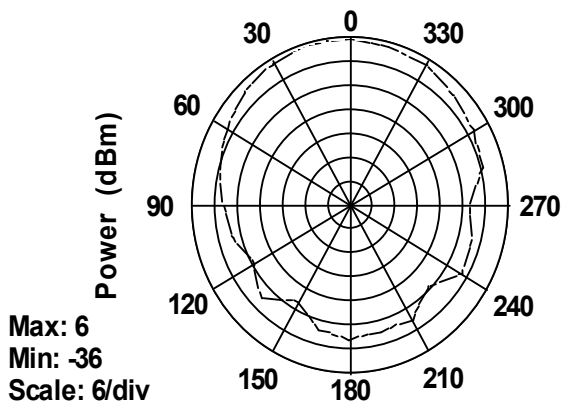


Description : 35354 Iridium Patch Antenna

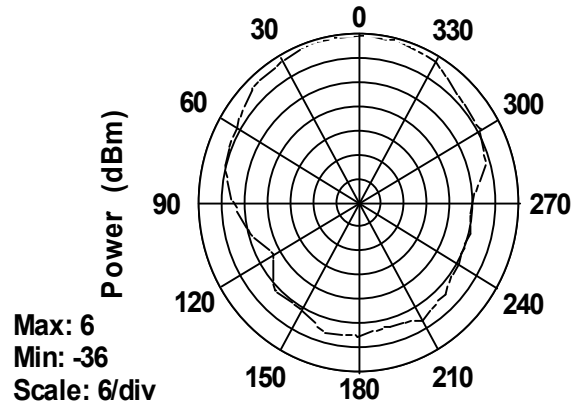
PART NUMBER : ANT3535B002T1621S

RADIATION PATTERN

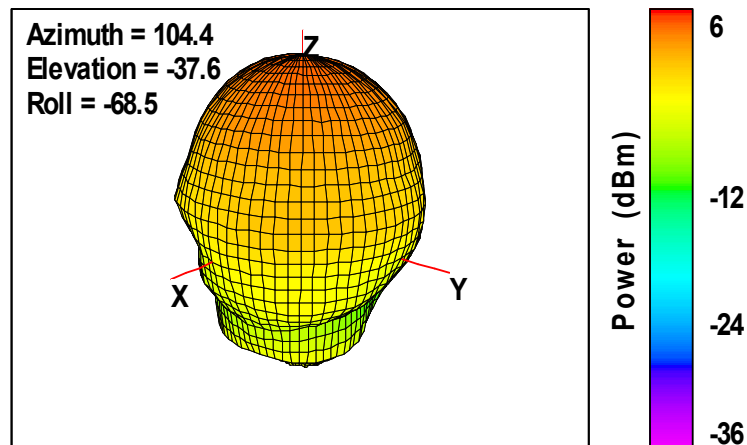
1621 MHz



2D x-z plane pattern



2D y-z plane pattern



3D radiation pattern

In the effort to improve our products, we reserve the right to make changes judged to be necessary.

CONFIDENTIAL AND PROPRIETARY INFORMATION

This document contains confidential and proprietary information of Pulse Electronics, Inc. (Pulse) and is protected by copyright, trade secret and other state and federal laws. Its receipt or possession does not convey any rights to reproduce, disclose its contents, or to manufacture, use or sell anything it may describe. Reproduction, disclosure or use without specific written authorization of Pulse is strictly forbidden.

Description : 35354 Iridium Patch Antenna

PART NUMBER : ANT3535B002T1621S

PART NUMBER

Pulse Part Number are identified by the series, packing method, material/process, size, antenna serial no., and working frequency :

Pulse Part Number :

ANT 3535 B 002 T 1621 S
F S T N P W

F, Family Code

ANT = Antenna

S, Size

3535 = 35x35 mm

T, Type

B = Ceramic Bulk

N, Serial No

002

P, Packing Style

T = Tray packing

W, Working Frequency

1621 = for 1.621GHz application

Description : 35354 Iridium Patch Antenna

PART NUMBER : ANT3535B002T1621S

REVISION HISTORY

Revision	Date	Description
Version 1	Mar. 2023	- New Issue

In the effort to improve our products, we reserve the right to make changes judged to be necessary.

CONFIDENTIAL AND PROPRIETARY INFORMATION

This document contains confidential and proprietary information of Pulse Electronics, Inc. (Pulse) and is protected by copyright, trade secret and other state and federal laws. Its receipt or possession does not convey any rights to reproduce, disclose its contents, or to manufacture, use or sell anything it may describe. Reproduction, disclosure or use without specific written authorization of Pulse is strictly forbidden.

