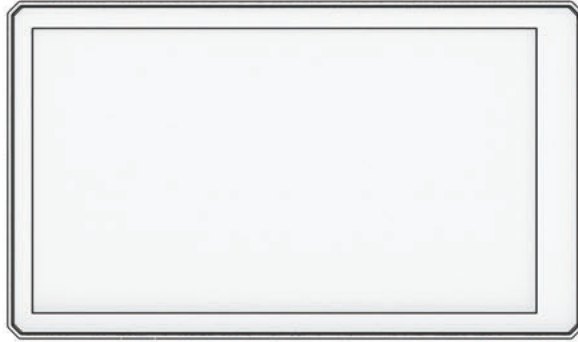




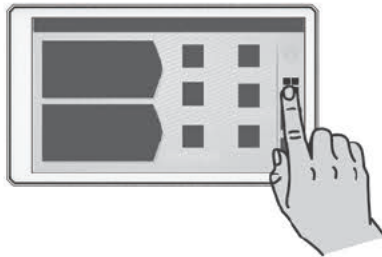
ZÜMO® XT2



GARMIN®

Manuals and Regulatory Information • Manuels et informations réglementaires
Manuali e note legali • Handbücher und aufsichtsrechtliche Informationen
Manuales e información sobre las normativas vigentes • Manuais e informações regulamentares

①



②



garmin.com/manuals/zumoXT2

© 2023 Garmin Ltd. or its subsidiaries

Garmin®, the Garmin logo, Tread®, and zümo® are trademarks of Garmin Ltd. or its subsidiaries, registered in the USA and other countries. These trademarks may not be used without the express permission of Garmin.

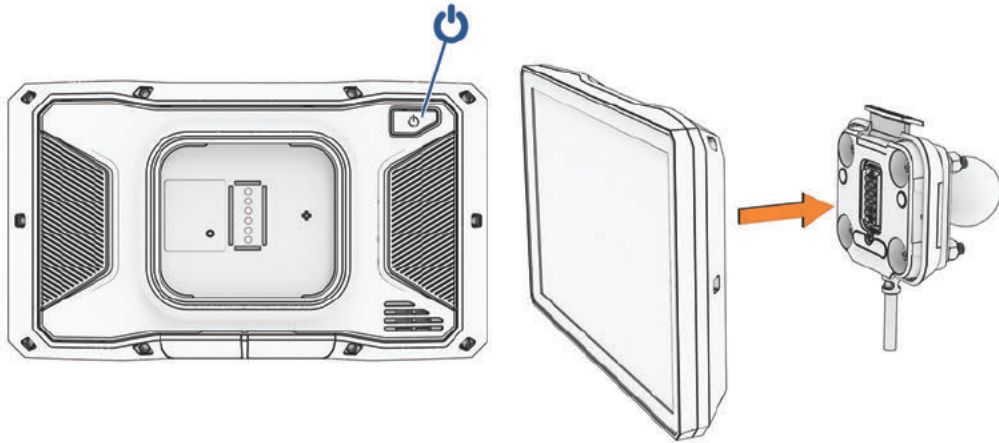


Printed in Taiwan
January 2023
I90-03002-01_0A



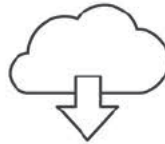


Set Up • Configuration • Configurazione • Einrichtung • Configurar • Configurar



Live Services • Services Live • Servizi Live • Live-Dienste • Servicios en directo • Serviços Live

garmin.com/treadapp



support.garmin.com

