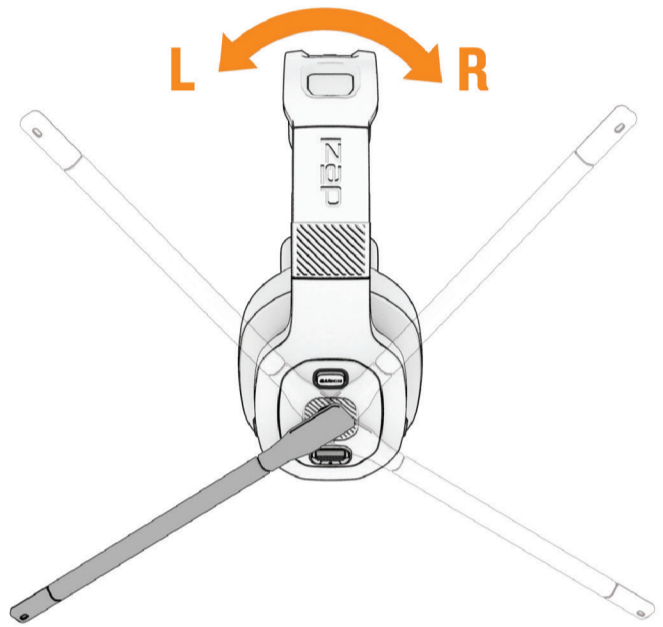




Dēzl™ HEADSET 200



GARMIN®



support.garmin.com

© 2022 Garmin Ltd. or its subsidiaries

Garmin® and the Garmin logo are trademarks of Garmin Ltd. or its subsidiaries, registered in the USA and other countries. Dēzl™ is a trademark of Garmin Ltd. or its subsidiaries. These trademarks may not be used without the express permission of Garmin.

Wireless frequency: 2.4 GHz @ 8 dBm maximum



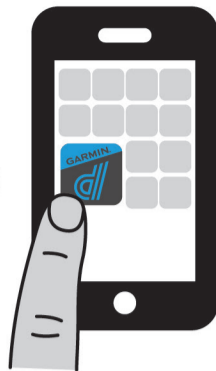
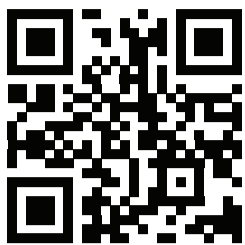
Printed in Taiwan
January 2022
190-02920-01_0A





1

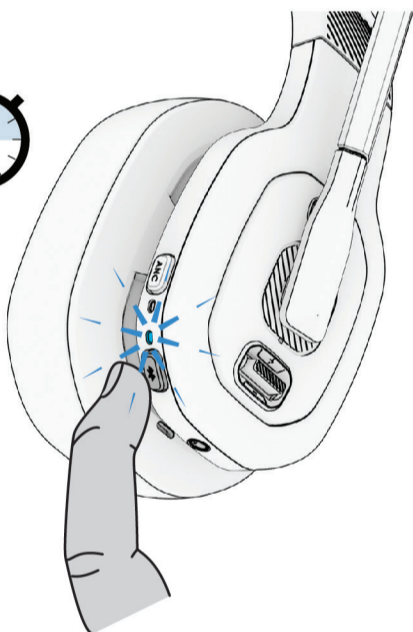
garmin.com/dezlapp



2

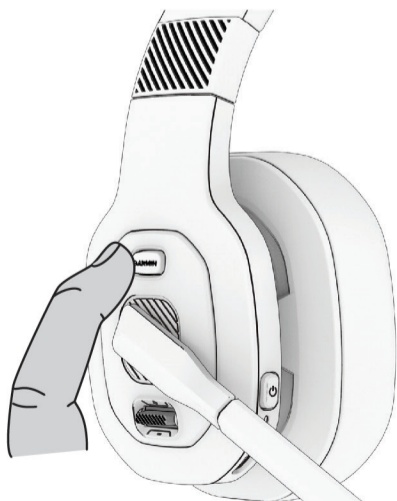


3



OK Garmin

Voice Assistant • Assistant vocal • Assistente vocale
Sprachassistent • Asistente de voz



Manuals and Regulatory Information • Manuels et informations réglementaires • Manuali e note legali
Handbücher und Regulierungsinformationen • Manuales e información legal



garmin.com/manuals/dezlheadset

