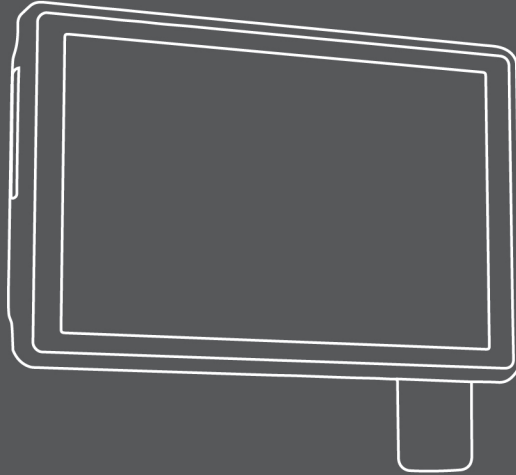




# TREAD® – OVERLAND EDITION



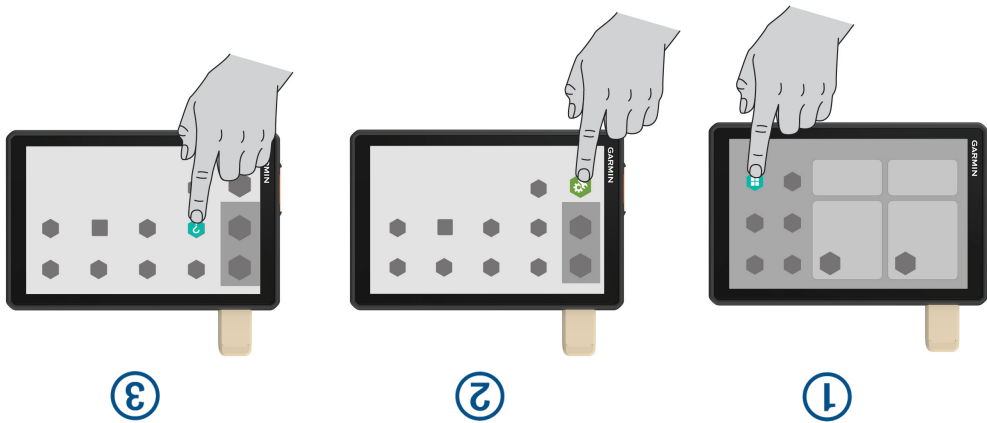
[support.garmin.com](http://support.garmin.com)

© 2021 Garmin Ltd. or its subsidiaries

Garmin®, the Garmin logo, and Tread® are trademarks of Garmin Ltd. or its subsidiaries, registered in the USA and other countries. Garmin Explore™ is a trademark of Garmin Ltd. or its subsidiaries. These trademarks may not be used without the express permission of Garmin.



Printed in Taiwan  
November 2021  
I90-02894-01\_0A

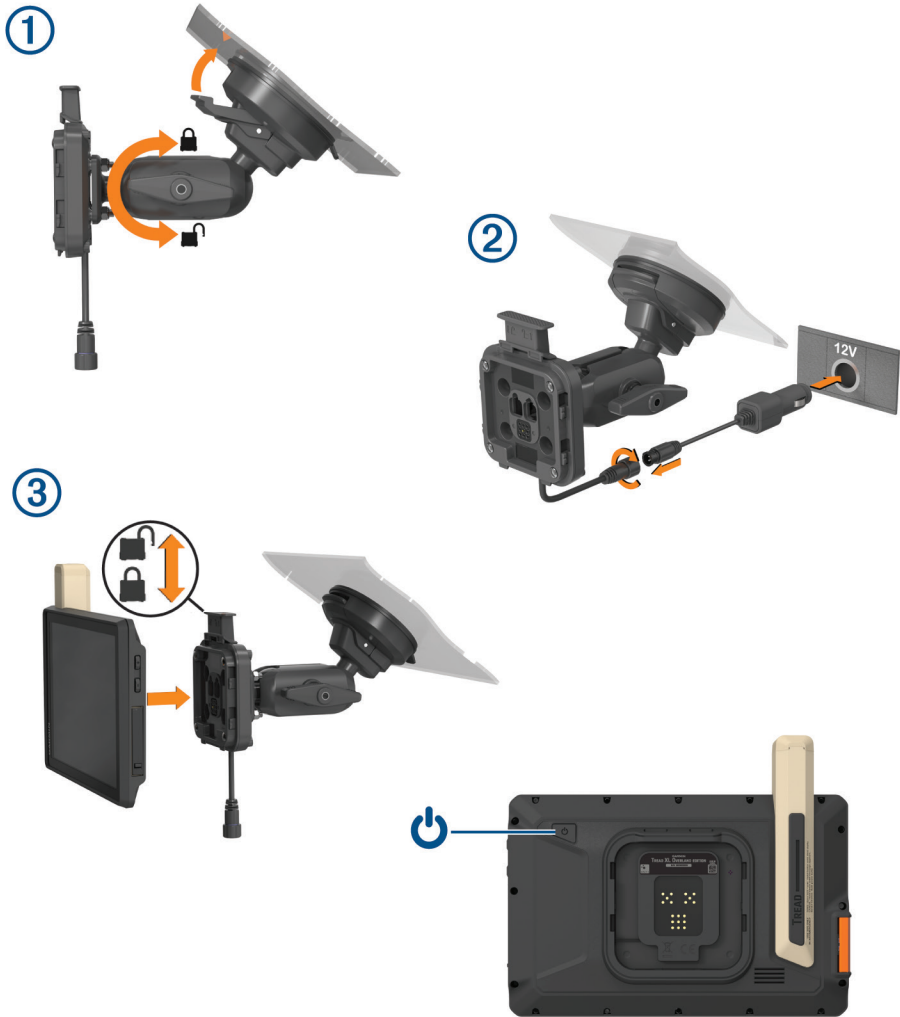


Manuales e información sobre las normativas vigentes • Manuels e informations réglementaires  
 Manuall e note legali • Handbücher und aufsichtsrechtliche Informationen





Set Up • Configuration • Configurazione • Einrichtung • Configurar • Configurar



Live Services • Services Live • Servizi Live • Live-Dienste • Servicios en directo • Serviços Live

① [garmin.com/treadapp](http://garmin.com/treadapp)



Manuals, Videos, and Regulatory Information  
 Manuels, vidéos et informations réglementaires  
 Manuali, video, note legali  
 Handbücher, Videos und aufsichtsrechtliche Informationen  
 Manuales, vídeos e información sobre las normativas vigentes  
 Manuais, vídeos e informações regulatórias



[garmin.com/manuals/treadoverland](http://garmin.com/manuals/treadoverland)

