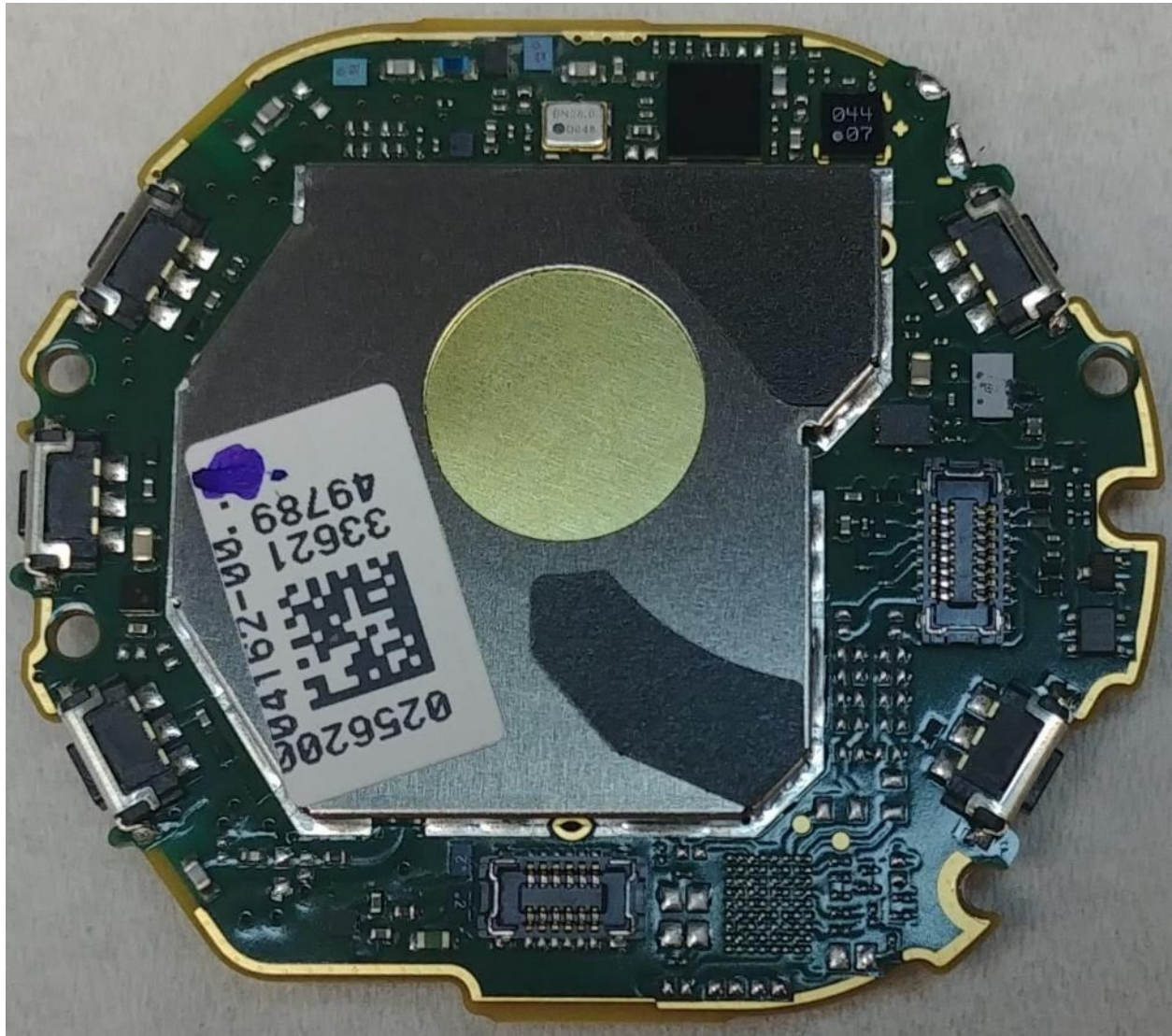


Internal photographs of equipment under test

Top with Shielding

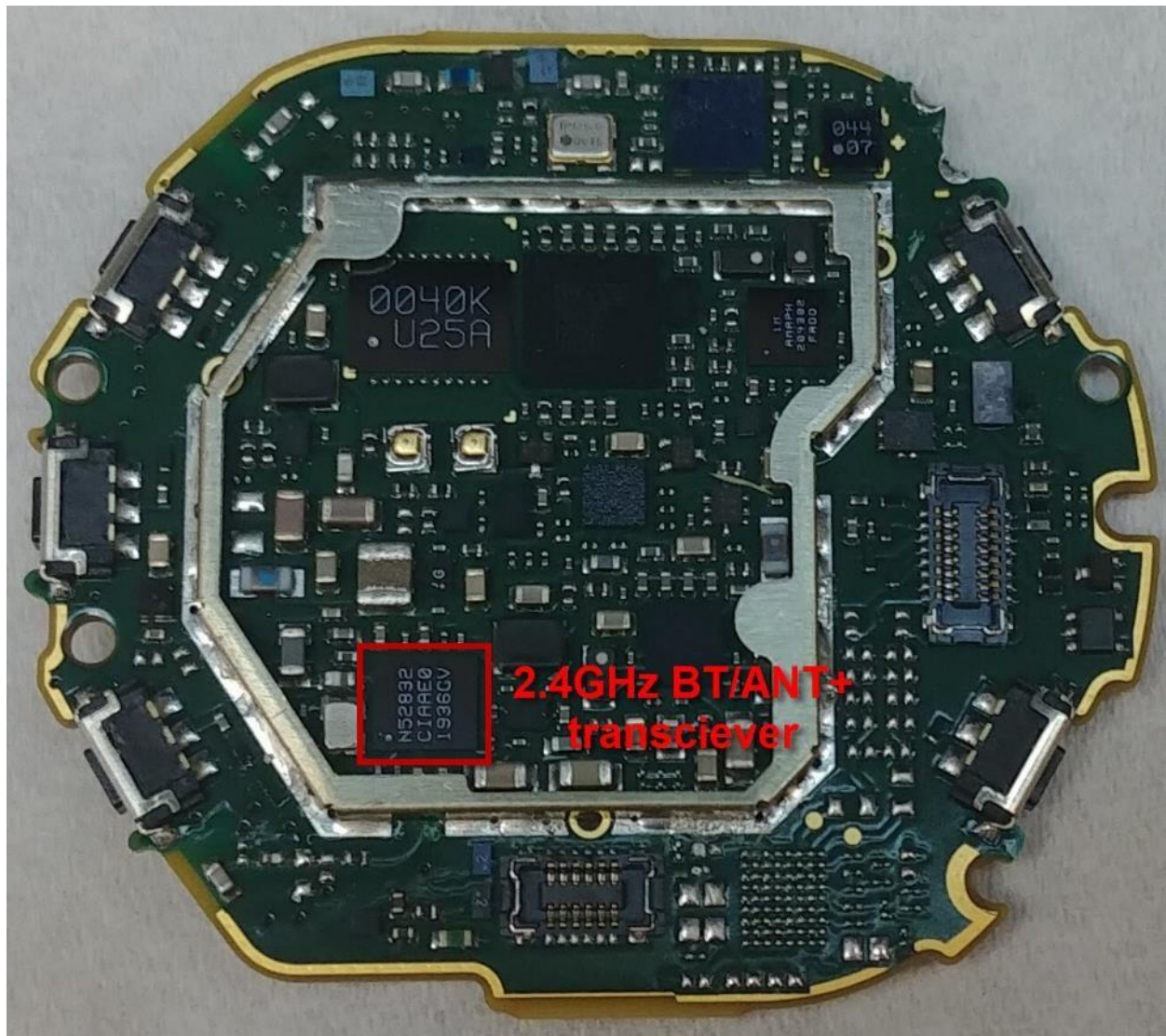


Rogers Labs, Inc.
4405 West 259th Terrace
Louisburg, KS 66053
Phone/Fax: (913) 837-3214
Revision 1

Garmin International, Inc.
Model: A04162
Test: 210120
Test to: CFR47 15C, RSS-210
File: A04162 Short Term Conf IntPho

SN's: 3356450954, 3356450941
FCC ID: IPH-04162
IC: 1792A-04162
Date: March 15, 2021
Page 1 of 5

Top without Shielding

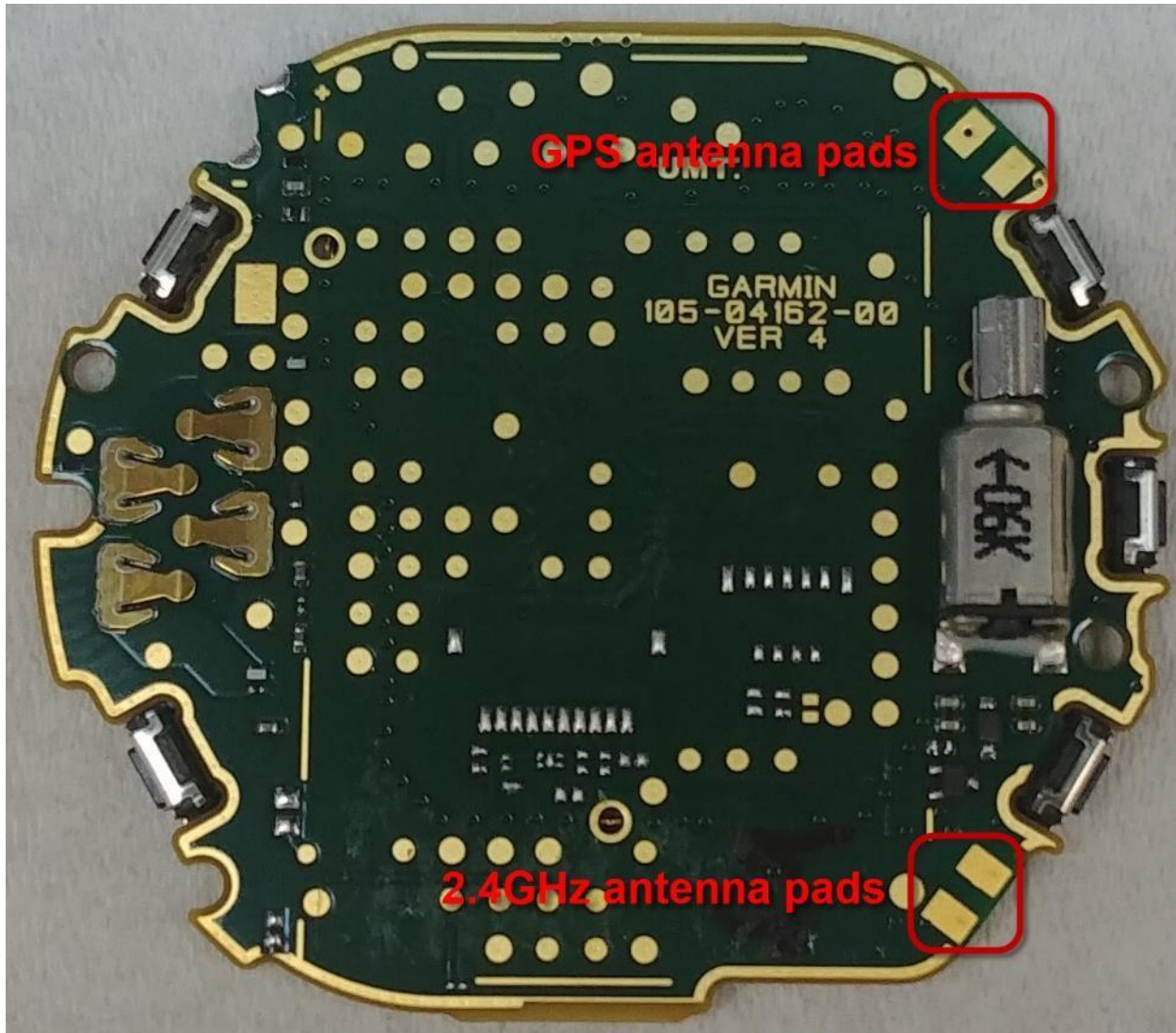


Rogers Labs, Inc.
4405 West 259th Terrace
Louisburg, KS 66053
Phone/Fax: (913) 837-3214
Revision 1

Garmin International, Inc.
Model: A04162
Test: 210120
Test to: CFR47 15C, RSS-210
File: A04162 Short Term Conf IntPho

SN's: 3356450954, 3356450941
FCC ID: IPH-04162
IC: 1792A-04162
Date: March 15, 2021
Page 2 of 5

Bottom side



Rogers Labs, Inc.
4405 West 259th Terrace
Louisburg, KS 66053
Phone/Fax: (913) 837-3214
Revision 1

Garmin International, Inc.
Model: A04162
Test: 210120
Test to: CFR47 15C, RSS-210
File: A04162 Short Term Conf IntPho

SN's: 3356450954, 3356450941
FCC ID: IPH-04162
IC: 1792A-04162
Date: March 15, 2021
Page 3 of 5

Battery in place

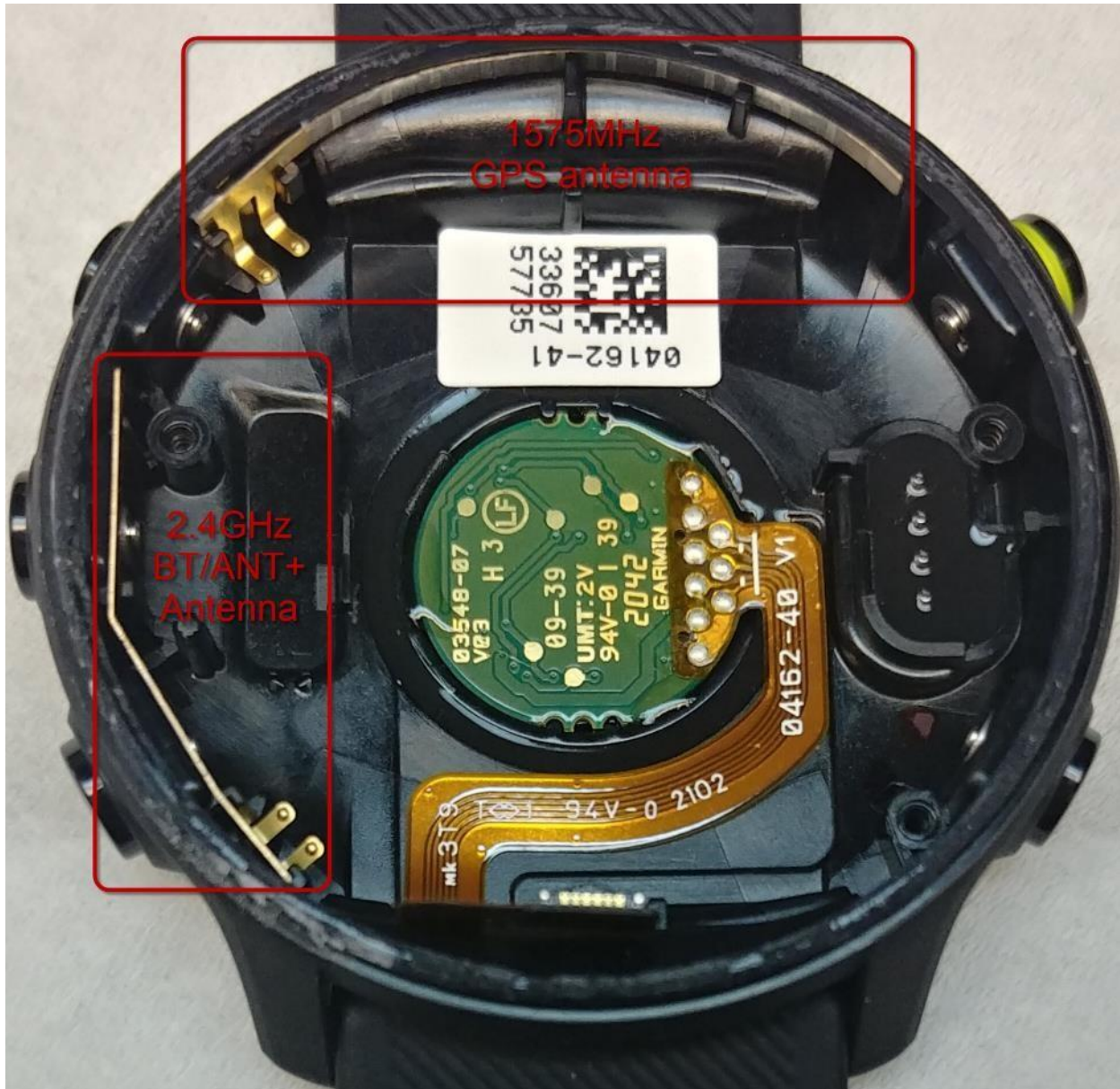


Rogers Labs, Inc.
4405 West 259th Terrace
Louisburg, KS 66053
Phone/Fax: (913) 837-3214
Revision 1

Garmin International, Inc.
Model: A04162
Test: 210120
Test to: CFR47 15C, RSS-210
File: A04162 Short Term Conf IntPho

SN's: 3356450954, 3356450941
FCC ID: IPH-04162
IC: 1792A-04162
Date: March 15, 2021
Page 4 of 5

Antenna Locations



Rogers Labs, Inc.
4405 West 259th Terrace
Louisburg, KS 66053
Phone/Fax: (913) 837-3214
Revision 1

Garmin International, Inc.
Model: A04162
Test: 210120
Test to: CFR47 15C, RSS-210
File: A04162 Short Term Conf IntPho

SN's: 3356450954, 3356450941
FCC ID: IPH-04162
IC: 1792A-04162
Date: March 15, 2021
Page 5 of 5