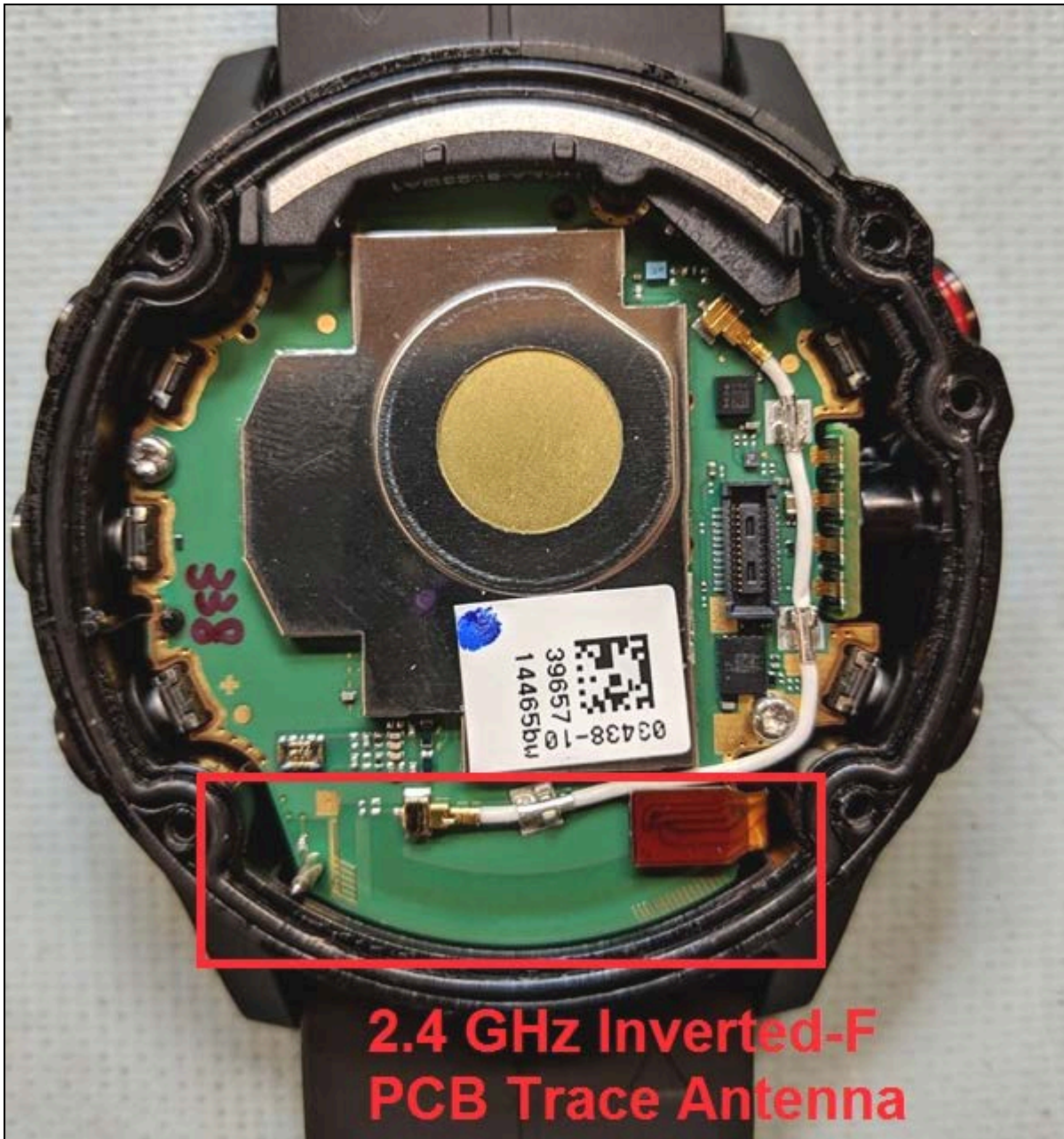


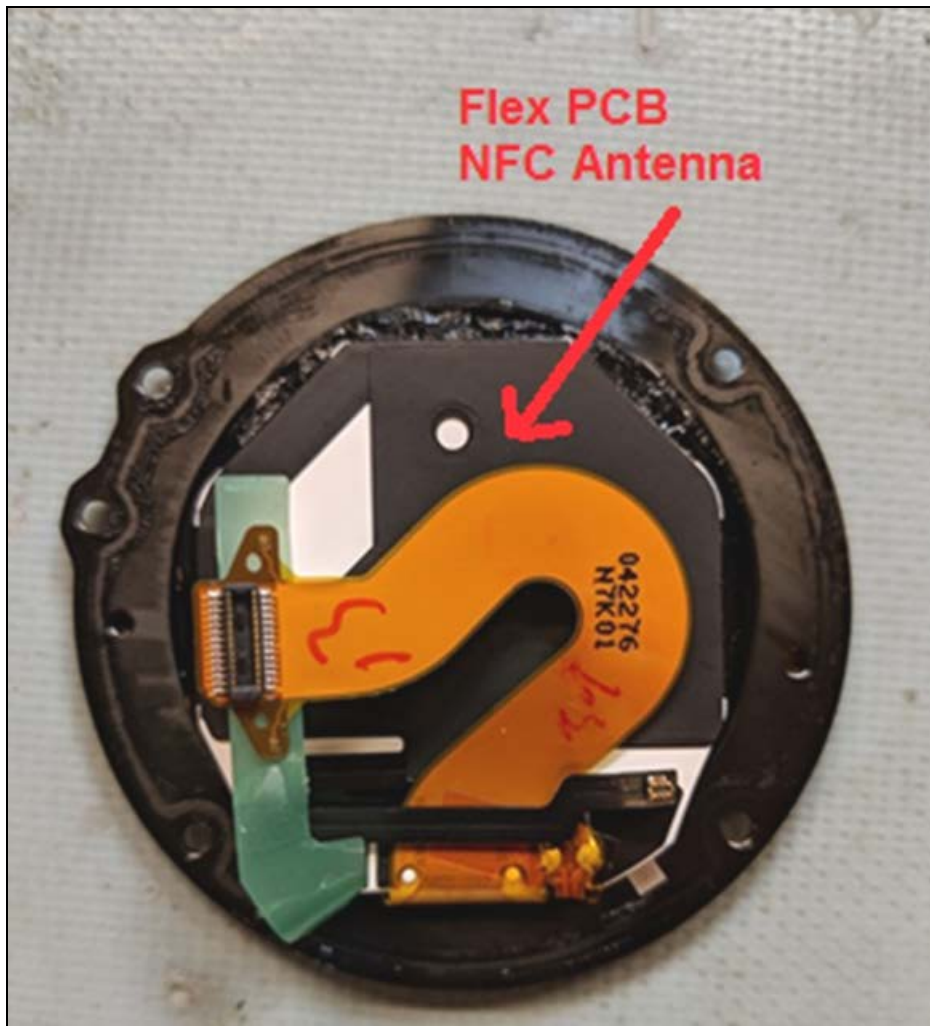
A03438 Internal Photographs



**2.4 GHz Inverted-F
PCB Trace Antenna**

Antenna Location and Board in Chassis

A03438 Internal Photographs



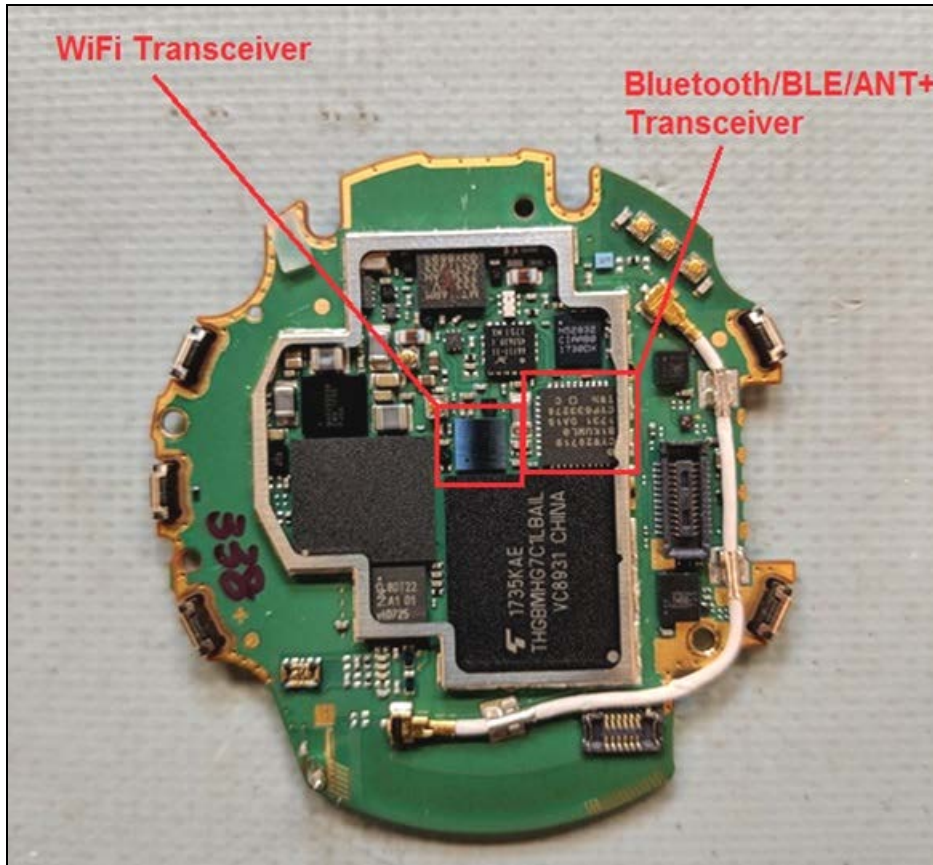
Display Assembly with NFC Antenna

A03438 Internal Photographs



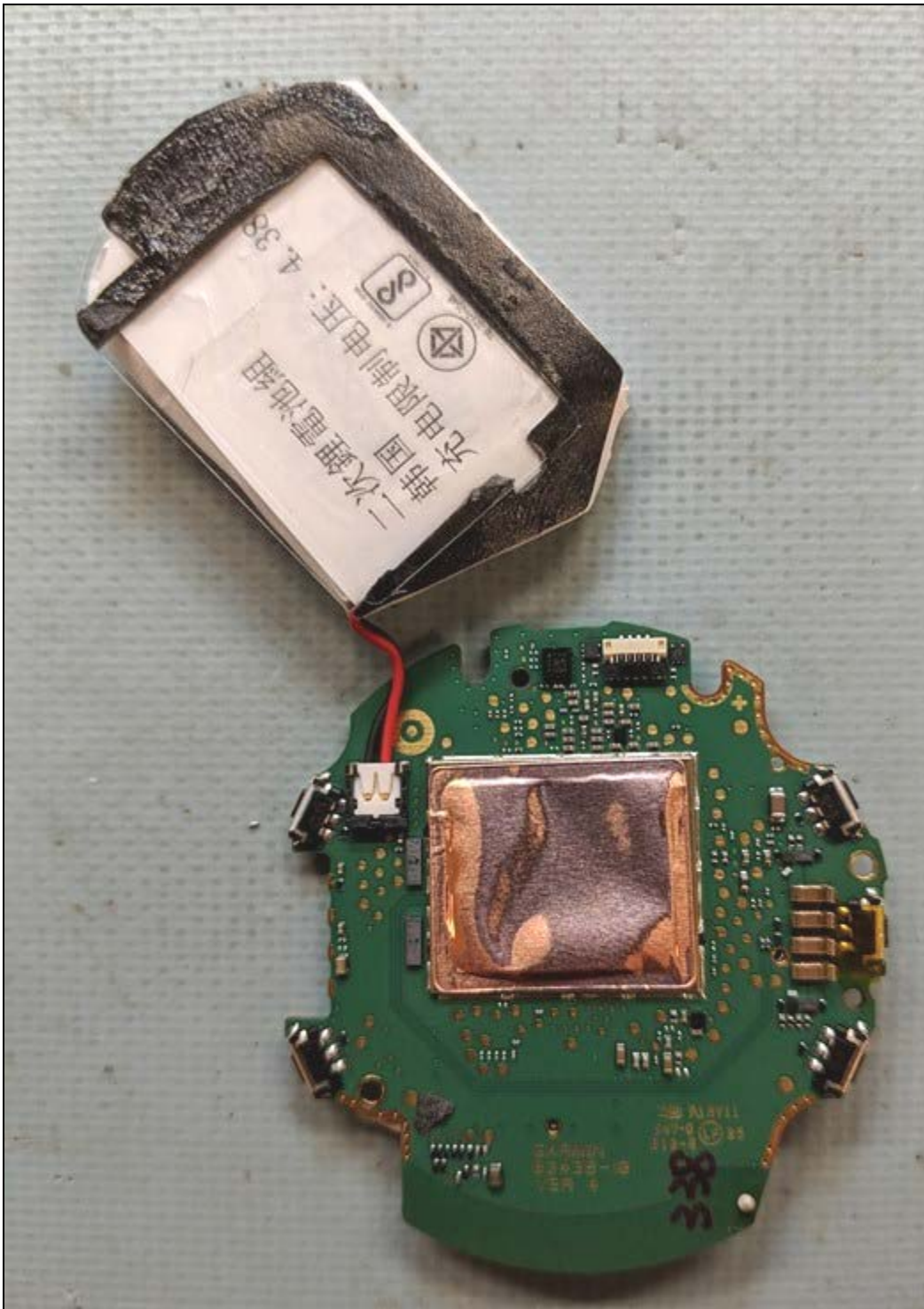
Main Board with Shield – Top View

A03438 Internal Photographs



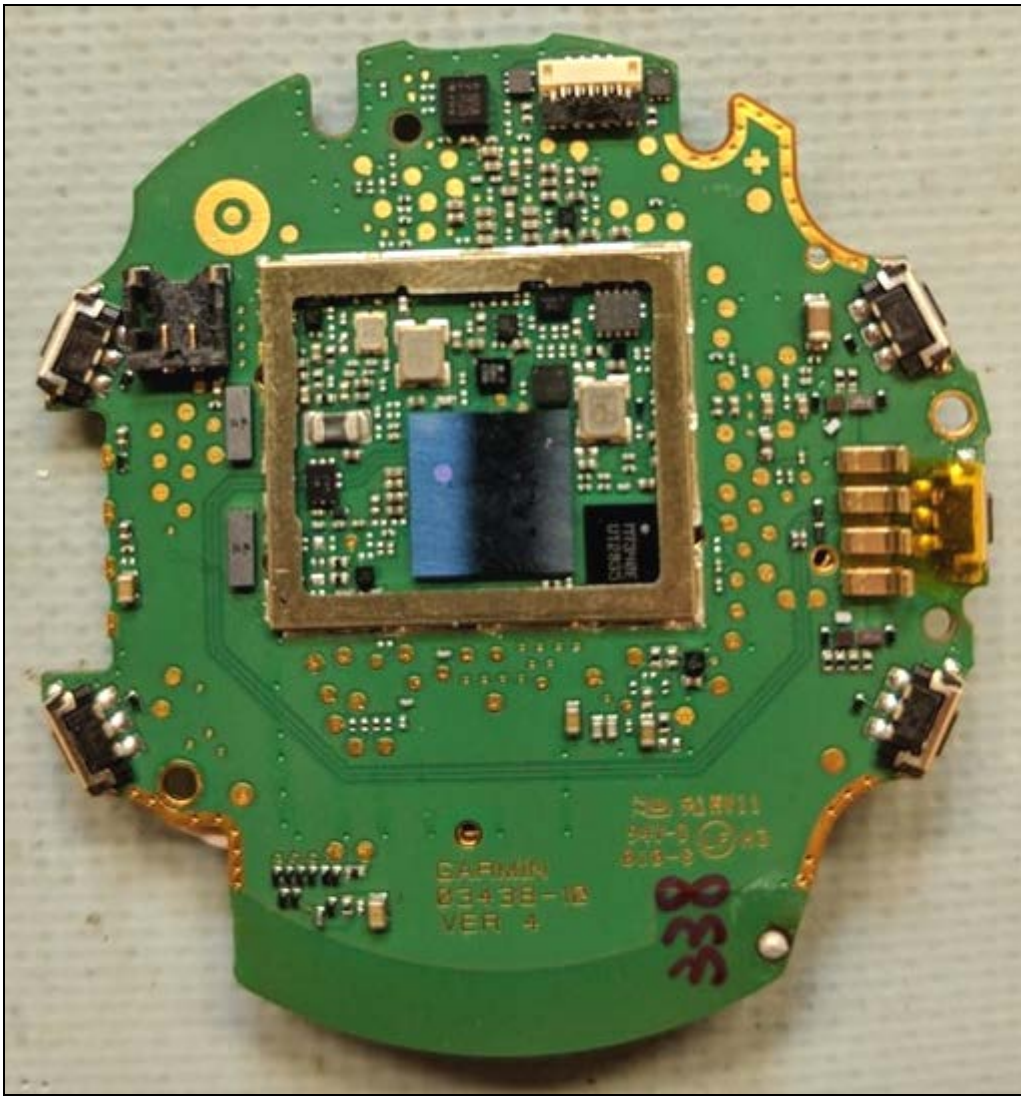
Main Board without Shield – Top View

A03438 Internal Photographs



Main Board with Shield – Bottom View

A03438 Internal Photographs



Main Board without Shield – Bottom View