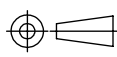


REVISIONS			
REV	DESCRIPTION	DATE	ECO
NR	FOR REFERENCE. DWG DOES NOT DRIVE PART.	01/25/17	NR

CONFIDENTIAL
This drawing and the specifications contained herein are the property of Garmin Ltd. or its subsidiaries and may not be reproduced or used in whole or in part as the basis for manufacture or sale of products without written permission.

DRAWN: JLA DATE: _____

TOLERANCE UNLESS OTHERWISE NOTED
 mm
 .X±0.3
 .XX±0.13
 Ø<25±0.08
 ANGLES± 1.0°



THIRD ANGLE

GARMIN. Garmin Ltd. or its subsidiaries
 c/o Garmin International, Inc.
 1200 E. 151st Street
 Olathe, Kansas 66062 USA

TITLE: PMP, REAR CASE, VARIA UT

SOURCE FILES (VERSION NUMBERS ARE AUTOMATICALLY GENERATED):

DWG. NO.		REV.	
145-02494-00		NR	
SIZE	SCALE	SHT	OF
A	3:2	1	1