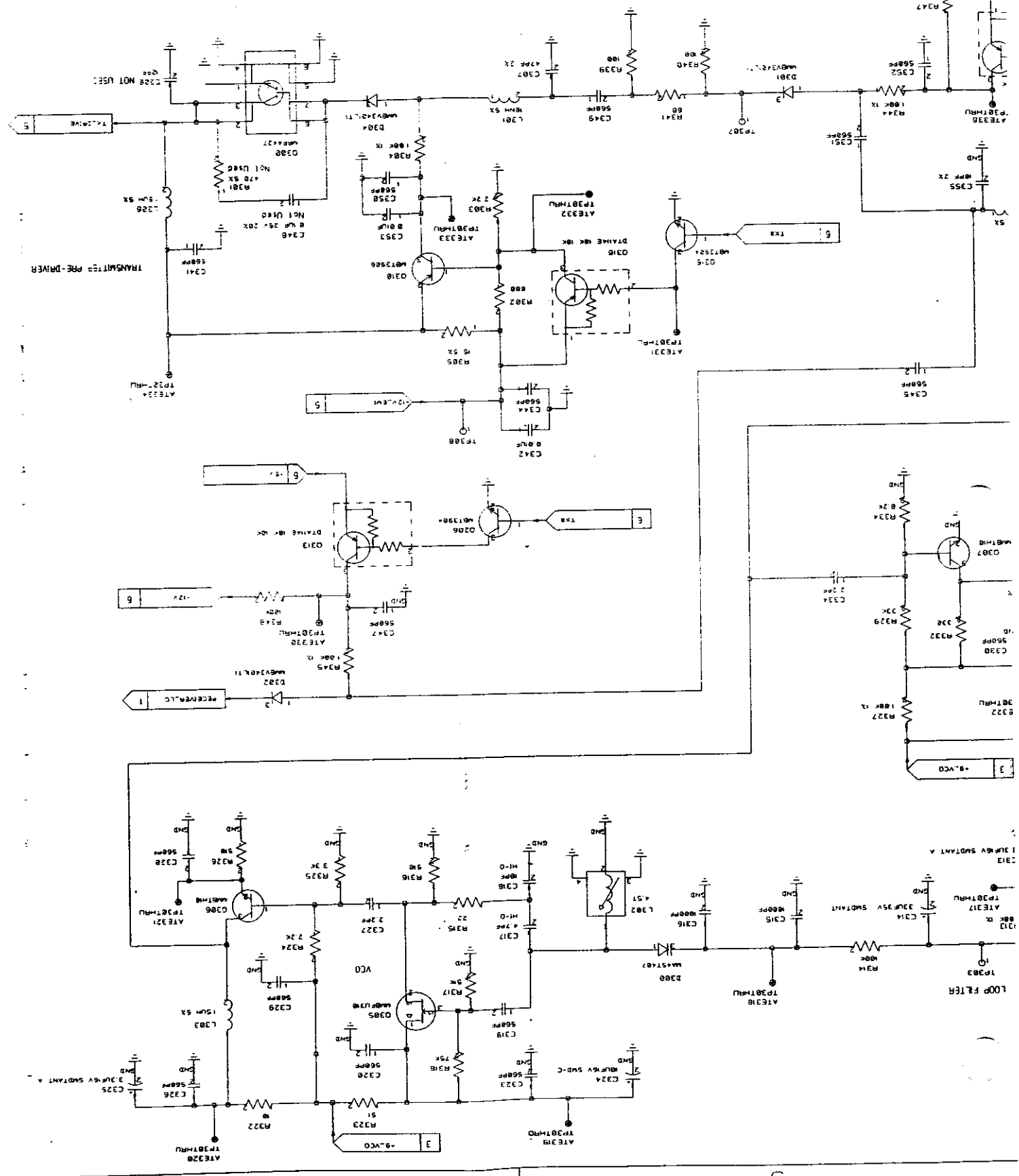


Garmin International, Inc.



A

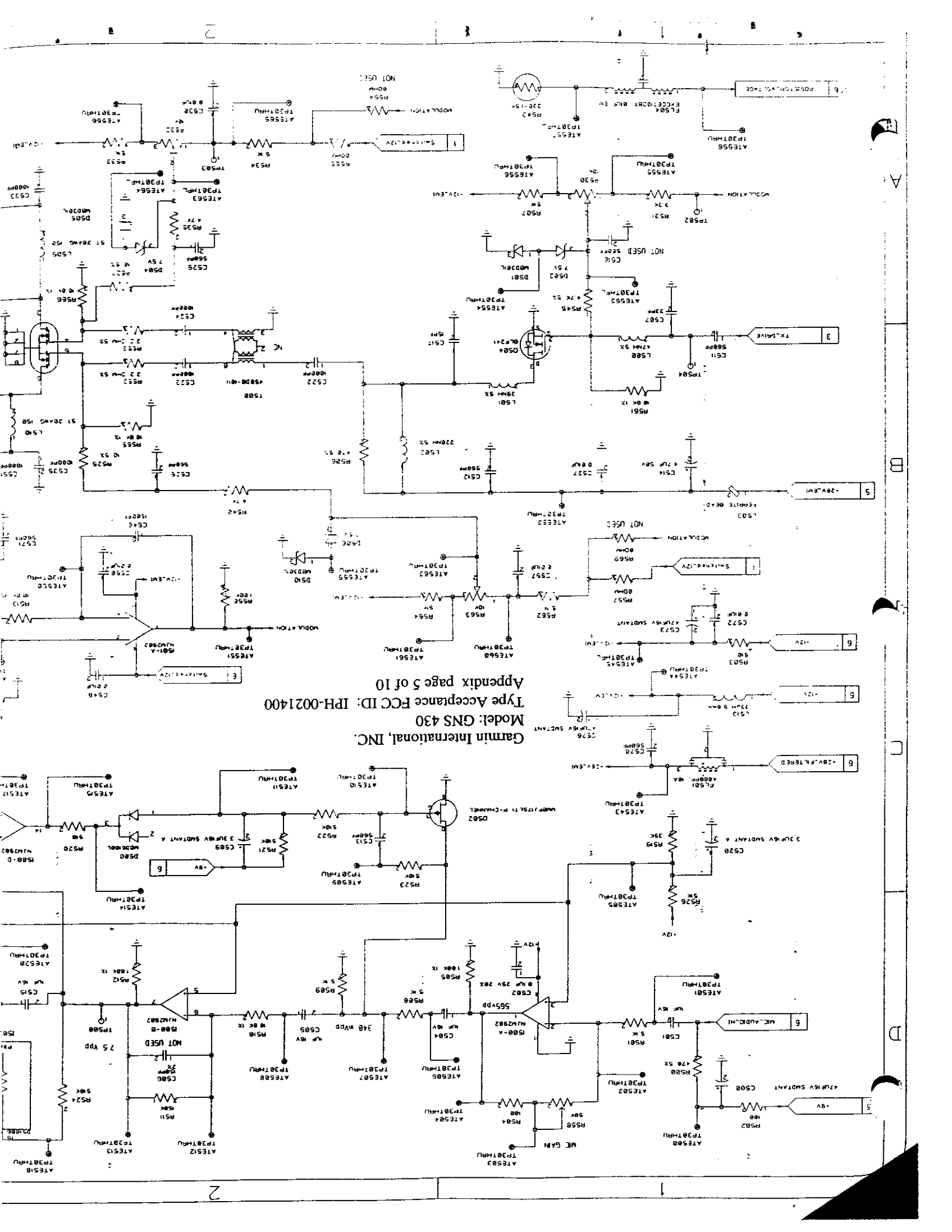
B

C

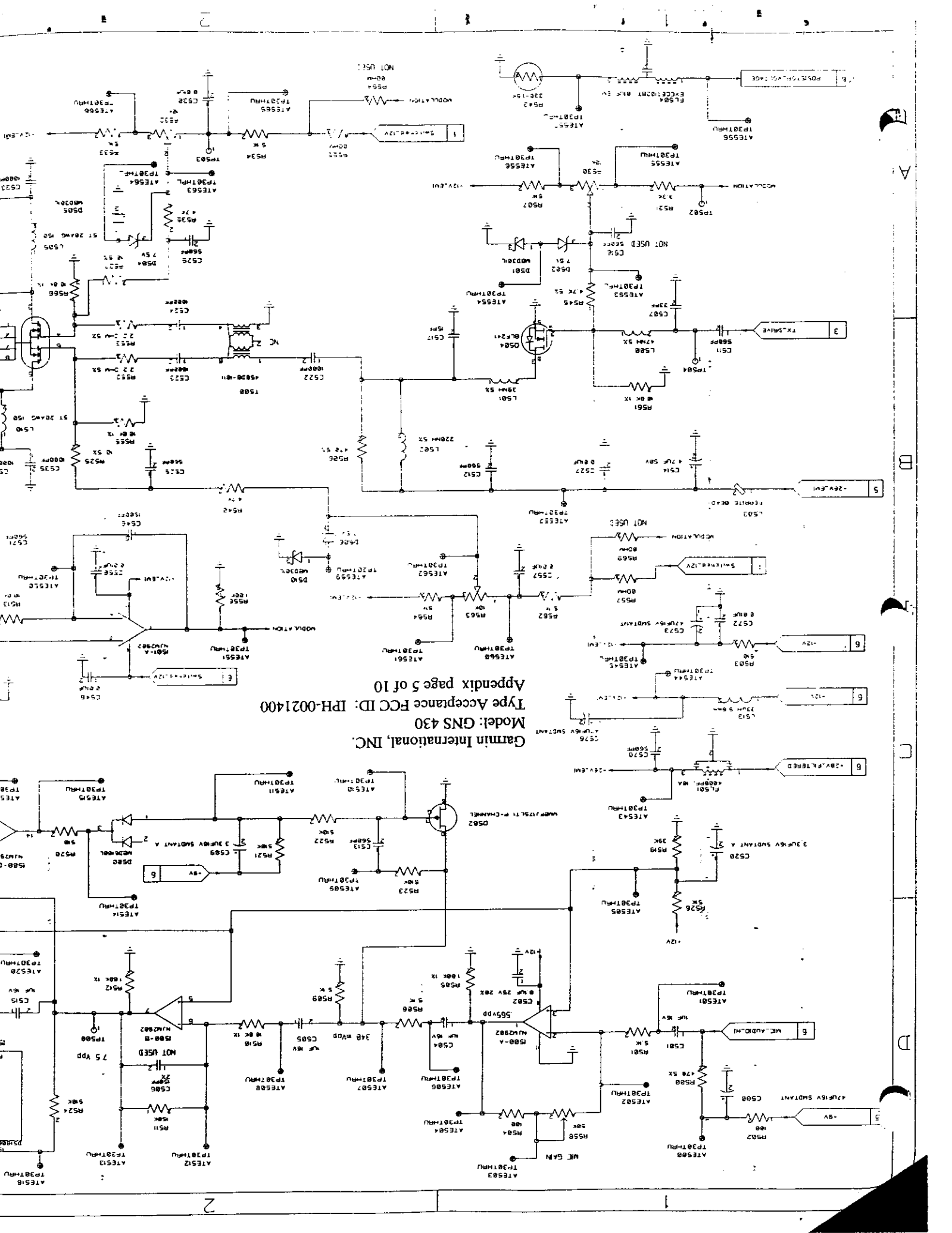
D

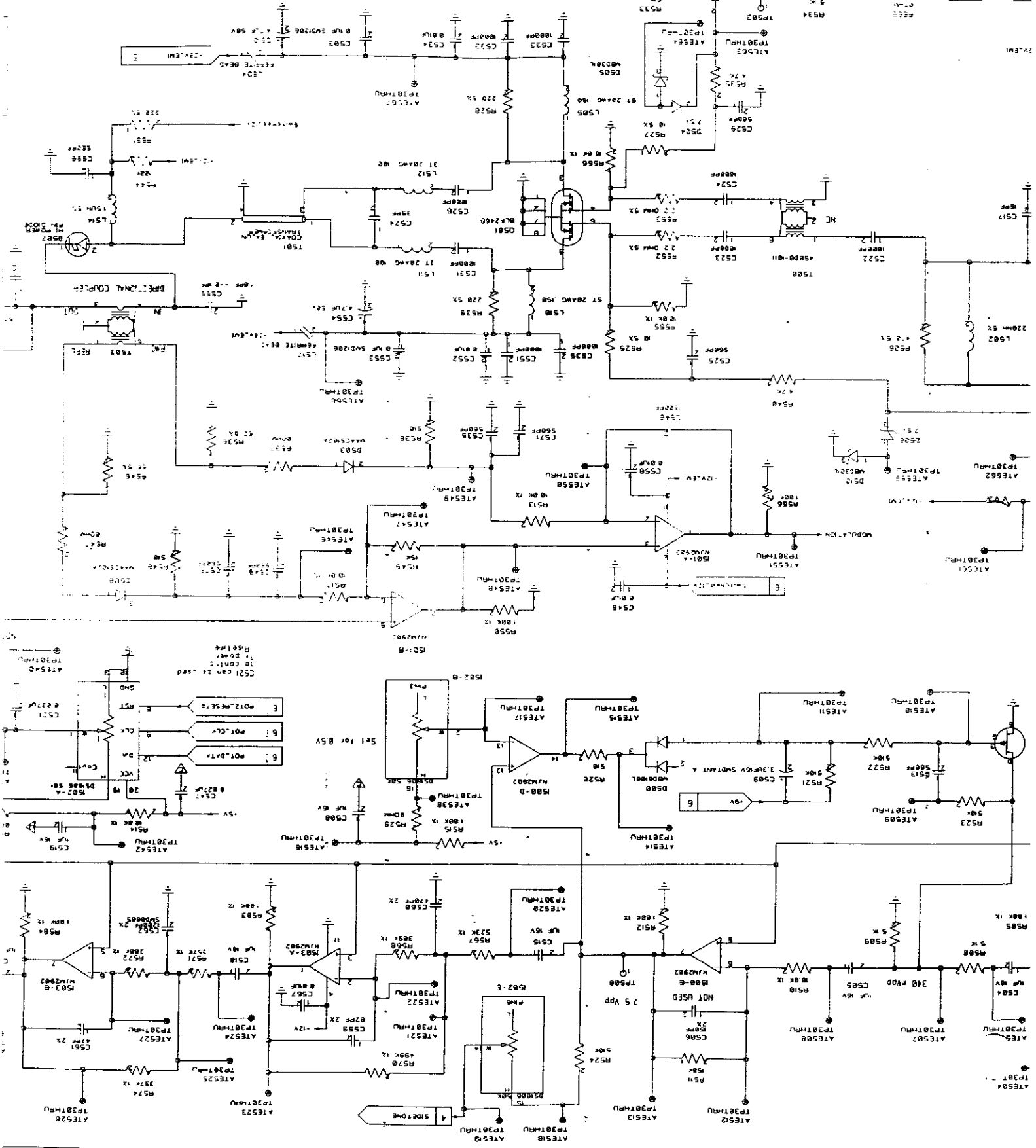
4

3



Garnin International, Inc.  
 Model: GNS 430  
 Type Acceptance FCC ID: IPH-0021400  
 Appendix page 5 of 10





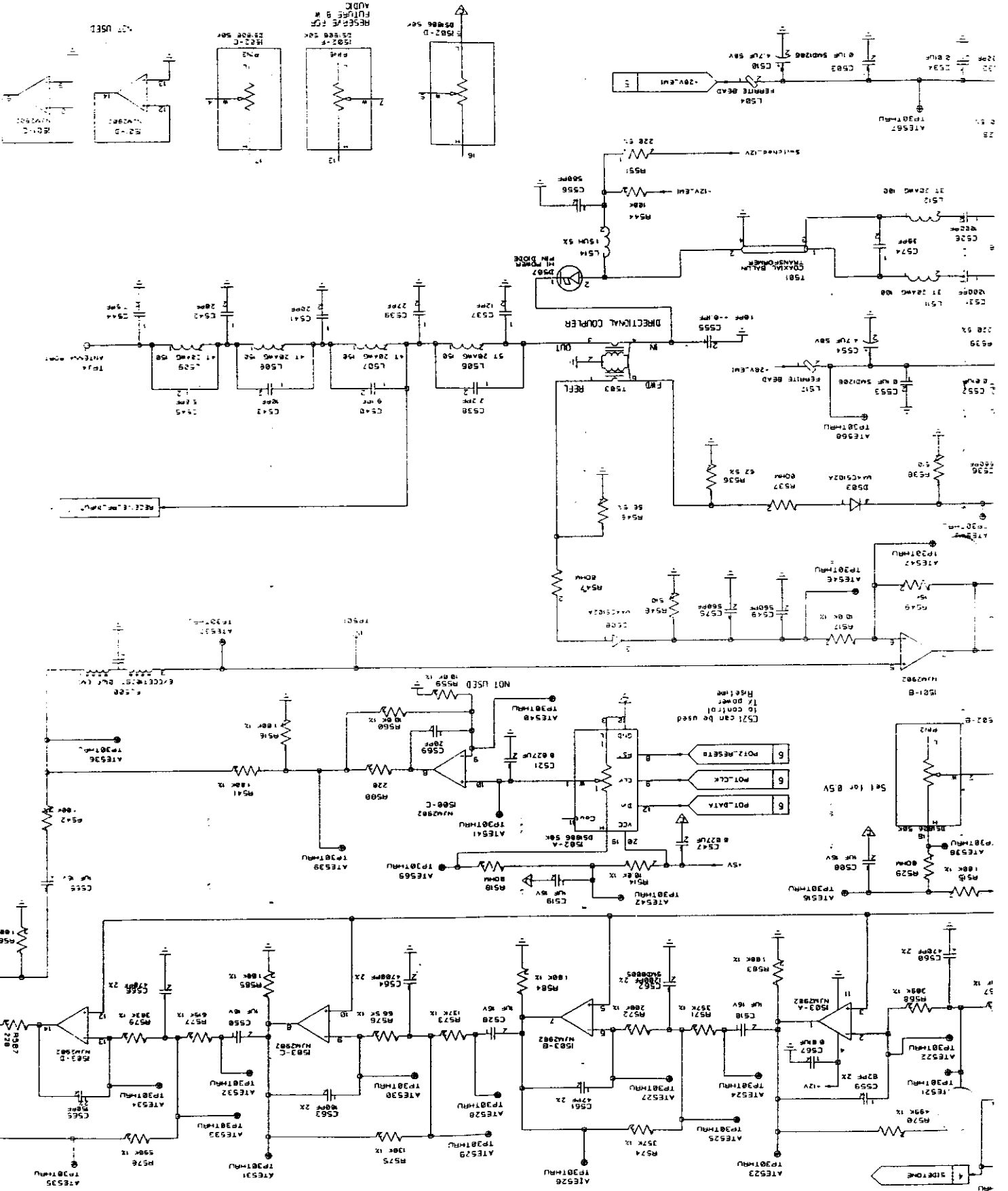
CONFIDENTIAL

THIS DRAWING AND THESE OPERATIONS CONTAINED HEREIN ARE THE PROPERTY OF GARMIN CORPORATION AND MAY NOT BE REPRODUCED OR TRANSMITTED IN ANY FORM OR BY ANY MEANS WITHOUT THE WRITTEN PERMISSION OF GARMIN CORPORATION.

DATE: 10/18/03  
 SIZE: 11x17  
 DWG NO.: 00000000

MODEL: 02898 TELETYPE

NOT USED



RESERVE FOR  
 FUTURE B.M.  
 05000 50K

RESERVE FOR  
 FUTURE B.M.  
 05000 50K

RESERVE FOR  
 FUTURE B.M.  
 05000 50K

RESERVE FOR  
 FUTURE B.M.  
 05000 50K

RESERVE FOR  
 FUTURE B.M.  
 05000 50K

RESERVE FOR  
 FUTURE B.M.  
 05000 50K

RESERVE FOR  
 FUTURE B.M.  
 05000 50K

RESERVE FOR  
 FUTURE B.M.  
 05000 50K

RESERVE FOR  
 FUTURE B.M.  
 05000 50K

RESERVE FOR  
 FUTURE B.M.  
 05000 50K

RESERVE FOR  
 FUTURE B.M.  
 05000 50K

RESERVE FOR  
 FUTURE B.M.  
 05000 50K

RESERVE FOR  
 FUTURE B.M.  
 05000 50K

RESERVE FOR  
 FUTURE B.M.  
 05000 50K

RESERVE FOR  
 FUTURE B.M.  
 05000 50K

RESERVE FOR  
 FUTURE B.M.  
 05000 50K

RESERVE FOR  
 FUTURE B.M.  
 05000 50K

RESERVE FOR  
 FUTURE B.M.  
 05000 50K

RESERVE FOR  
 FUTURE B.M.  
 05000 50K

RESERVE FOR  
 FUTURE B.M.  
 05000 50K

RESERVE FOR  
 FUTURE B.M.  
 05000 50K

RESERVE FOR  
 FUTURE B.M.  
 05000 50K

RESERVE FOR  
 FUTURE B.M.  
 05000 50K

RESERVE FOR  
 FUTURE B.M.  
 05000 50K

RESERVE FOR  
 FUTURE B.M.  
 05000 50K

RESERVE FOR  
 FUTURE B.M.  
 05000 50K

RESERVE FOR  
 FUTURE B.M.  
 05000 50K

RESERVE FOR  
 FUTURE B.M.  
 05000 50K

RESERVE FOR  
 FUTURE B.M.  
 05000 50K

RESERVE FOR  
 FUTURE B.M.  
 05000 50K

RESERVE FOR  
 FUTURE B.M.  
 05000 50K

RESERVE FOR  
 FUTURE B.M.  
 05000 50K

RESERVE FOR  
 FUTURE B.M.  
 05000 50K

RESERVE FOR  
 FUTURE B.M.  
 05000 50K

RESERVE FOR  
 FUTURE B.M.  
 05000 50K

RESERVE FOR  
 FUTURE B.M.  
 05000 50K

RESERVE FOR  
 FUTURE B.M.  
 05000 50K

RESERVE FOR  
 FUTURE B.M.  
 05000 50K

RESERVE FOR  
 FUTURE B.M.  
 05000 50K

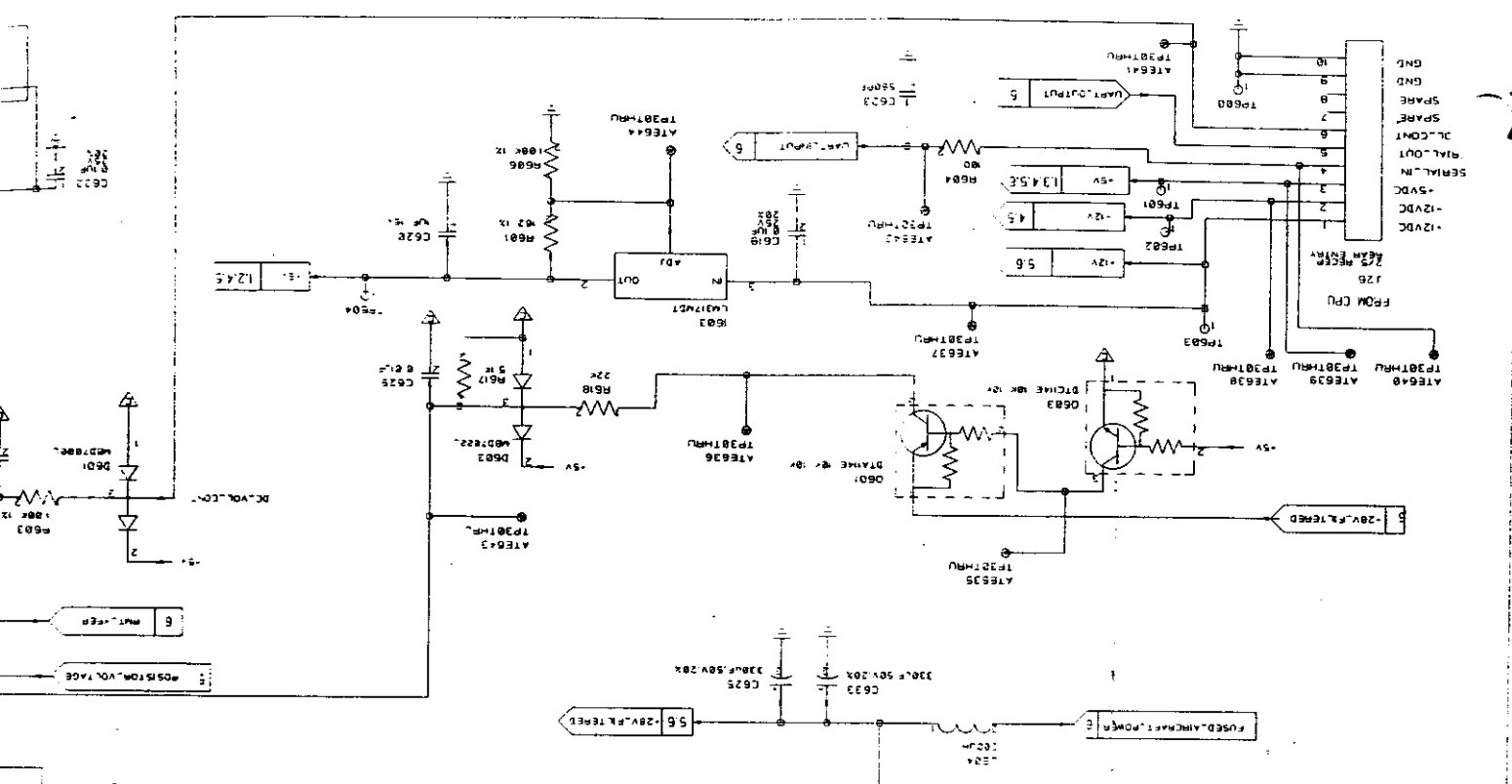
RESERVE FOR  
 FUTURE B.M.  
 05000 50K

RESERVE FOR  
 FUTURE B.M.  
 05000 50K

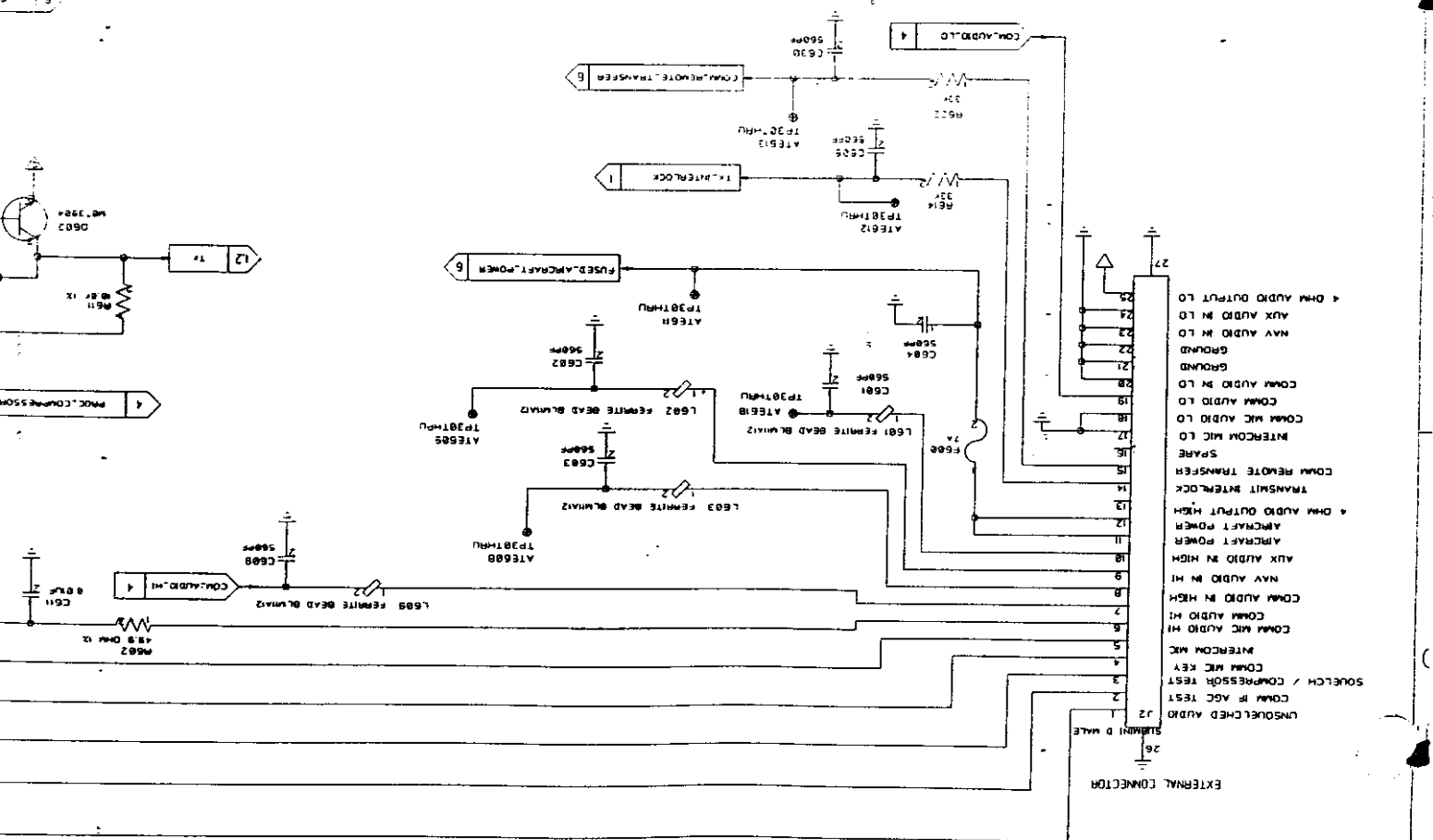
RESERVE FOR  
 FUTURE B.M.  
 05000 50K

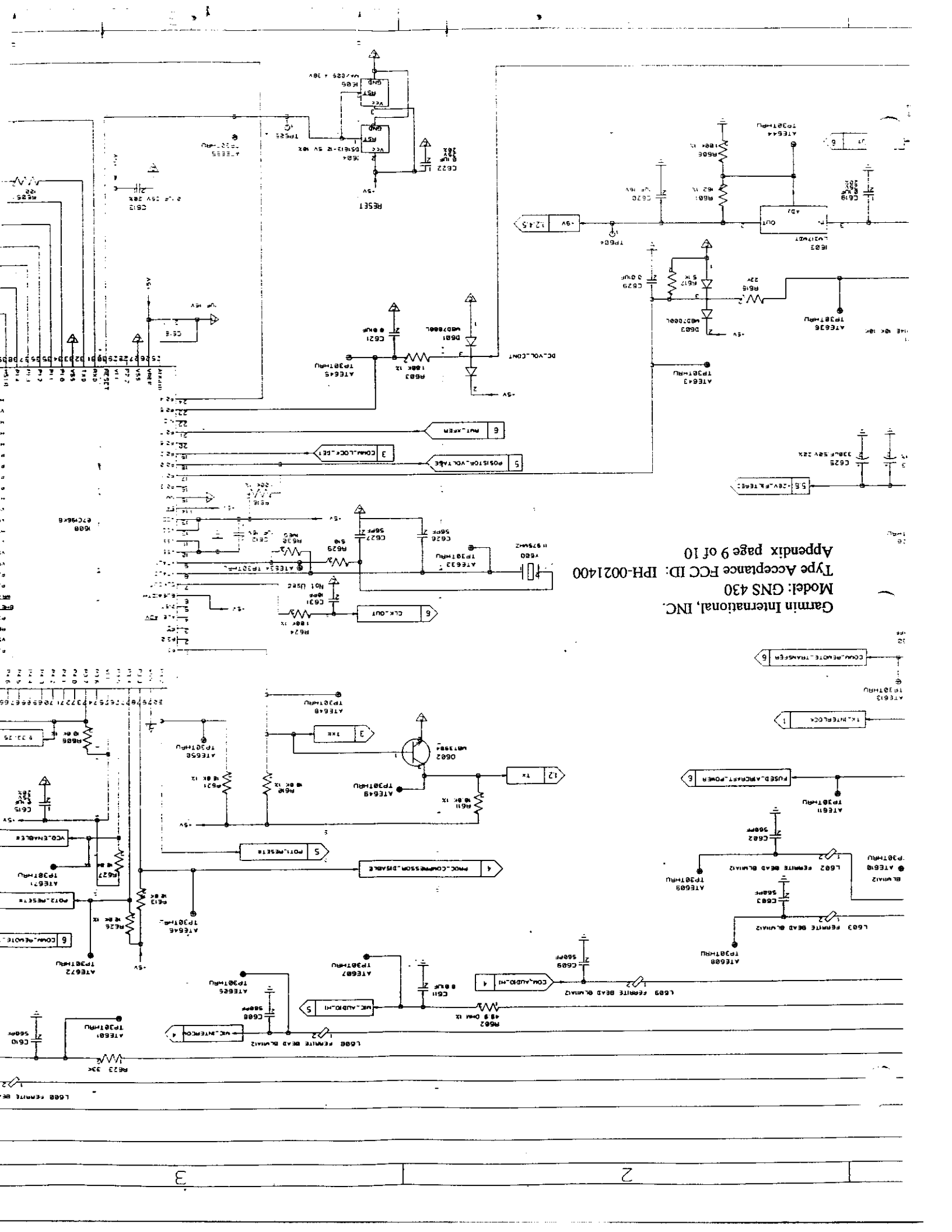
RESERVE FOR  
 FUTURE B.M.  
 05000 50K

RESERVE FOR  
 FUTURE B.M.  
 05000 50K



Garmin International, Inc.  
 Model: GNS 430  
 Type Acceptance FCC ID: IPII-0021400  
 Appendix page 8 of 10





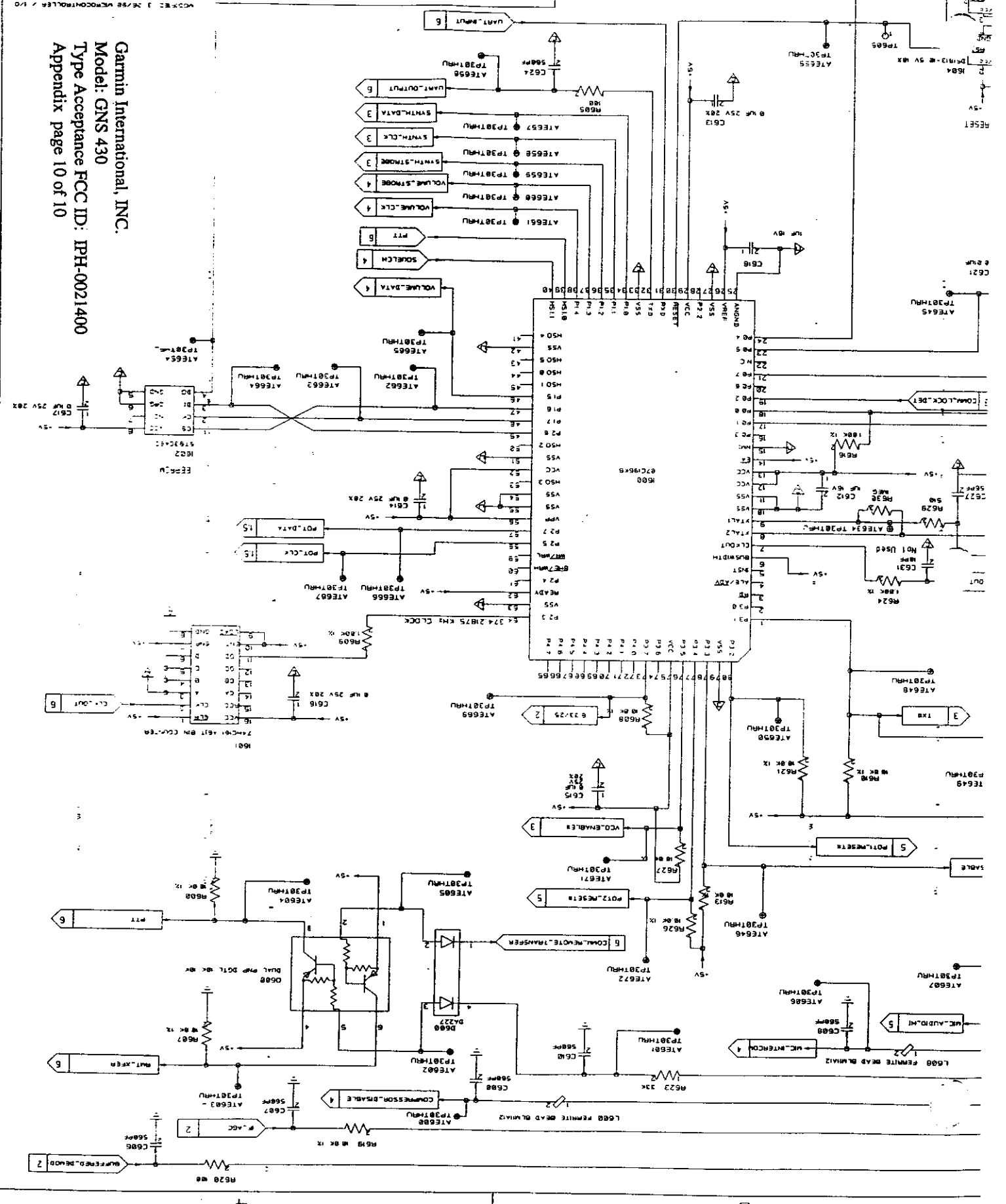
Garmin International, Inc.  
 Model: GNS 430  
 Type Acceptance FCC ID: IPH-0021400  
 Appendix page 9 of 10

3

2



CONFIDENTIAL  
 THIS DRAWING AND THESE SPECIFICATIONS CONTAINED HEREIN ARE THE  
 PROPERTY OF GARMIN CORPORATION AND MAY NOT BE REPRODUCED OR  
 USED IN WHOLE OR IN PART AS THE BASIS FOR MANUFACTURE OR SALE  
 OF PRODUCTS WITHOUT WRITTEN PERMISSION OF GARMIN CORPORATION.  
 DATE: 04-18-85  
 GARMIN CORP.  
 MODEL: GNS 430  
 TYPE: ACCEPTANCE FCC ID: IPH-0021400



Garmin International, INC.  
 Model: GNS 430  
 Type Acceptance FCC ID: IPH-0021400  
 Appendix page 10 of 10