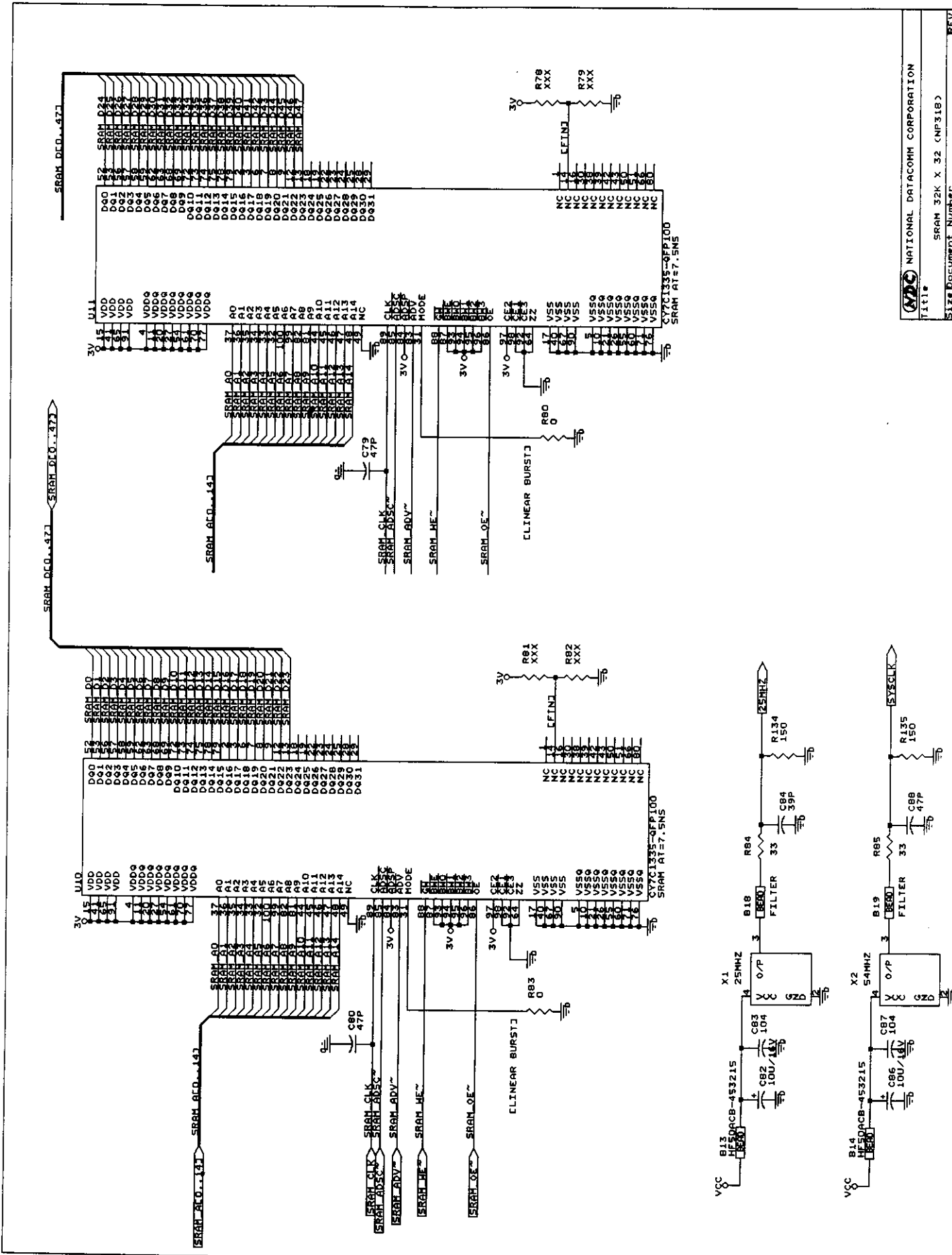
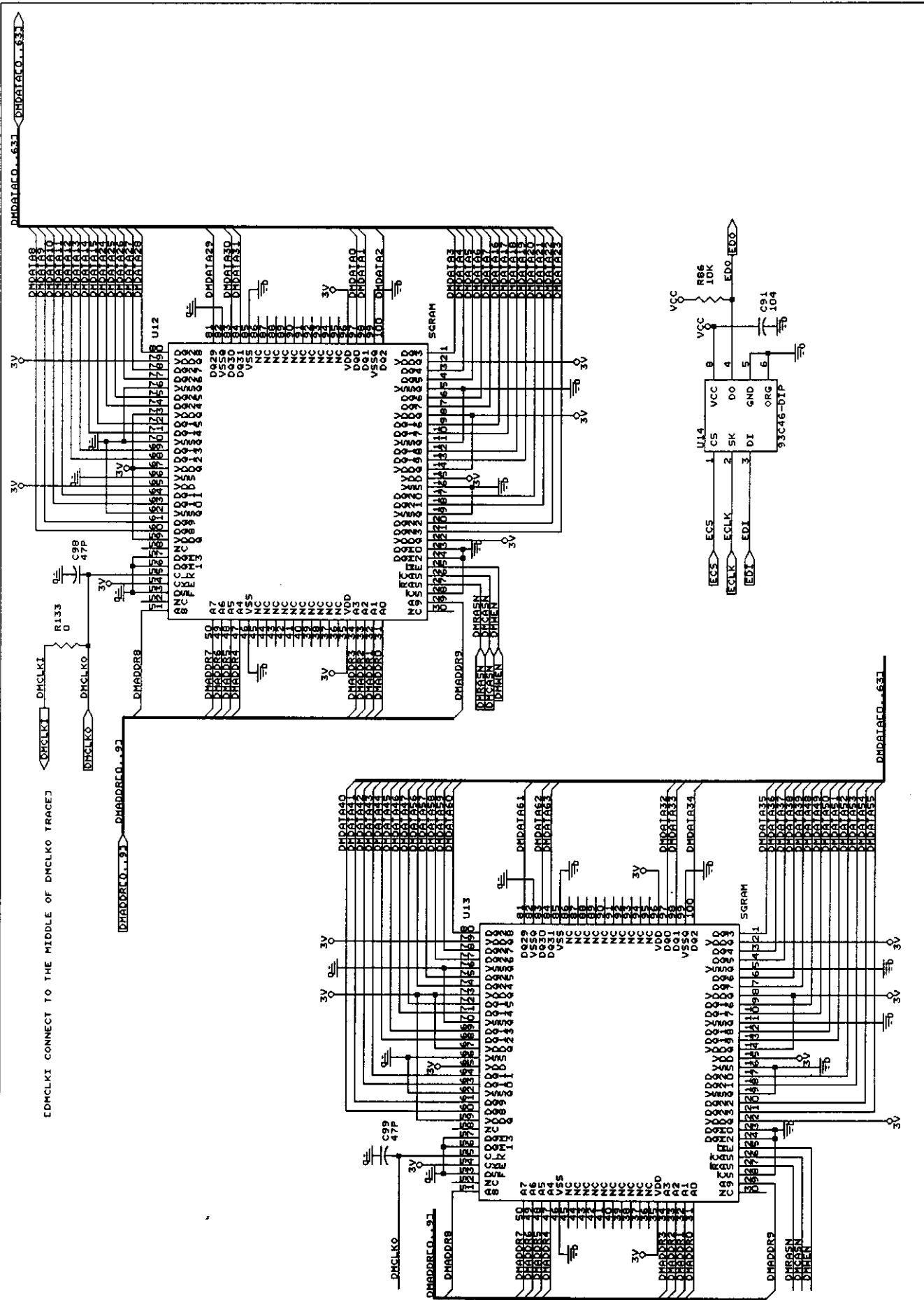


- L0022 POWER SUPPLY**
- INTRN
 - ADLO..73
 - SCANOUT0
 - SCANOUT1
- L0032 ASIC**
- MODESEL0
 - MODESEL1
 - MODESEL2
 - SCANEN0
 - SCANEN1
 - SCANEN2
 - SCANEN3
 - SCANEN4
 - SCANEN5
 - SCANEN6
 - SCANEN7
 - SCANEN8
 - SCANEN9
 - SCANEN10
 - SCANEN11
 - SCANEN12
 - SCANEN13
 - SCANEN14
 - SCANEN15
 - SCANEN16
 - SCANEN17
 - SCANEN18
 - SCANEN19
 - SCANEN20
 - SCANEN21
 - SCANEN22
 - SCANEN23
 - SCANEN24
 - SCANEN25
 - SCANEN26
 - SCANEN27
 - SCANEN28
 - SCANEN29
 - SCANEN30
 - SCANEN31
 - SCANEN32
 - SCANEN33
 - SCANEN34
 - SCANEN35
 - SCANEN36
 - SCANEN37
 - SCANEN38
 - SCANEN39
 - SCANEN40
 - SCANEN41
 - SCANEN42
 - SCANEN43
 - SCANEN44
 - SCANEN45
 - SCANEN46
 - SCANEN47
 - SCANEN48
 - SCANEN49
 - SCANEN50
 - SCANEN51
 - SCANEN52
 - SCANEN53
 - SCANEN54
 - SCANEN55
 - SCANEN56
 - SCANEN57
 - SCANEN58
 - SCANEN59
 - SCANEN60
 - SCANEN61
 - SCANEN62
 - SCANEN63
 - SCANEN64
 - SCANEN65
 - SCANEN66
 - SCANEN67
 - SCANEN68
 - SCANEN69
 - SCANEN70
 - SCANEN71
 - SCANEN72
 - SCANEN73
 - SCANEN74
 - SCANEN75
 - SCANEN76
 - SCANEN77
 - SCANEN78
 - SCANEN79
 - SCANEN80
 - SCANEN81
 - SCANEN82
 - SCANEN83
 - SCANEN84
 - SCANEN85
 - SCANEN86
 - SCANEN87
 - SCANEN88
 - SCANEN89
 - SCANEN90
 - SCANEN91
 - SCANEN92
 - SCANEN93
 - SCANEN94
 - SCANEN95
 - SCANEN96
 - SCANEN97
 - SCANEN98
 - SCANEN99
 - SCANEN100
 - SCANEN101
 - SCANEN102
 - SCANEN103
 - SCANEN104
 - SCANEN105
 - SCANEN106
 - SCANEN107
 - SCANEN108
 - SCANEN109
 - SCANEN110
 - SCANEN111
 - SCANEN112
 - SCANEN113
 - SCANEN114
 - SCANEN115
 - SCANEN116
 - SCANEN117
 - SCANEN118
 - SCANEN119
 - SCANEN120
 - SCANEN121
 - SCANEN122
 - SCANEN123
 - SCANEN124
 - SCANEN125
 - SCANEN126
 - SCANEN127
 - SCANEN128
 - SCANEN129
 - SCANEN130
 - SCANEN131
 - SCANEN132
 - SCANEN133
 - SCANEN134
 - SCANEN135
 - SCANEN136
 - SCANEN137
 - SCANEN138
 - SCANEN139
 - SCANEN140
 - SCANEN141
 - SCANEN142
 - SCANEN143
 - SCANEN144
 - SCANEN145
 - SCANEN146
 - SCANEN147
 - SCANEN148
 - SCANEN149
 - SCANEN150
 - SCANEN151
 - SCANEN152
 - SCANEN153
 - SCANEN154
 - SCANEN155
 - SCANEN156
 - SCANEN157
 - SCANEN158
 - SCANEN159
 - SCANEN160
 - SCANEN161
 - SCANEN162
 - SCANEN163
 - SCANEN164
 - SCANEN165
 - SCANEN166
 - SCANEN167
 - SCANEN168
 - SCANEN169
 - SCANEN170
 - SCANEN171
 - SCANEN172
 - SCANEN173
 - SCANEN174
 - SCANEN175
 - SCANEN176
 - SCANEN177
 - SCANEN178
 - SCANEN179
 - SCANEN180
 - SCANEN181
 - SCANEN182
 - SCANEN183
 - SCANEN184
 - SCANEN185
 - SCANEN186
 - SCANEN187
 - SCANEN188
 - SCANEN189
 - SCANEN190
 - SCANEN191
 - SCANEN192
 - SCANEN193
 - SCANEN194
 - SCANEN195
 - SCANEN196
 - SCANEN197
 - SCANEN198
 - SCANEN199
 - SCANEN200
 - SCANEN201
 - SCANEN202
 - SCANEN203
 - SCANEN204
 - SCANEN205
 - SCANEN206
 - SCANEN207
 - SCANEN208
 - SCANEN209
 - SCANEN210
 - SCANEN211
 - SCANEN212
 - SCANEN213
 - SCANEN214
 - SCANEN215
 - SCANEN216
 - SCANEN217
 - SCANEN218
 - SCANEN219
 - SCANEN220
 - SCANEN221
 - SCANEN222
 - SCANEN223
 - SCANEN224
 - SCANEN225
 - SCANEN226
 - SCANEN227
 - SCANEN228
 - SCANEN229
 - SCANEN230
 - SCANEN231
 - SCANEN232
 - SCANEN233
 - SCANEN234
 - SCANEN235
 - SCANEN236
 - SCANEN237
 - SCANEN238
 - SCANEN239
 - SCANEN240
 - SCANEN241
 - SCANEN242
 - SCANEN243
 - SCANEN244
 - SCANEN245
 - SCANEN246
 - SCANEN247
 - SCANEN248
 - SCANEN249
 - SCANEN250
 - SCANEN251
 - SCANEN252
 - SCANEN253
 - SCANEN254
 - SCANEN255
 - SCANEN256
 - SCANEN257
 - SCANEN258
 - SCANEN259
 - SCANEN260
 - SCANEN261
 - SCANEN262
 - SCANEN263
 - SCANEN264
 - SCANEN265
 - SCANEN266
 - SCANEN267
 - SCANEN268
 - SCANEN269
 - SCANEN270
 - SCANEN271
 - SCANEN272
 - SCANEN273
 - SCANEN274
 - SCANEN275
 - SCANEN276
 - SCANEN277
 - SCANEN278
 - SCANEN279
 - SCANEN280
 - SCANEN281
 - SCANEN282
 - SCANEN283
 - SCANEN284
 - SCANEN285
 - SCANEN286
 - SCANEN287
 - SCANEN288
 - SCANEN289
 - SCANEN290
 - SCANEN291
 - SCANEN292
 - SCANEN293
 - SCANEN294
 - SCANEN295
 - SCANEN296
 - SCANEN297
 - SCANEN298
 - SCANEN299
 - SCANEN300

NATIONAL DATA COMM CORPORATION

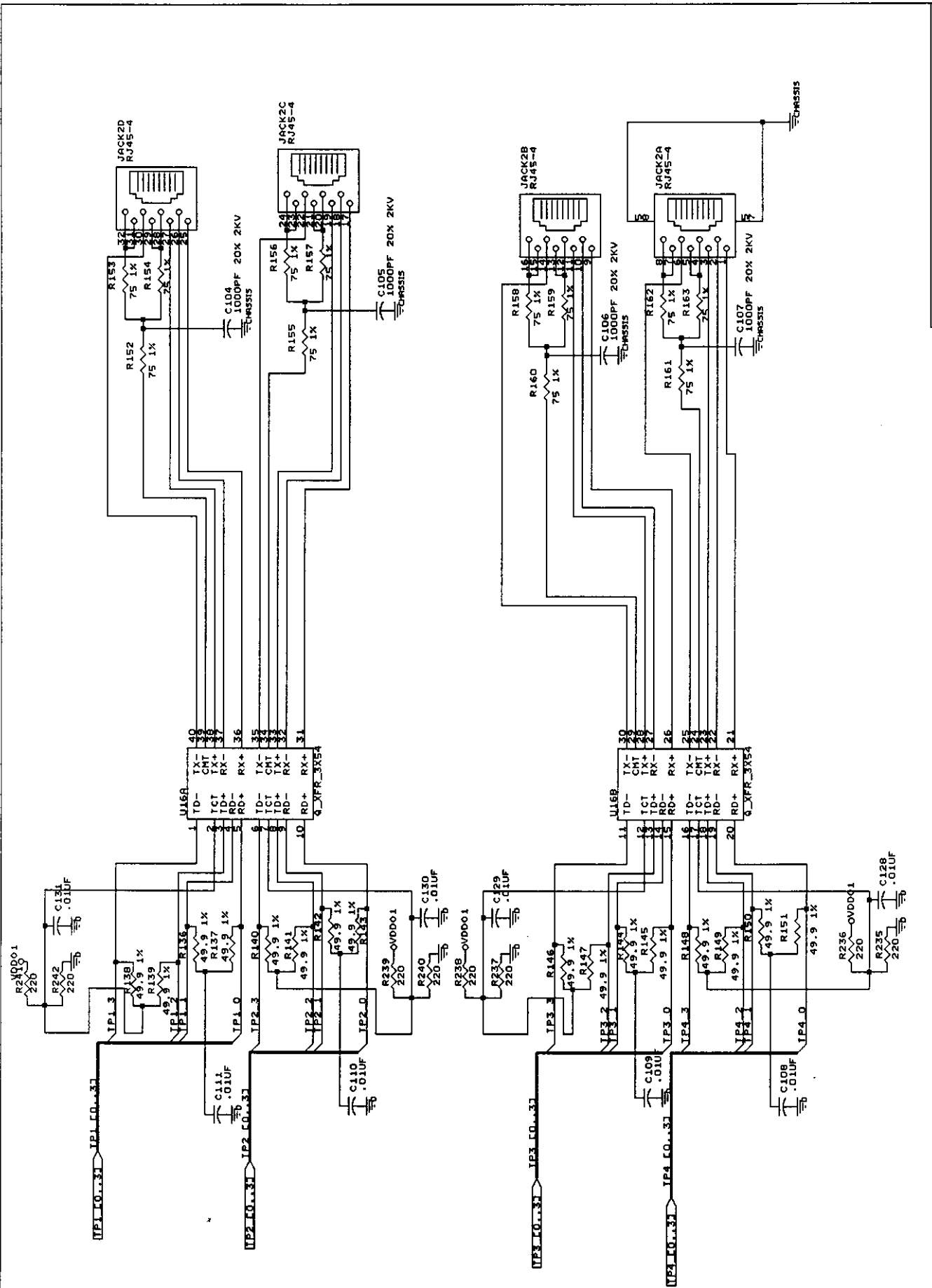


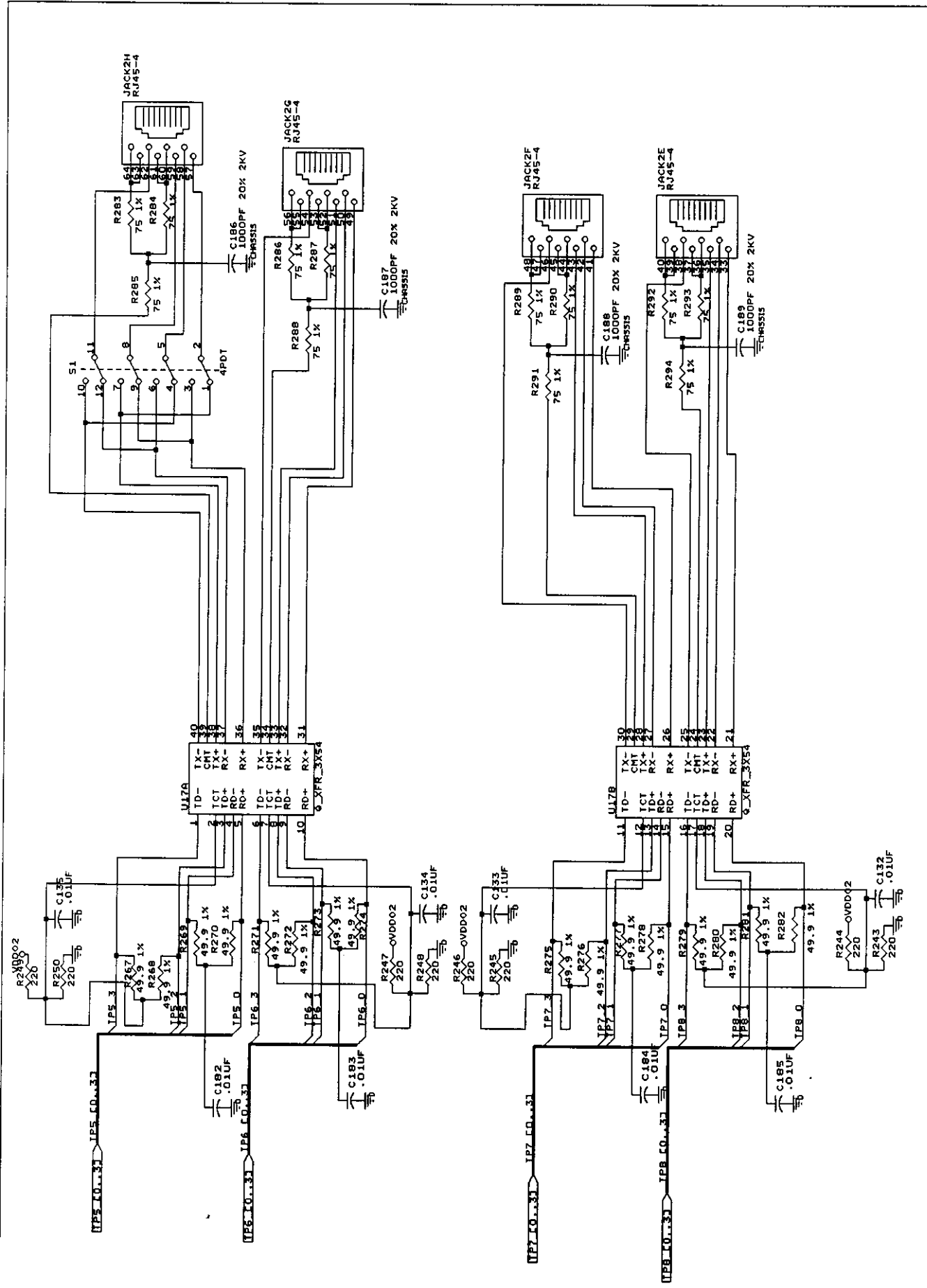


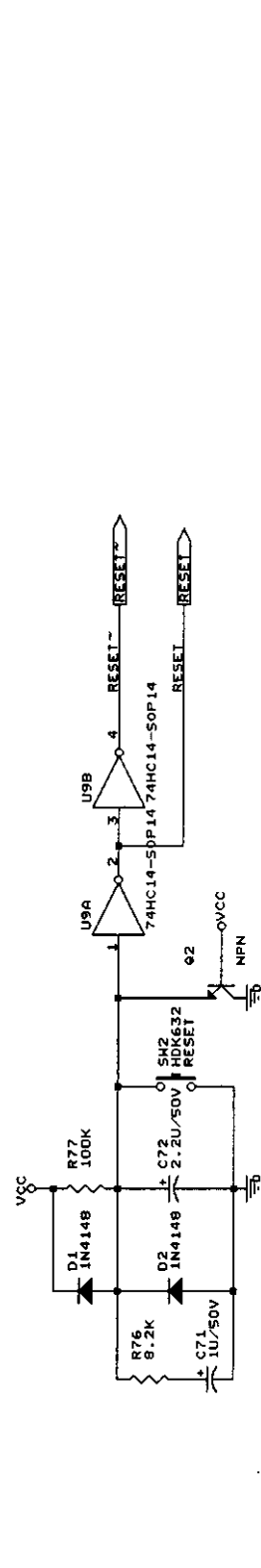
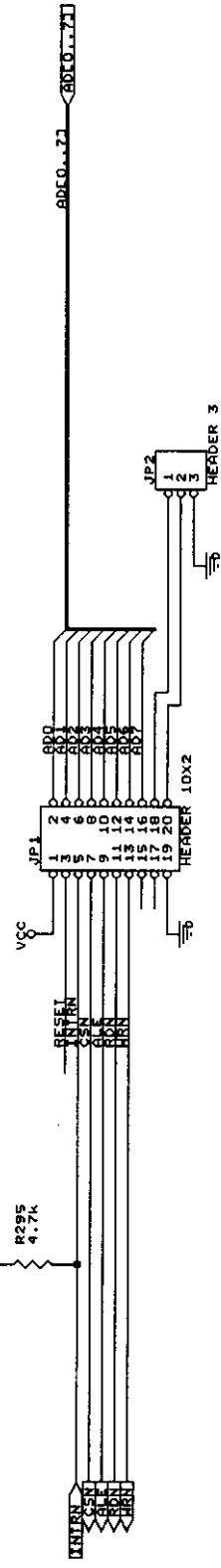
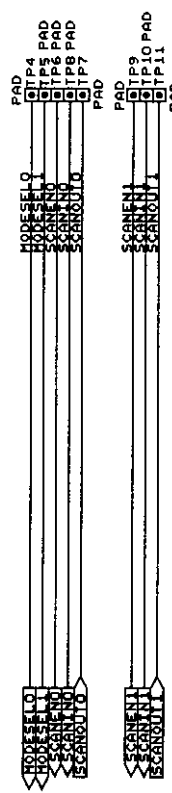
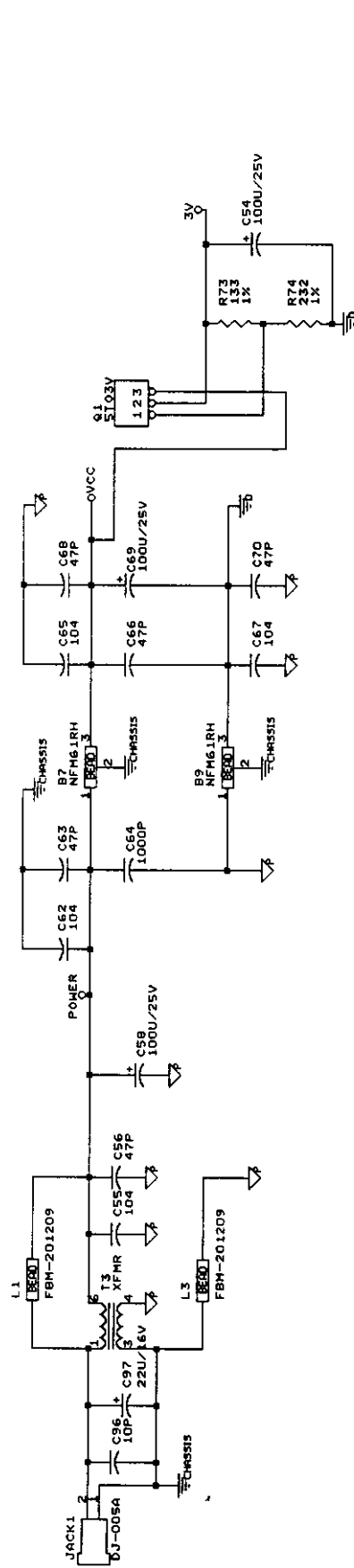
EDMCLKI CONNECT TO THE MIDDLE OF DMCLKO TRACES

DMDATA0..631

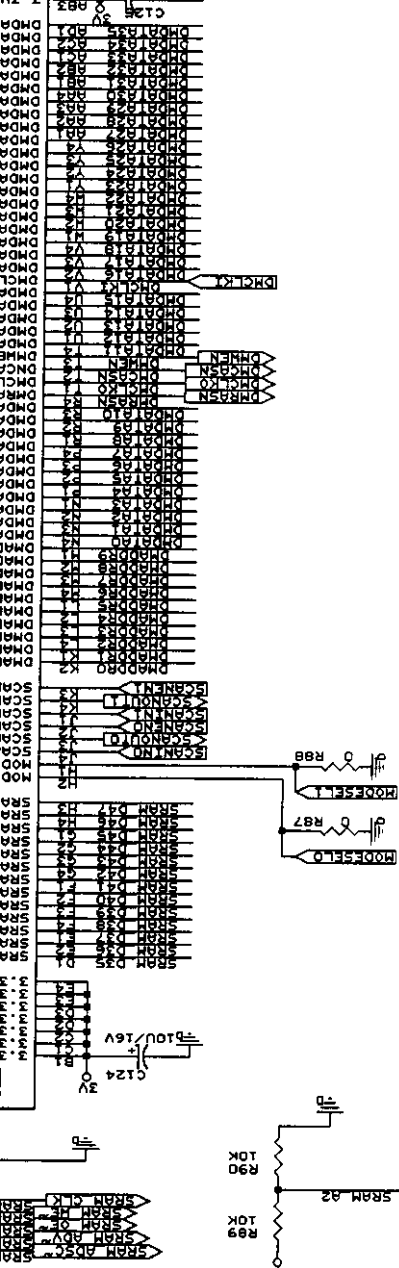
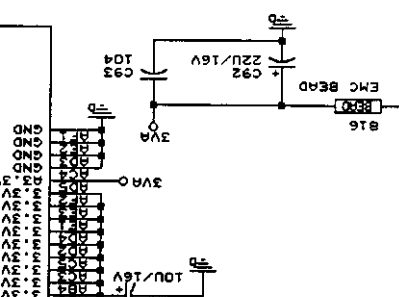
DMDATA2..631



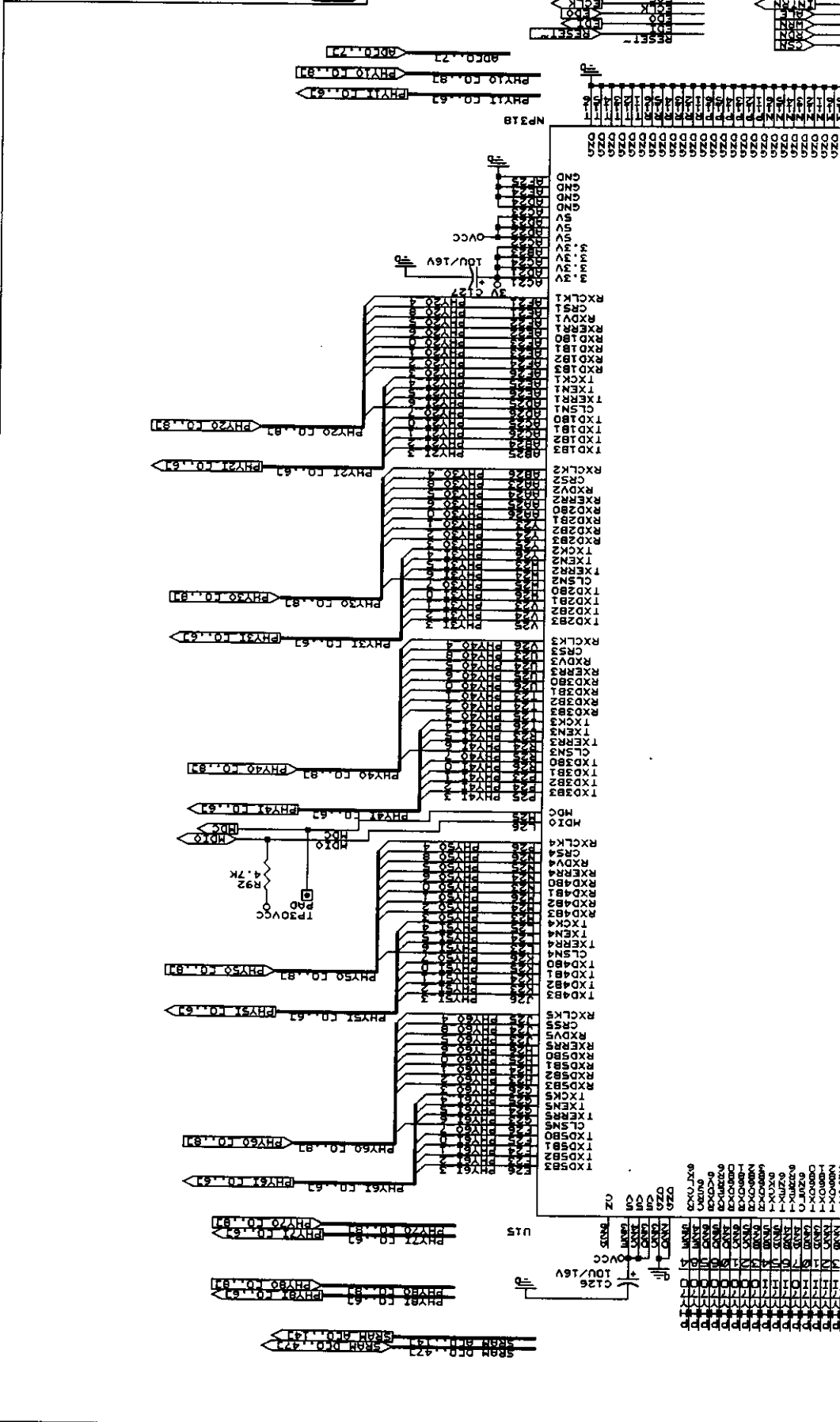


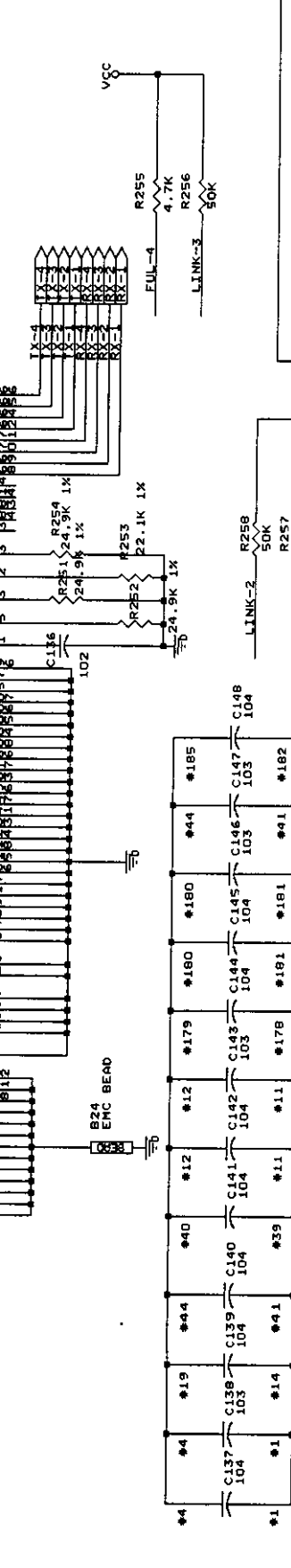
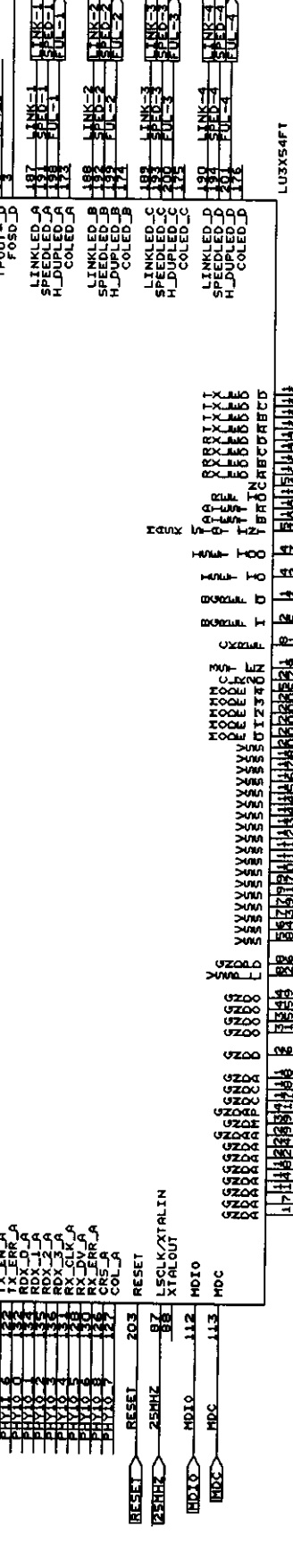
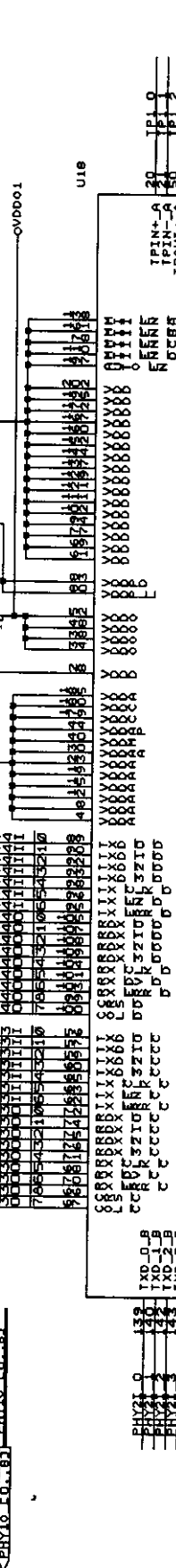
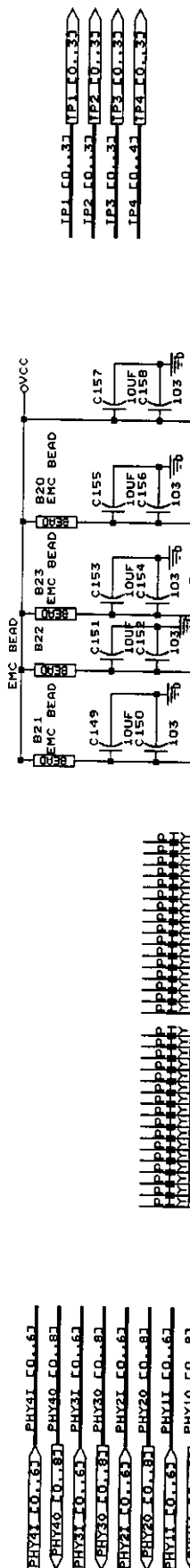


DMADRC0_97
DMADRC0_637



Part No.	Quantity	Part Description
DMADRC0_97	1	DMADRC0_97
DMADRC0_637	1	DMADRC0_637
25MHZ	1	Crystal
22uF/16V	1	Capacitor C92
10uF	1	Capacitor C93
EMC BEAD	1	EMC BEAD
10K	1	Resistor R90
SRAM_A0	1	SRAM Pin
SRAM_A1	1	SRAM Pin
SRAM_A2	1	SRAM Pin
SRAM_A3	1	SRAM Pin
SRAM_A4	1	SRAM Pin
SRAM_A5	1	SRAM Pin
SRAM_A6	1	SRAM Pin
SRAM_A7	1	SRAM Pin
SRAM_A8	1	SRAM Pin
SRAM_A9	1	SRAM Pin
SRAM_A10	1	SRAM Pin
SRAM_A11	1	SRAM Pin
SRAM_A12	1	SRAM Pin
SRAM_A13	1	SRAM Pin
SRAM_A14	1	SRAM Pin
SRAM_A15	1	SRAM Pin
SRAM_B0	1	SRAM Pin
SRAM_B1	1	SRAM Pin
SRAM_B2	1	SRAM Pin
SRAM_B3	1	SRAM Pin
SRAM_B4	1	SRAM Pin
SRAM_B5	1	SRAM Pin
SRAM_B6	1	SRAM Pin
SRAM_B7	1	SRAM Pin
SRAM_B8	1	SRAM Pin
SRAM_B9	1	SRAM Pin
SRAM_B10	1	SRAM Pin
SRAM_B11	1	SRAM Pin
SRAM_B12	1	SRAM Pin
SRAM_B13	1	SRAM Pin
SRAM_B14	1	SRAM Pin
SRAM_B15	1	SRAM Pin
SRAM_CLK	1	SRAM Pin
SRAM_D0	1	SRAM Pin
SRAM_D1	1	SRAM Pin
SRAM_D2	1	SRAM Pin
SRAM_D3	1	SRAM Pin
SRAM_D4	1	SRAM Pin
SRAM_D5	1	SRAM Pin
SRAM_D6	1	SRAM Pin
SRAM_D7	1	SRAM Pin
SRAM_D8	1	SRAM Pin
SRAM_D9	1	SRAM Pin
SRAM_D10	1	SRAM Pin
SRAM_D11	1	SRAM Pin
SRAM_D12	1	SRAM Pin
SRAM_D13	1	SRAM Pin
SRAM_D14	1	SRAM Pin
SRAM_D15	1	SRAM Pin
SRAM_WE	1	SRAM Pin
SRAM_OE	1	SRAM Pin
SRAM_CS	1	SRAM Pin
MODESEL0	1	SRAM Pin
MODESEL1	1	SRAM Pin





- PHY41 CO..61
- PHY40 CO..61
- PHY31 CO..61
- PHY30 CO..61
- PHY21 CO..61
- PHY20 CO..61
- PHY11 CO..61
- PHY10 CO..61

- TPIN+ A
- TPIN+ B
- TPIN+ C
- TPIN+ D
- TPIN- A
- TPIN- B
- TPIN- C
- TPIN- D
- FOSD A
- FOSD B
- FOSD C
- FOSD D
- LINKED A
- LINKED B
- LINKED C
- LINKED D
- SPEEDLED A
- SPEEDLED B
- SPEEDLED C
- SPEEDLED D
- H_DUPLED A
- H_DUPLED B
- H_DUPLED C
- H_DUPLED D

- TX-4
- TX-3
- TX-2
- TX-1
- RX-4
- RX-3
- RX-2
- RX-1
- R251
- R252
- R253
- R254
- R255
- R256
- R257
- R258

- FUL-1
- FUL-2
- FUL-3
- FUL-4

- C137
- C138
- C139
- C140
- C141
- C142
- C143
- C144
- C145
- C146
- C147
- C148
- C149
- C150
- C151
- C152
- C153
- C154
- C155
- C156
- C157

