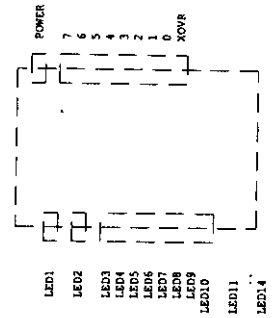
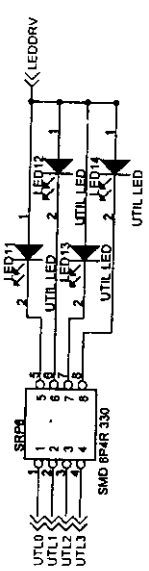
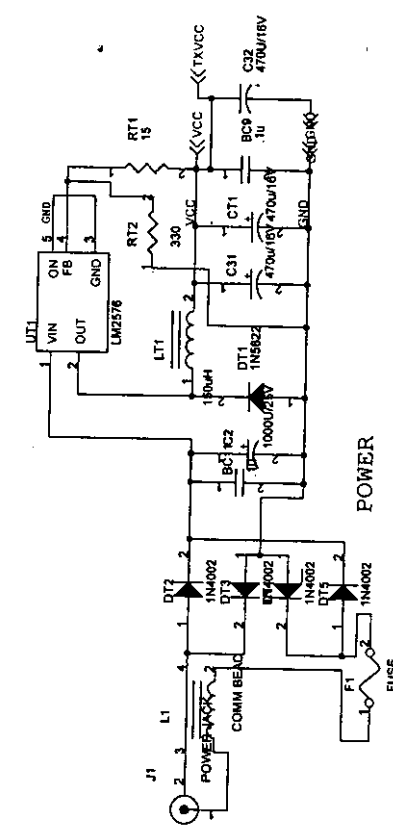
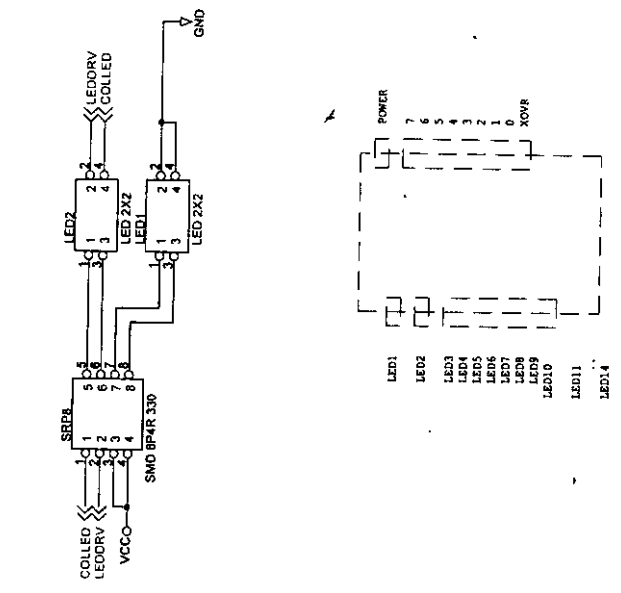
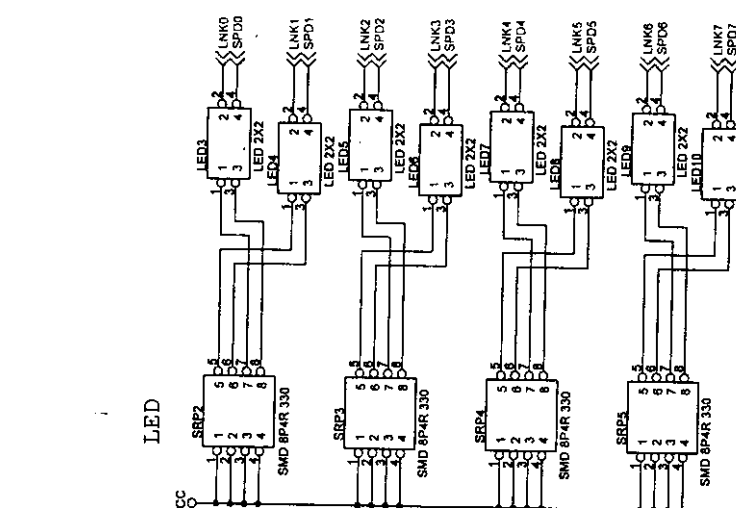
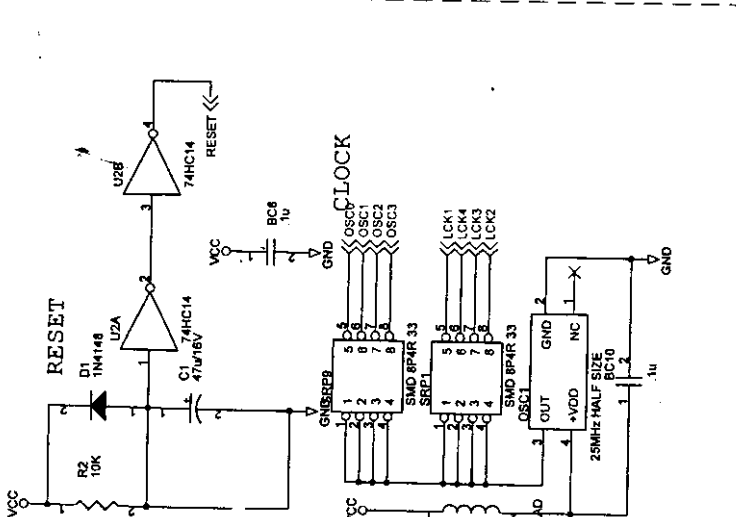



EXHIBIT D

Circuit Diagram




CIS TECHNOLOGY INC.
 FILE : DH05-V2-2.SCH
 ENGINEER : Y. C. KANG
 PIN : PL400807600

Title : 5 PORT DUAL SPEED ETHERNET HUB
 Size : Document Number
 B : CIS-DH05V2-DUMB-HUB-V1
 Date : Wednesday, Apr 28, 1999
 Sheet : 2 of 6
 Rev : 1

