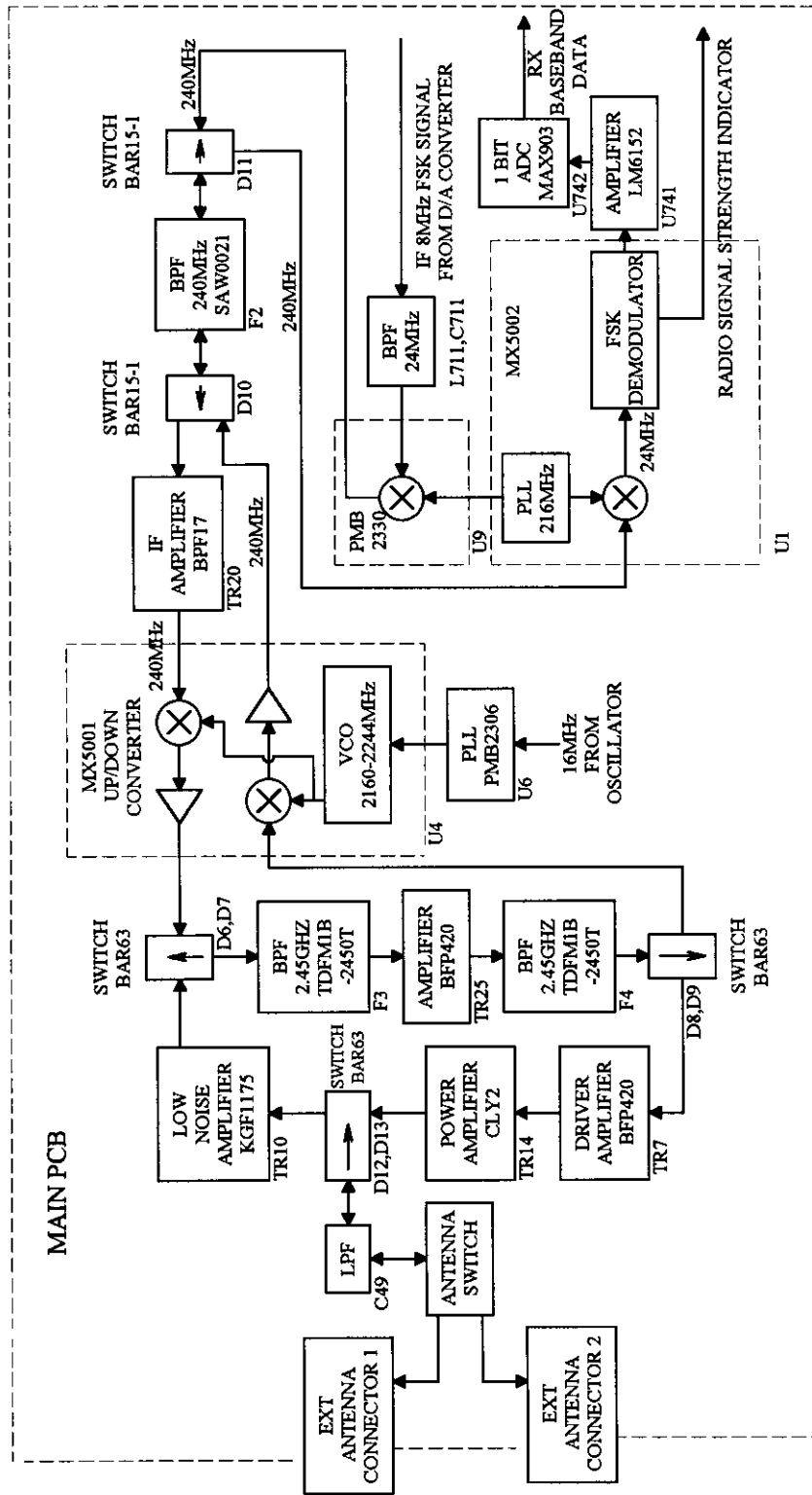
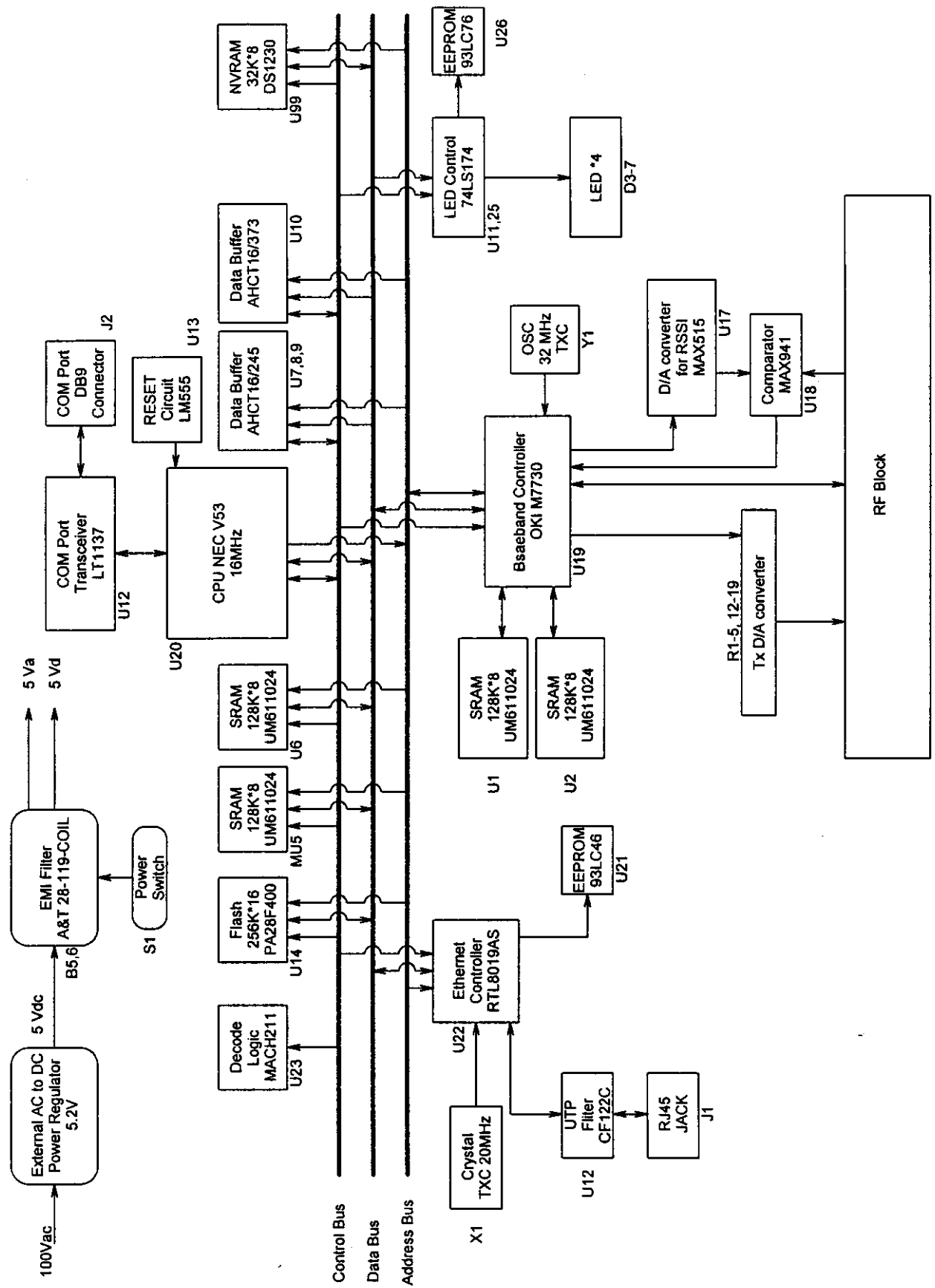


# ***Block Diagram***

# WIRELESS LAN MICRO AP RF BLOCK DIAGRAM



Micro AP Function Block



# ***Exhibit A..... Technical Report, Diagram***

## **Applicant Name And Address**

***Their full name and mailing address is given below:***

***Name .....: NATIONAL DATACOMM CORPORATION***

***Address .....: 2F, NO. 28, INDUSTRY EAST 9TH ROAD, SCIENCE  
PARK, HSINCHU, TAIWAN, R.O.C.***

***Model No. ....: NW668***

***Brand Name .....: InstantWave***

# **FCC APPLICATION FOR CERTIFICATION**

***FOR***

**NATIONAL DATACOMM CORPORATION**

**2F, NO. 28, INDUSTRY EAST 9TH ROAD, SCIENCE PARK,  
HSINCHU, TAIWAN, R.O.C.**

***EUT : CableFREE Hub***

***FCC ID. : IOU668S01***

***Jul., 1998***

***Submitted to :***

***Federal Communications Commission***

***EQUIPMENT APPROVAL SERVICES***

***P. O. BOX 358315***

***PITTSBURGH, PA 15251-3315***