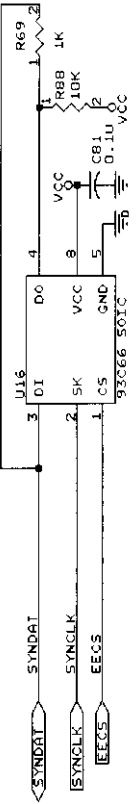
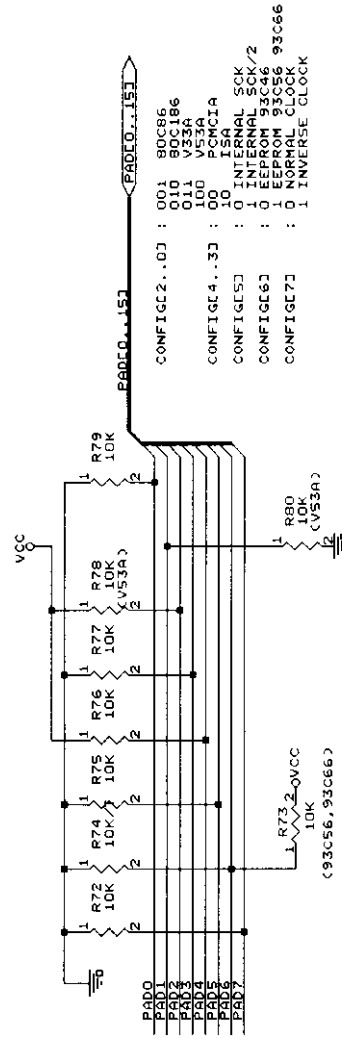
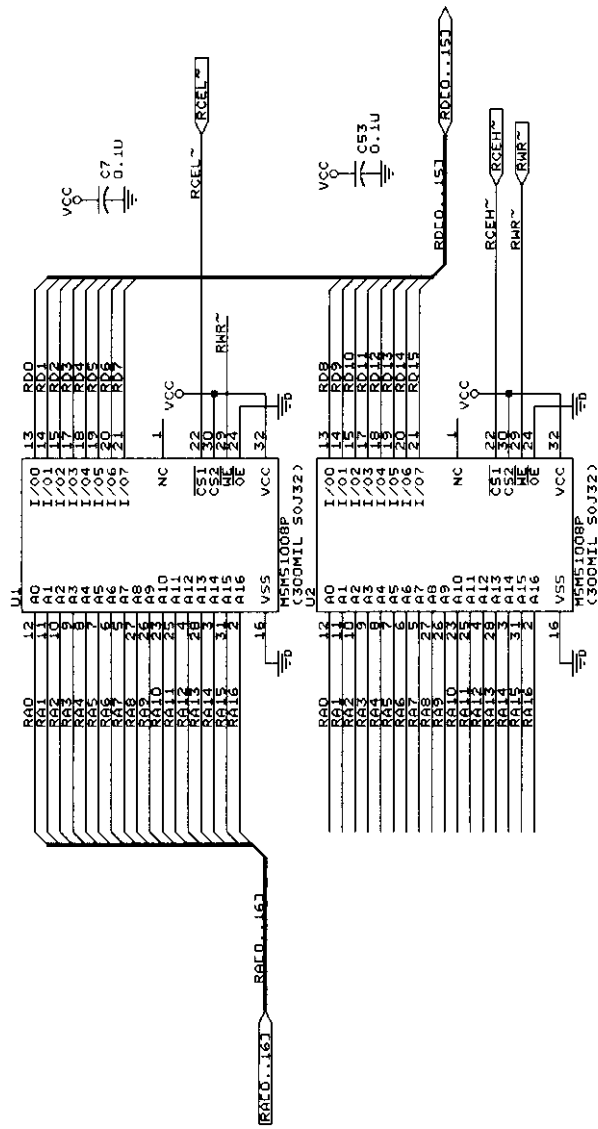
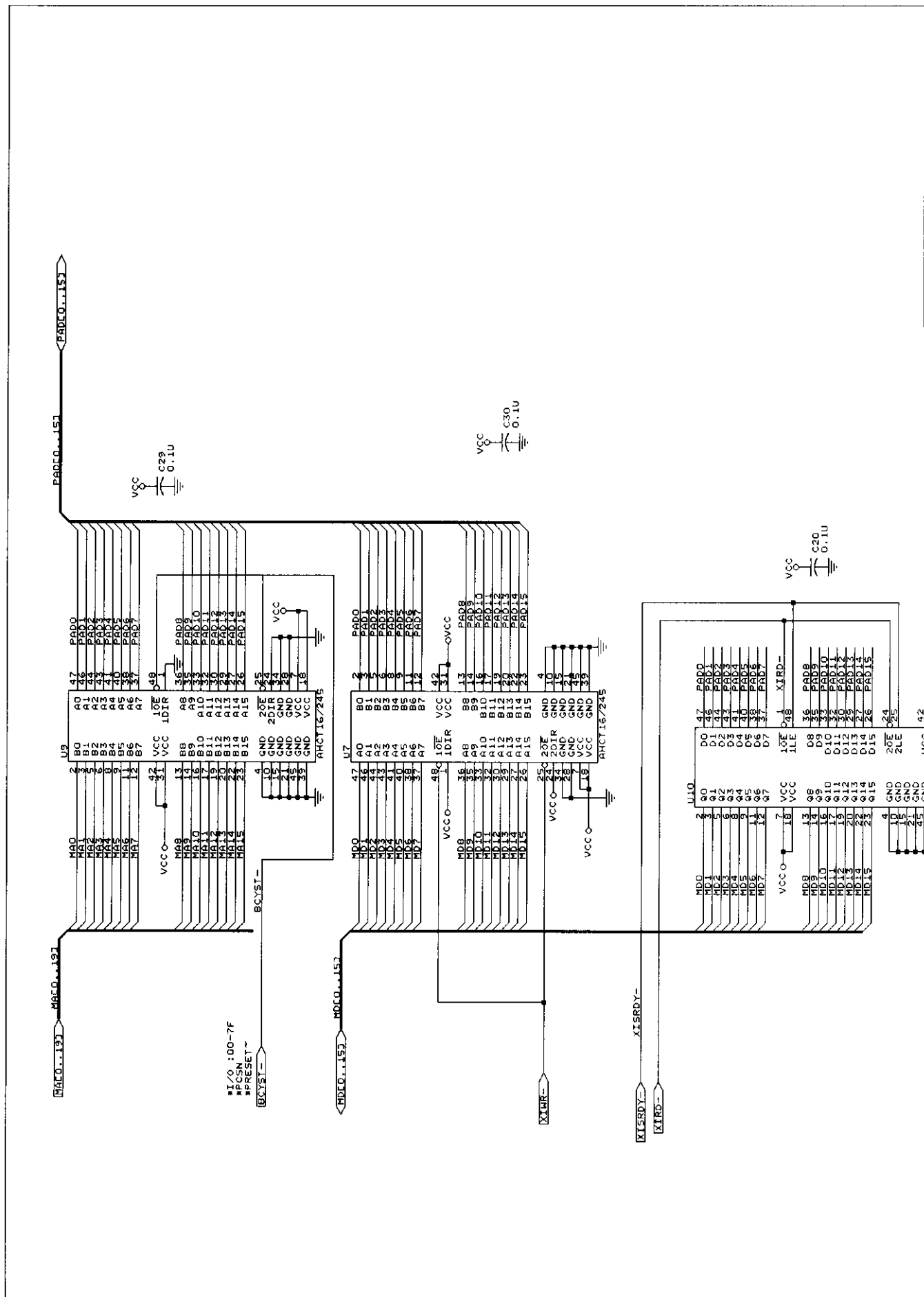
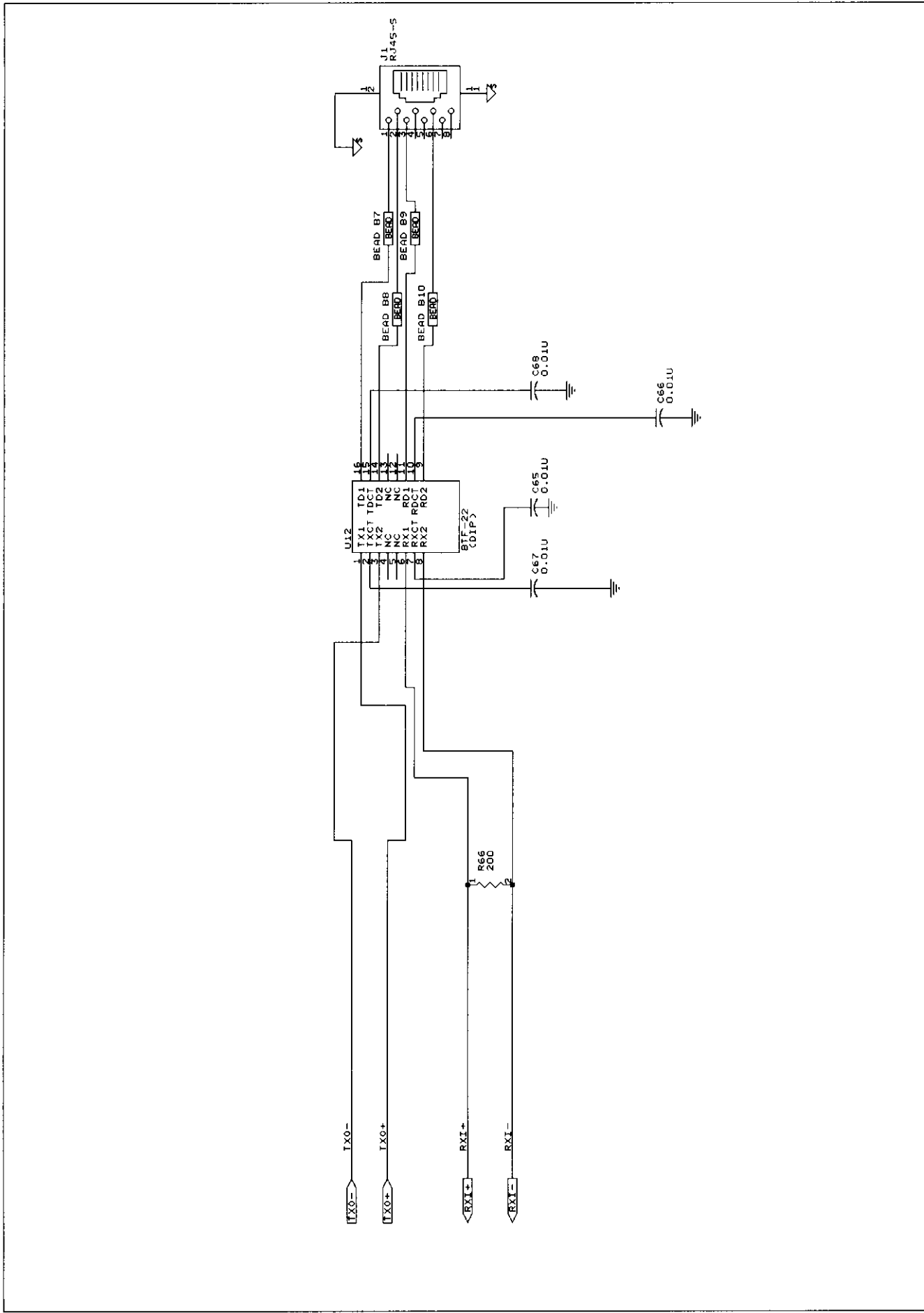


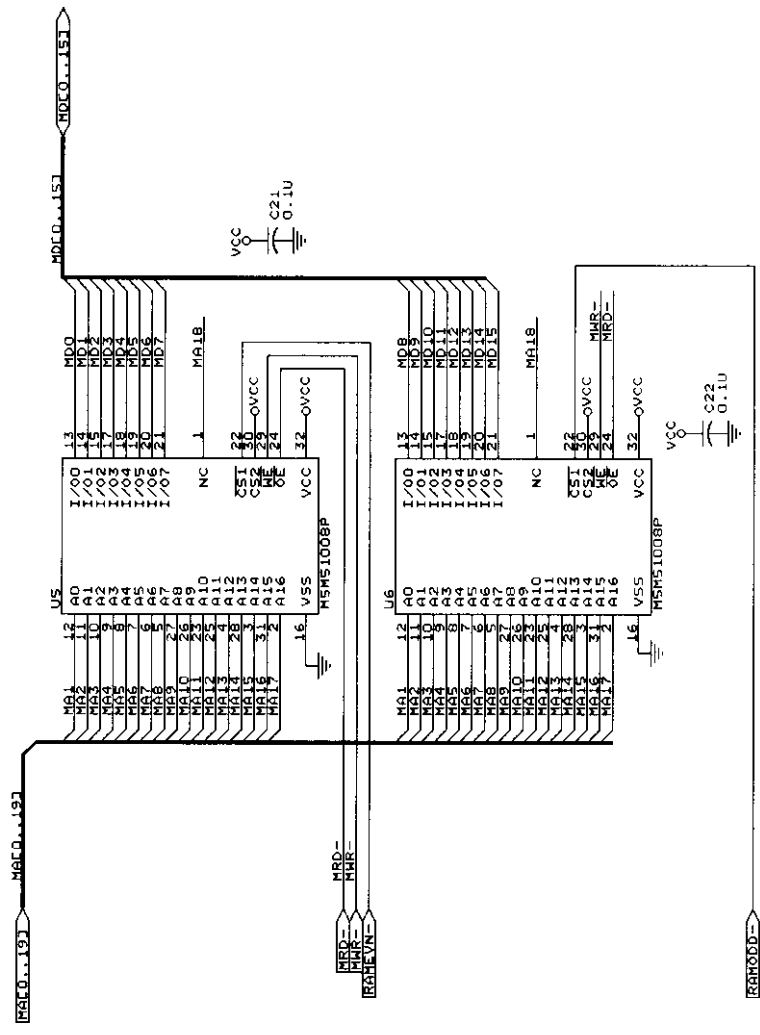
# *Circuit Diagram*

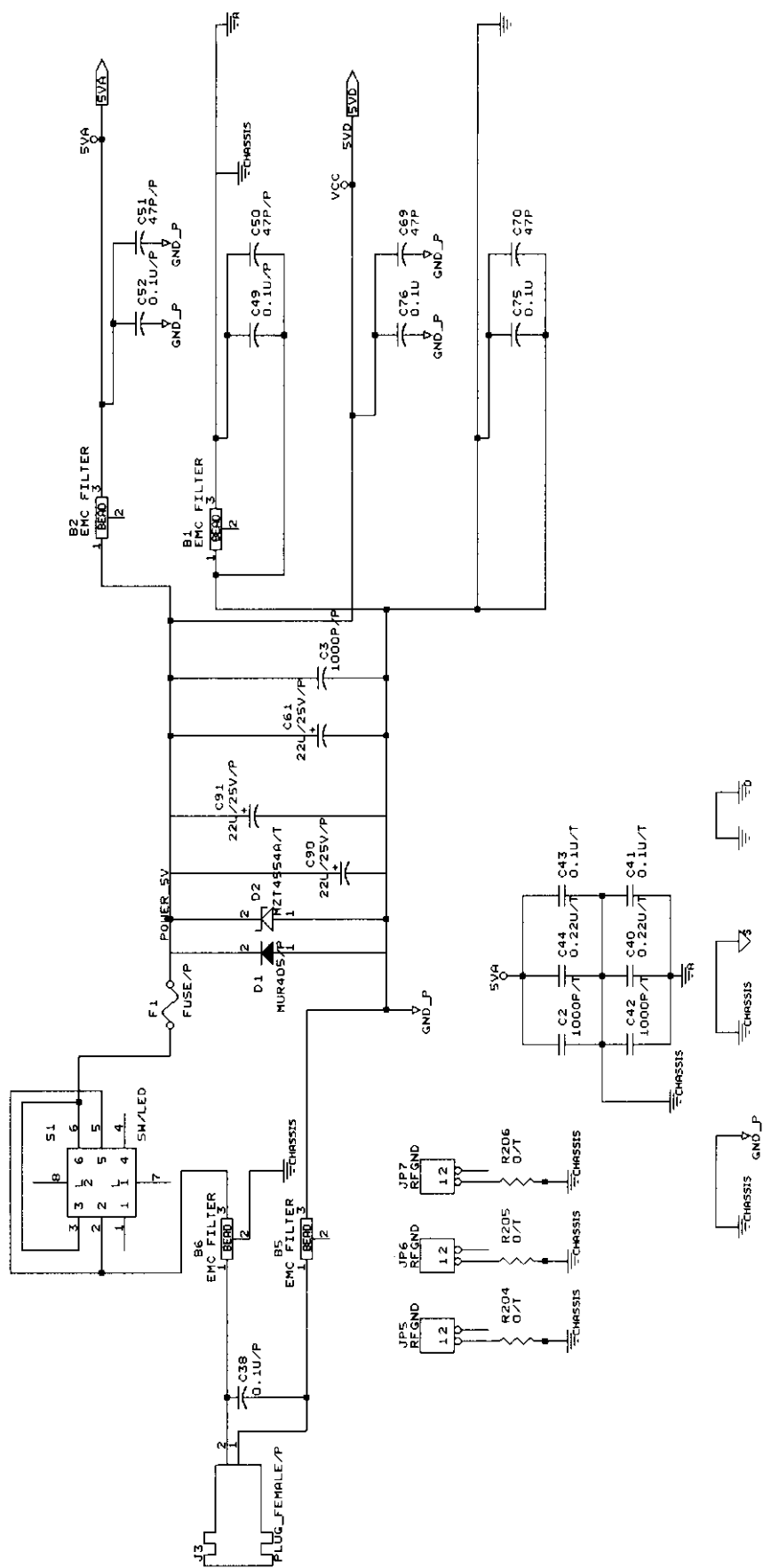


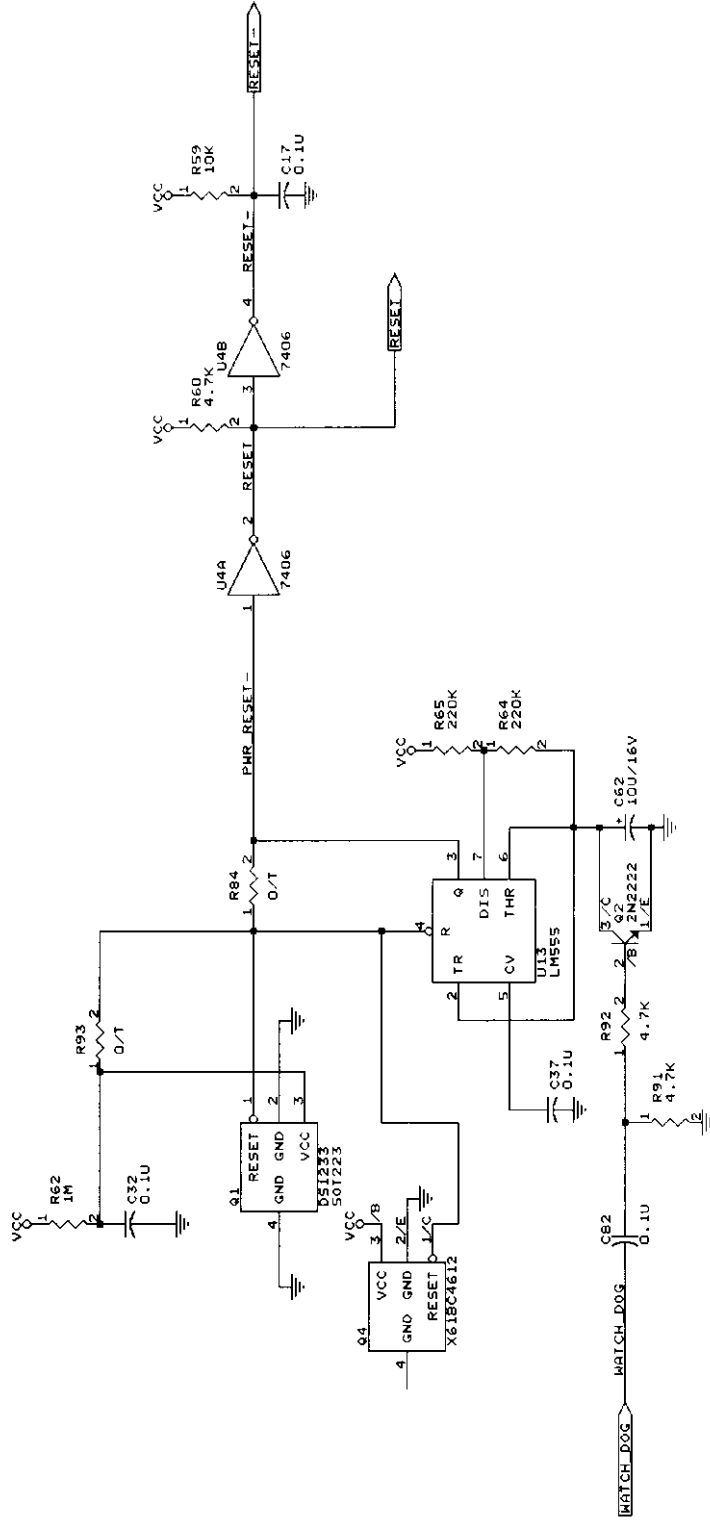




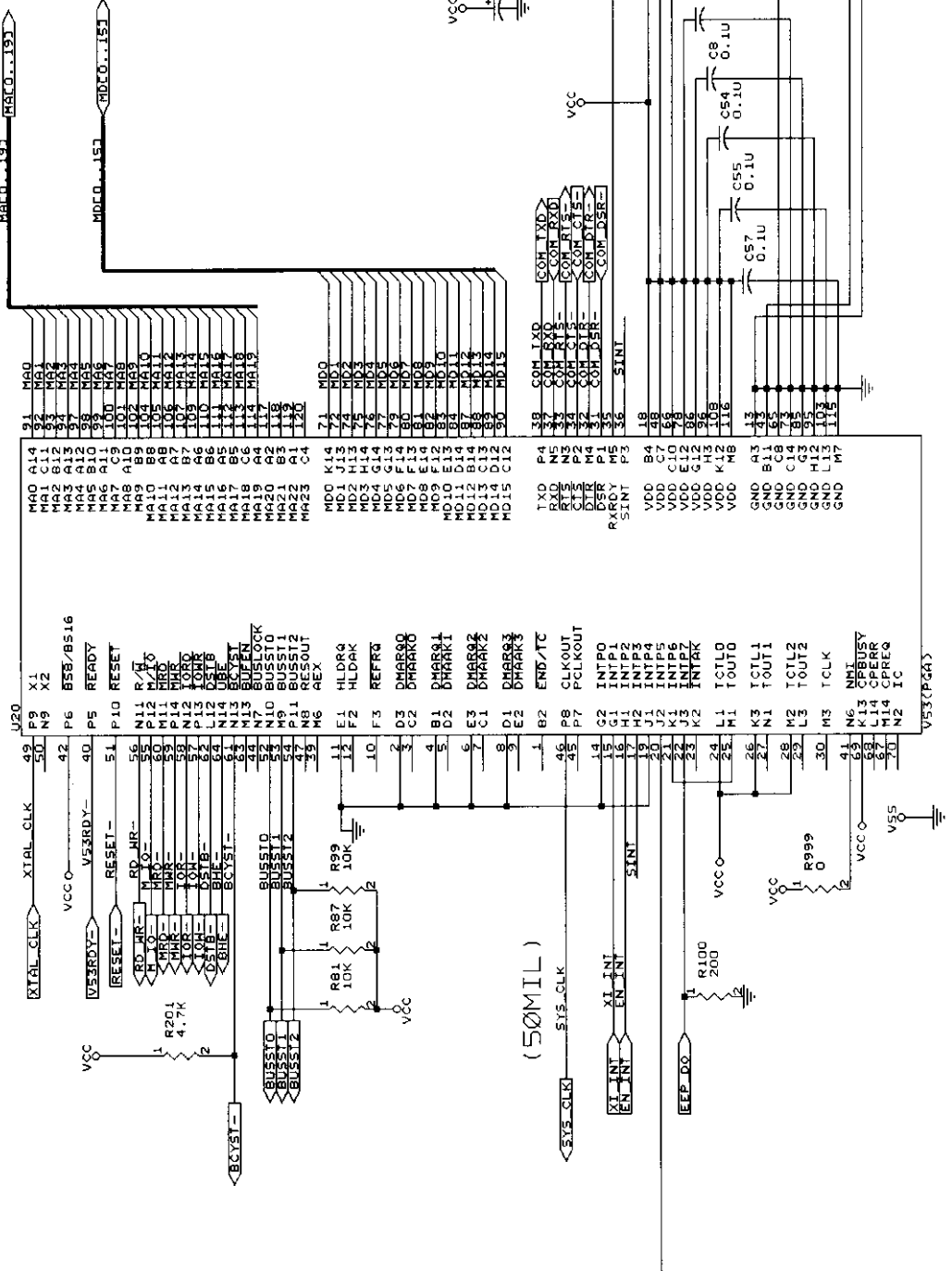










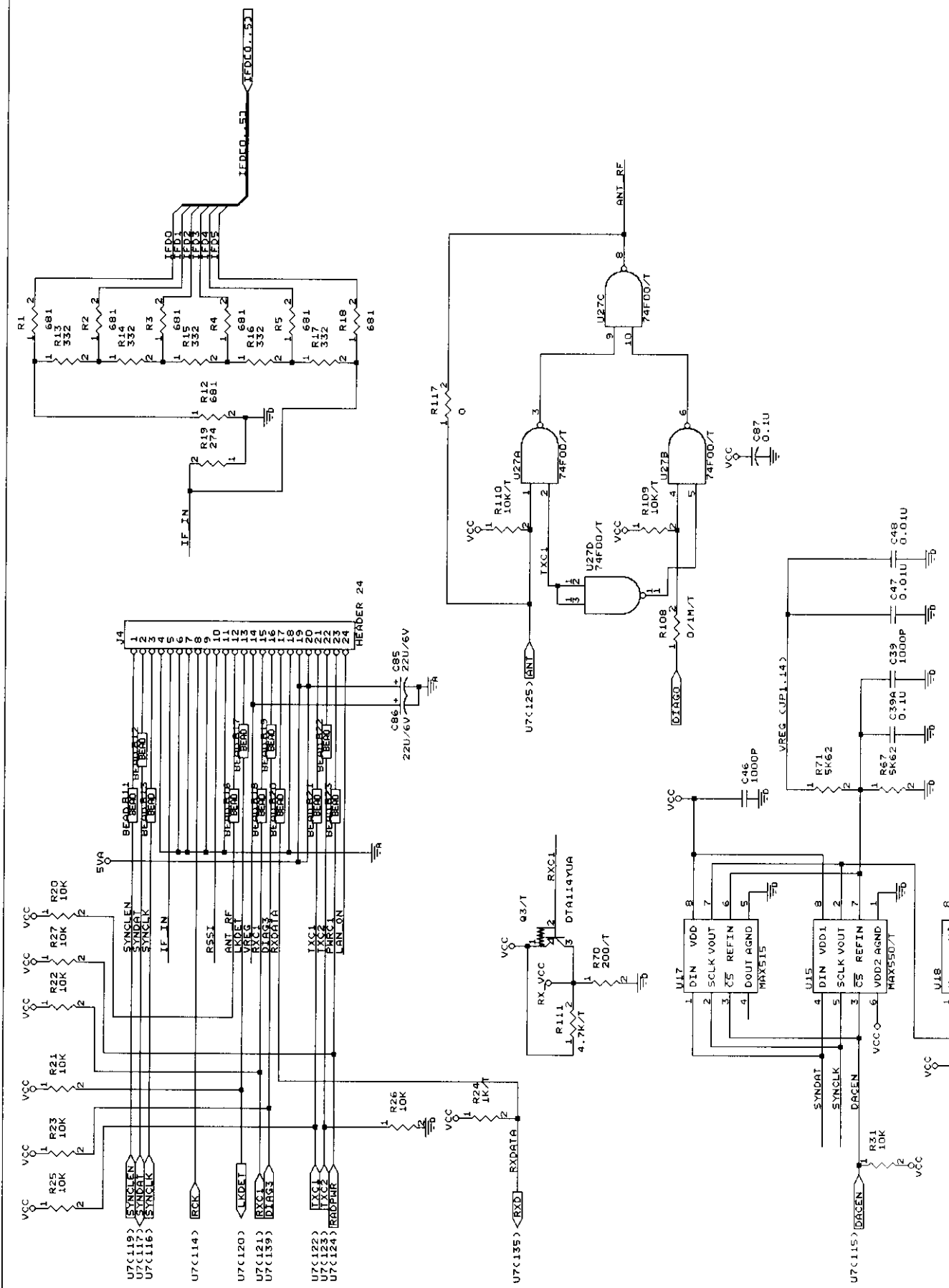


(50MIL)

VCC  
C60 100/16V

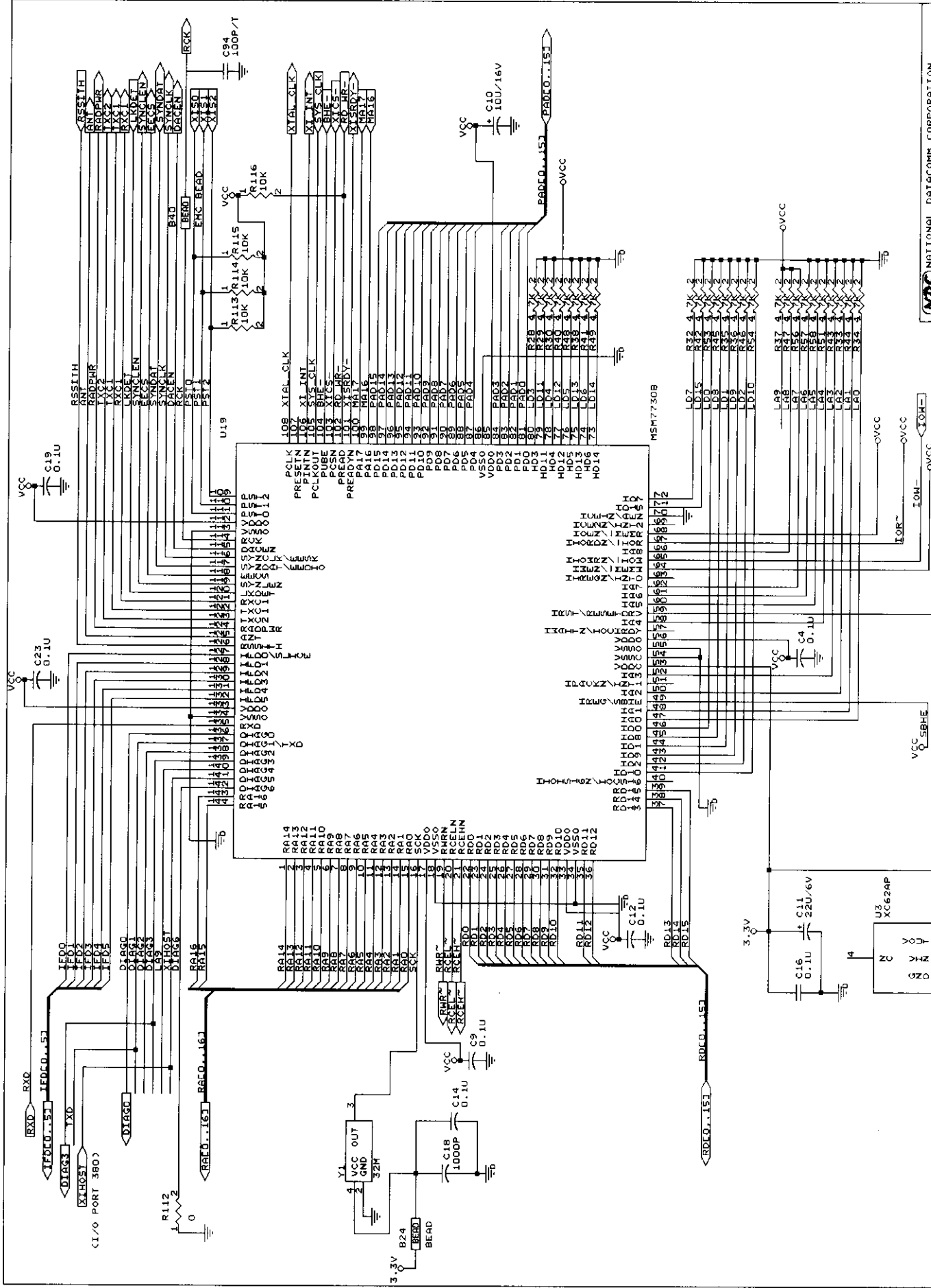
VCC  
C58 0.1U  
C13 0.1U  
C5 0.1U  
C6 0.1U  
C8 0.1U  
C54 0.1U  
C55 0.1U  
C57 0.1U

MA0	A14	MA9	P1	MA8	X1	MA7	P9	MA6	X2	MA5	50	MA4	P6	MA3	51	MA2	P5	MA1	52	MD0	71	MD1	72	MD2	73	MD3	74	MD4	75	MD5	76	MD6	77	MD7	78	MD8	79	MD9	80	MD10	81	MD11	82	MD12	83	MD13	84	MD14	85	MD15	86	MD16	87	MD17	88	MD18	89	MD19	90																				
MA10	A15	MA11	P10	MA12	56	MA13	57	MA14	58	MA15	59	MA16	60	MA17	61	MA18	62	MA19	63	MA20	64	MA21	65	MA22	66	MA23	67	MA24	68	MA25	69	MA26	70	MA27	71	MA28	72	MA29	73	MA30	74	MA31	75	MA32	76	MA33	77	MA34	78	MA35	79	MA36	80	MA37	81	MA38	82	MA39	83	MA40	84	MA41	85	MA42	86	MA43	87	MA44	88	MA45	89	MA46	90						
MA47	A16	MA48	P11	MA49	54	MA50	55	MA51	56	MA52	57	MA53	58	MA54	59	MA55	60	MA56	61	MA57	62	MA58	63	MA59	64	MA60	65	MA61	66	MA62	67	MA63	68	MA64	69	MA65	70	MA66	71	MA67	72	MA68	73	MA69	74	MA70	75	MA71	76	MA72	77	MA73	78	MA74	79	MA75	80	MA76	81	MA77	82	MA78	83	MA79	84	MA80	85	MA81	86	MA82	87	MA83	88	MA84	89	MA85	90		
MA86	A17	MA87	P12	MA88	53	MA89	54	MA90	55	MA91	56	MA92	57	MA93	58	MA94	59	MA95	60	MA96	61	MA97	62	MA98	63	MA99	64	MA100	65	MA101	66	MA102	67	MA103	68	MA104	69	MA105	70	MA106	71	MA107	72	MA108	73	MA109	74	MA110	75	MA111	76	MA112	77	MA113	78	MA114	79	MA115	80	MA116	81	MA117	82	MA118	83	MA119	84	MA120	85	MA121	86	MA122	87	MA123	88	MA124	89	MA125	90

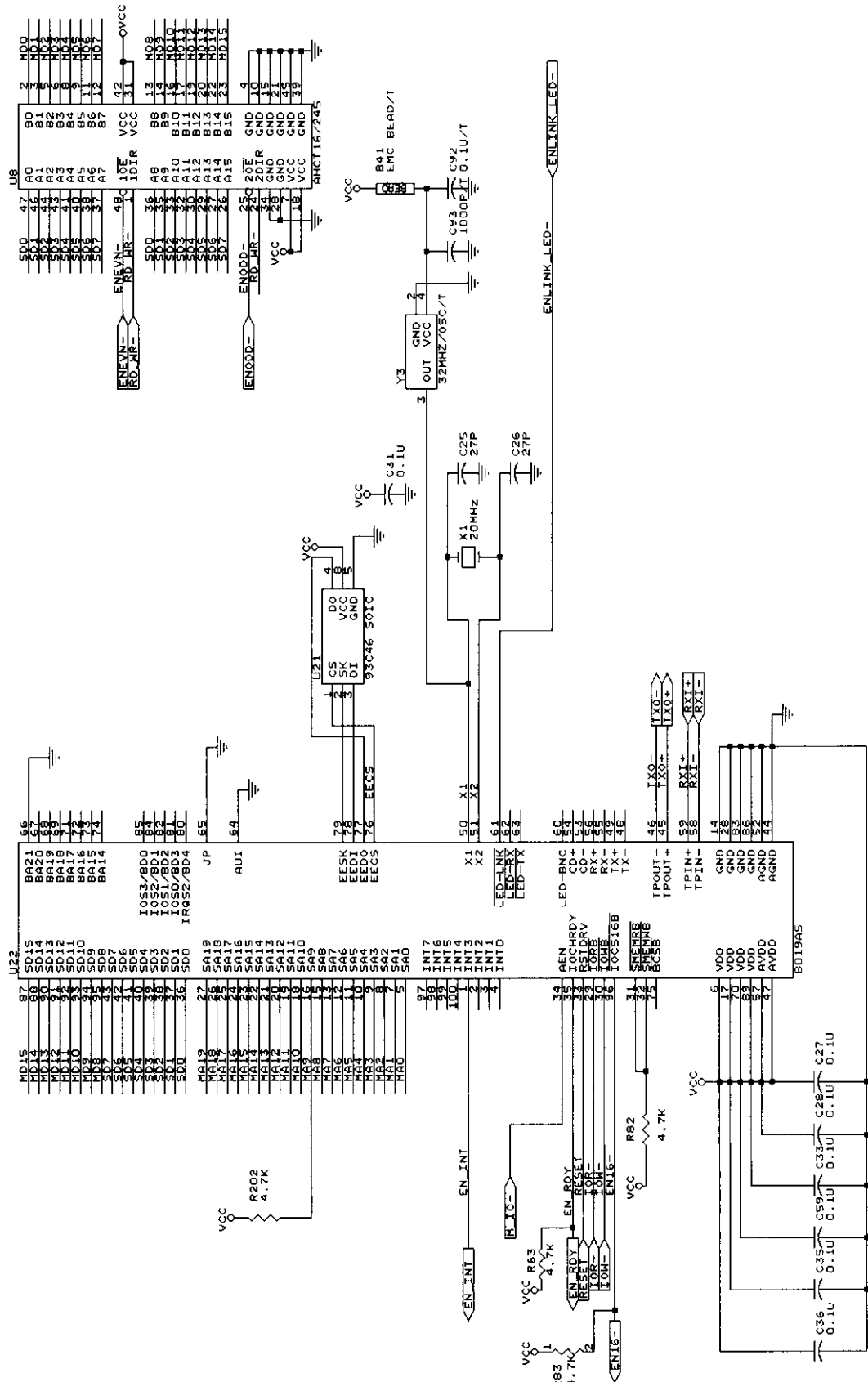


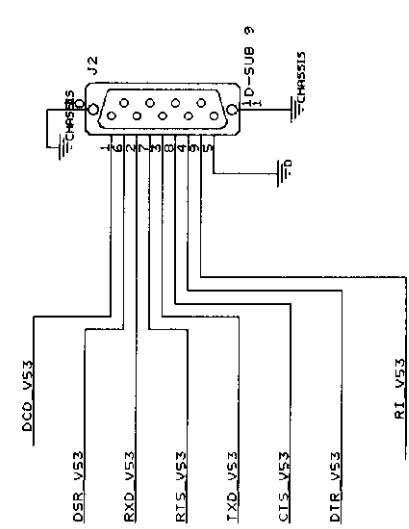
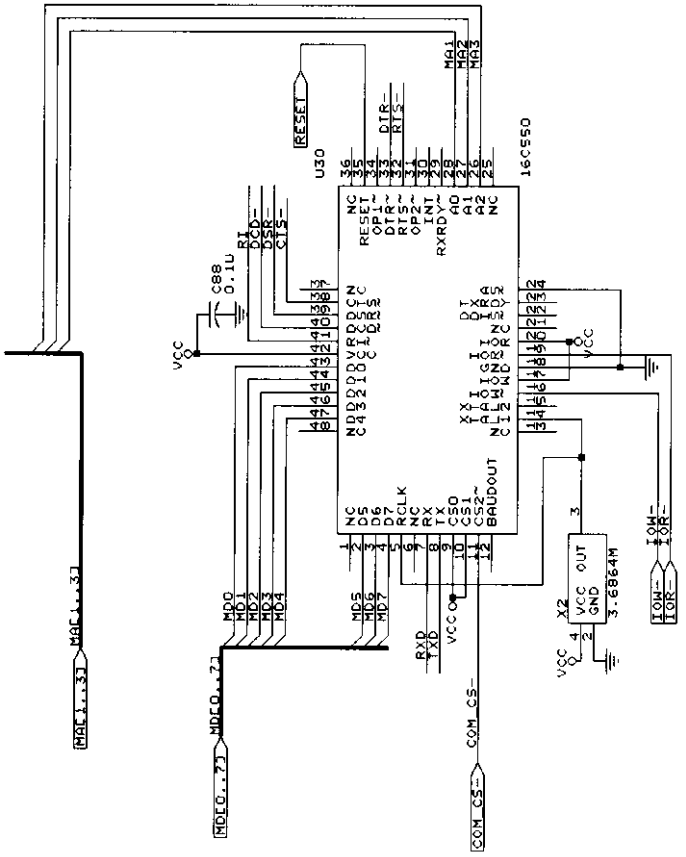
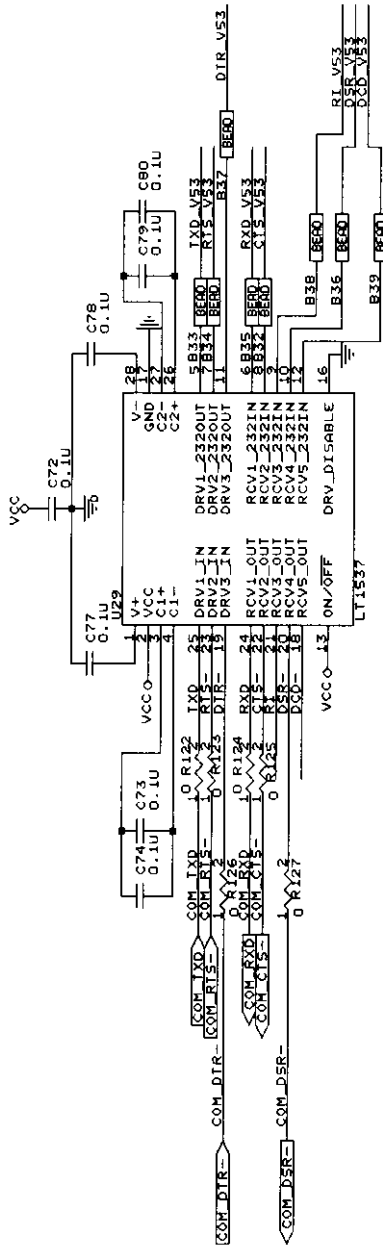
Title		Radio Interface	
Size	Document Number	97-50F611A	REV
B			X2

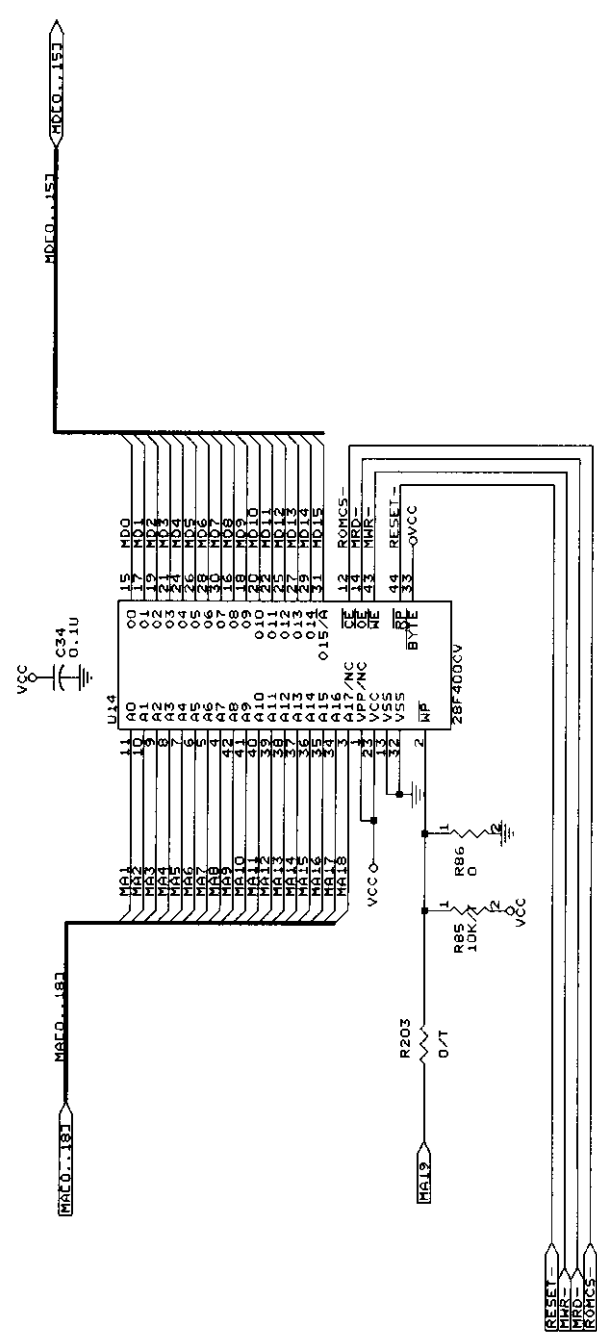
Title		Radio Interface	
Size	Document Number	97-50F611A	REV
B			X2

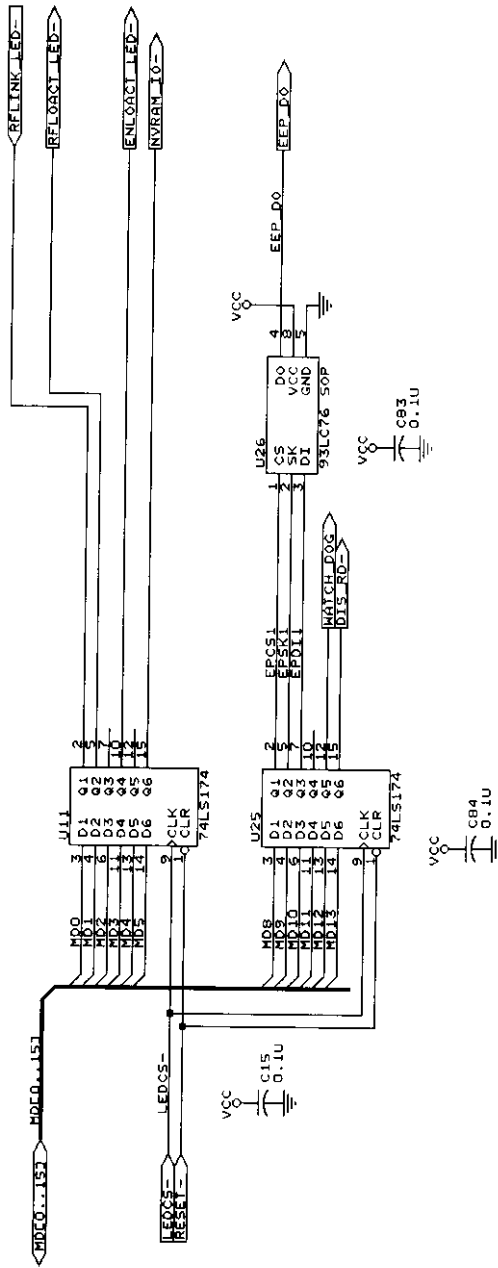


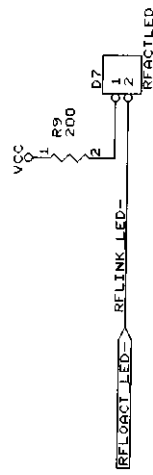
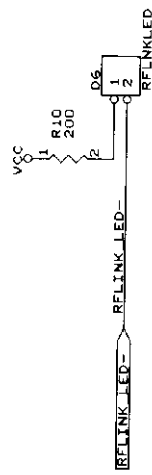
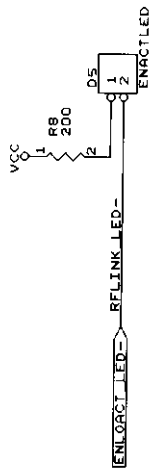
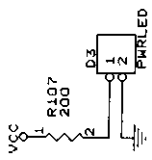
MDIO...153  
 MAC0...197







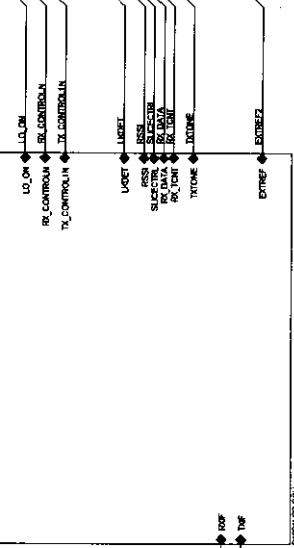




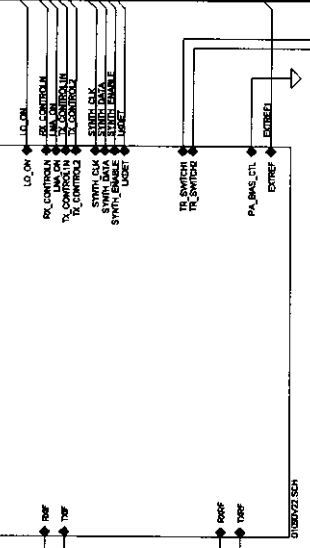


Program, Base, Control

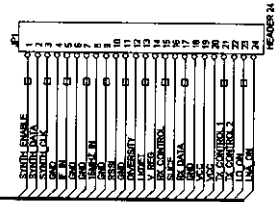
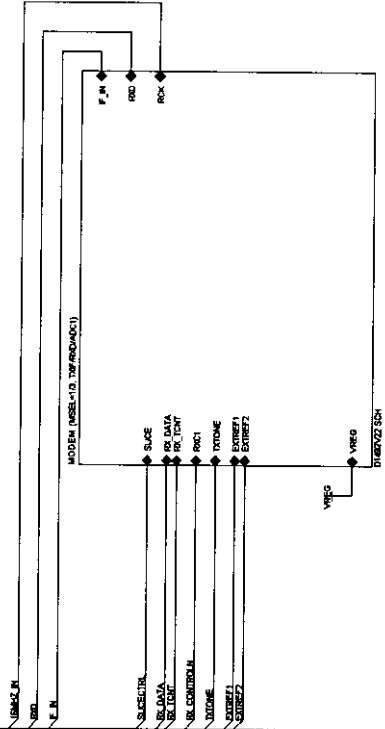
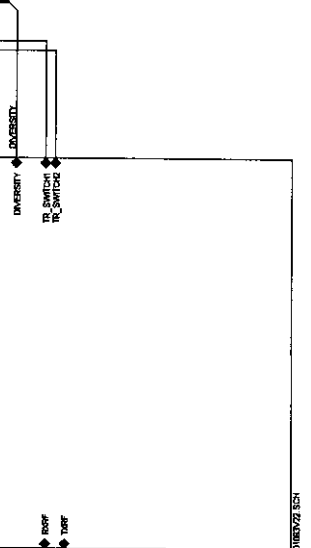
RADIO IF (TX/RX AND Inhibit Options)



RADIO RF (LNA, PA, RC IF, START/LOG)



DUAL DIVERSITY ANTENNA AND/OR SWITCH



NDC LTD.

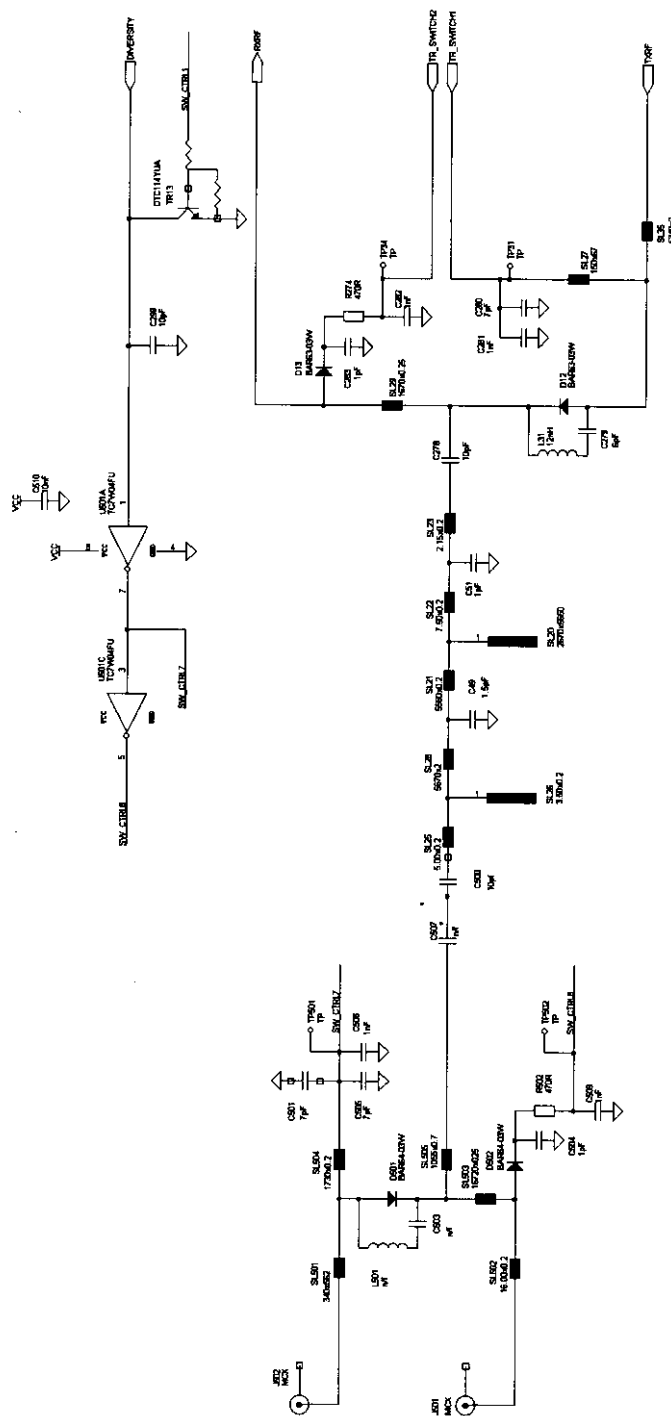
NW666 CableFREE Hub RF Module

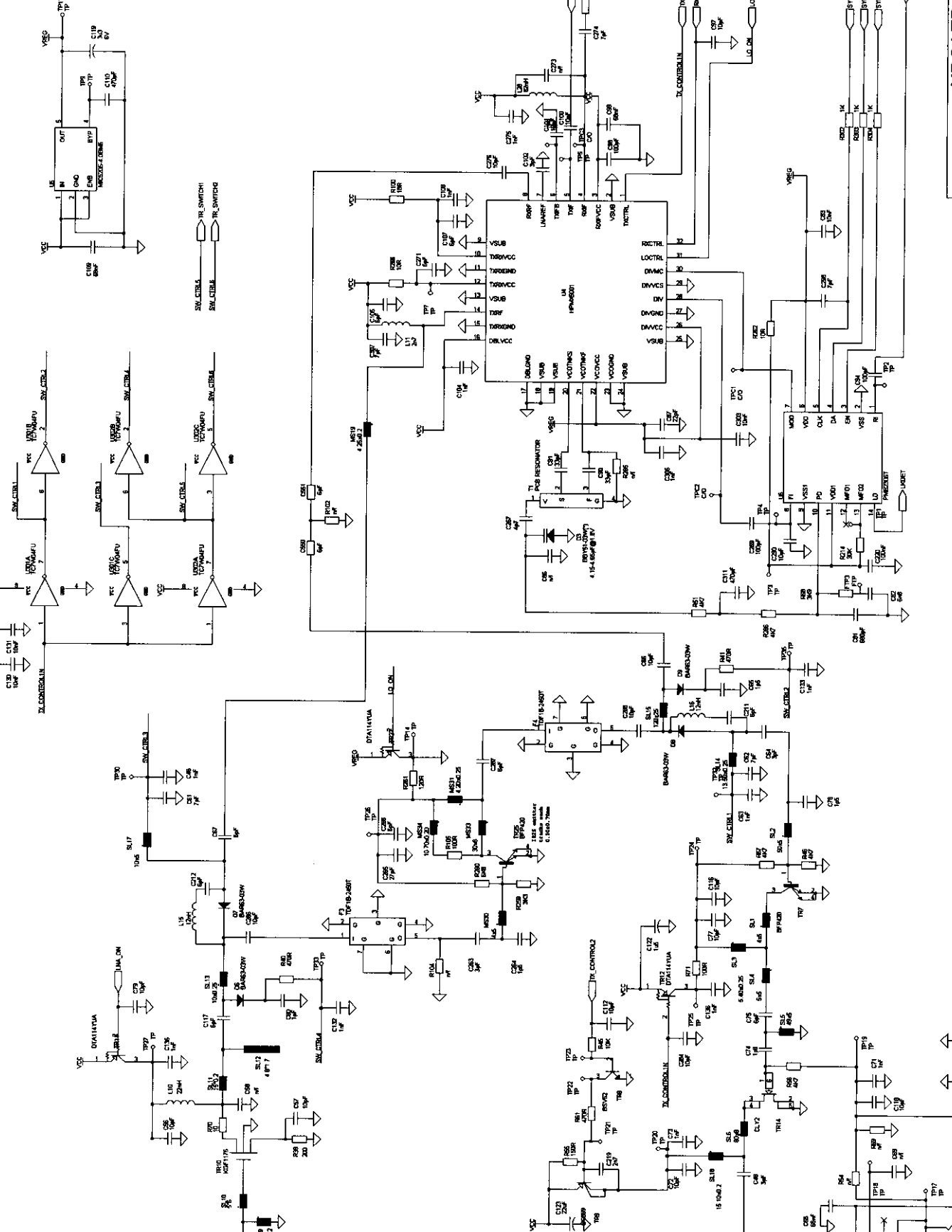
Document Number

Rev A/C

DATE: Wednesday, October 14, 1998

Page 1 of 1





**NDC LTD.**  
 NW666 CableFree HLB RF Module  
 Document Number  
 001, WOODBRIDGE, ONTARIO, CANADA L3R 9V8

PA, BNC, CT, ...  
 CONNECT TO OTHER MODULES  
 SHEET 11 OF 18

