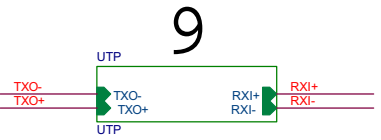
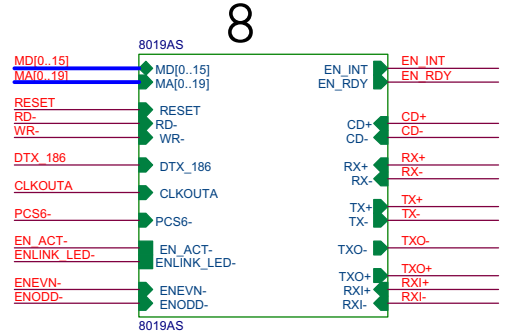
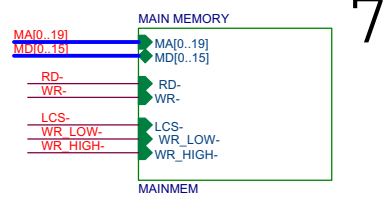
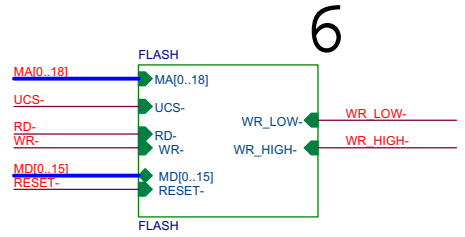
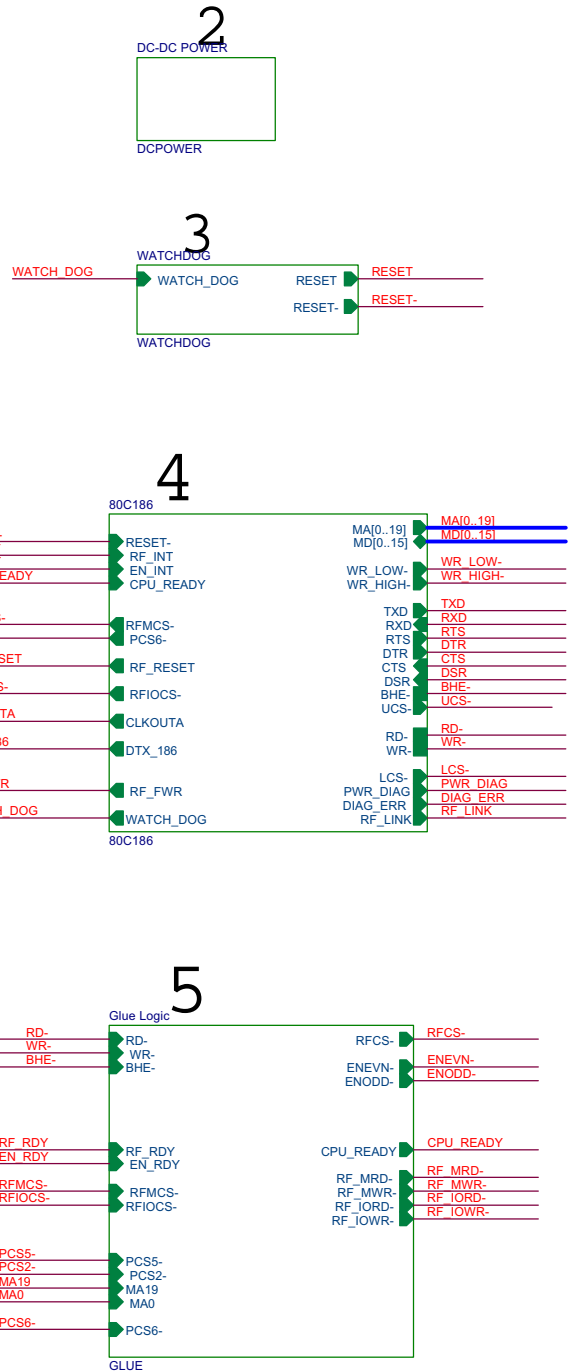
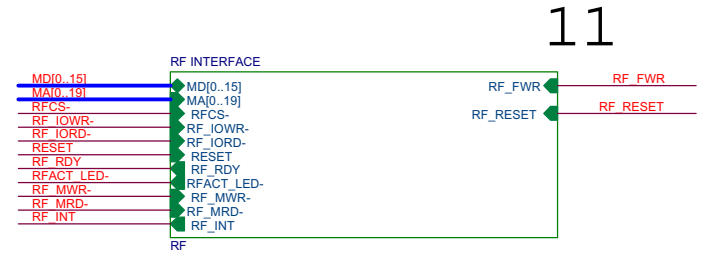
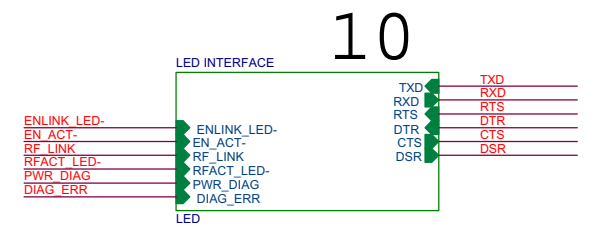


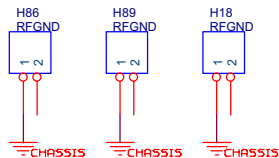
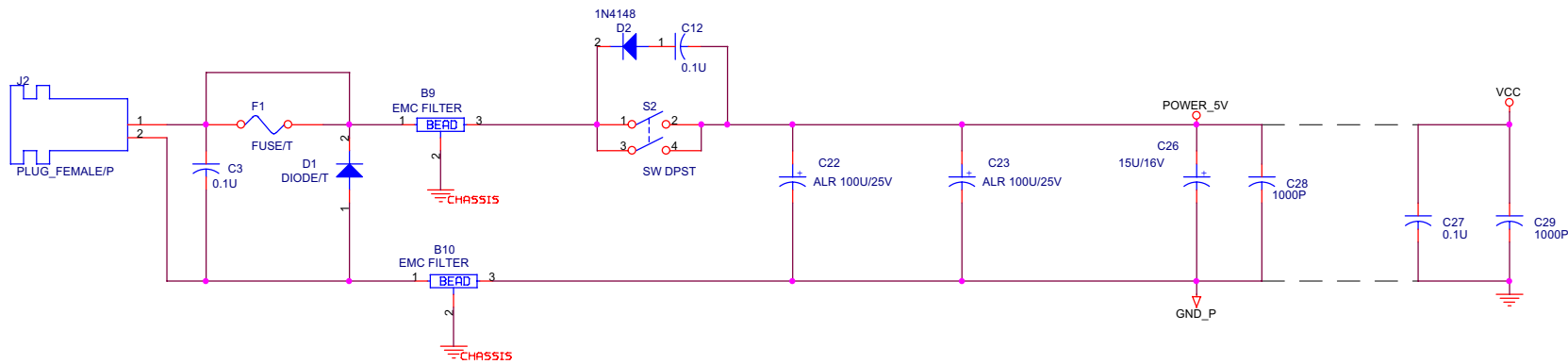
ECN NO.	REV.	DESCRIPTION	DATE	SIGN
	X1	NEW RELEASE		



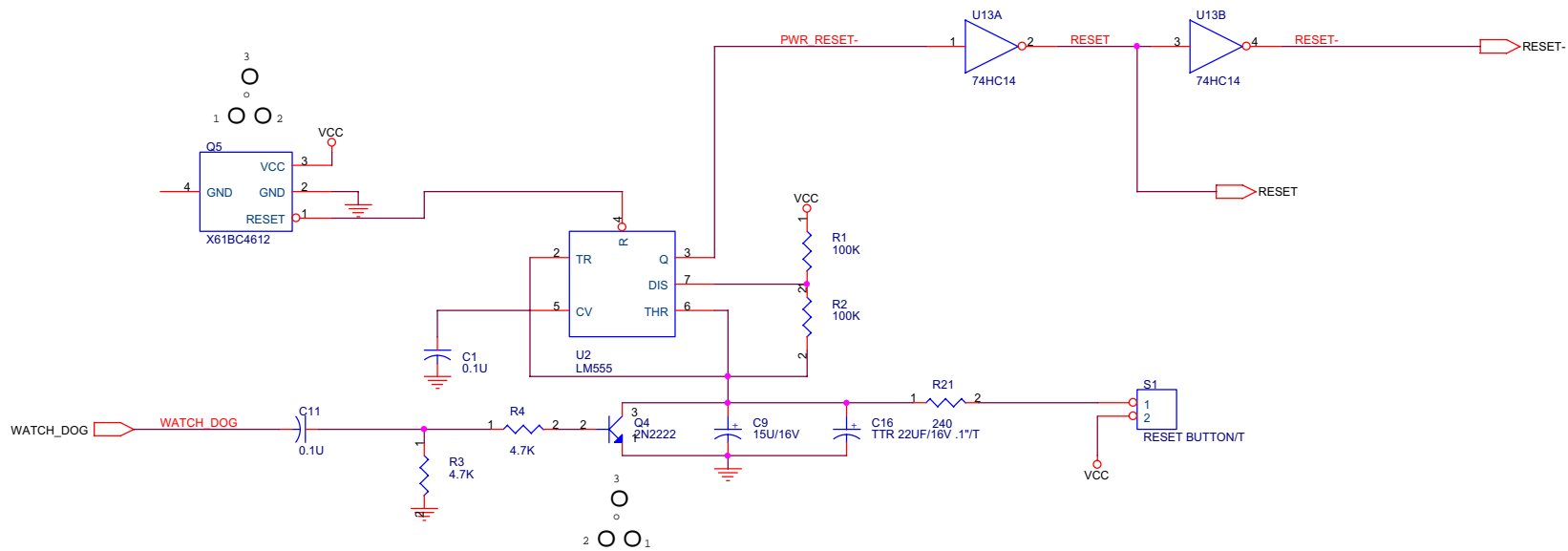
NOTE : Part value with /T
are not used in this
and sub schematic
files .

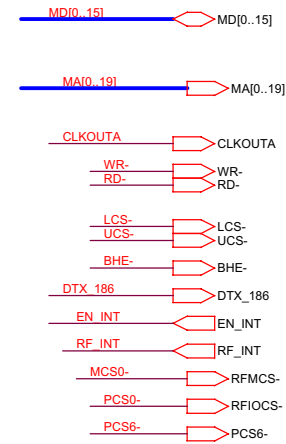
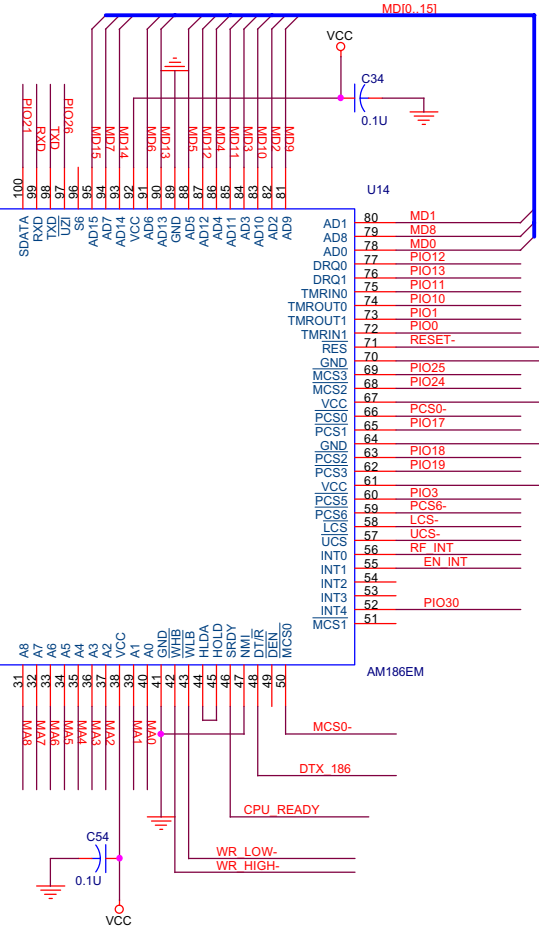
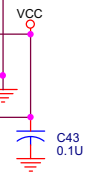
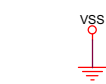
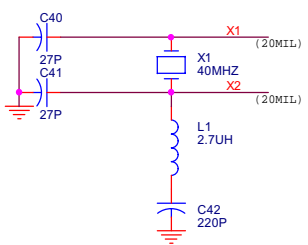
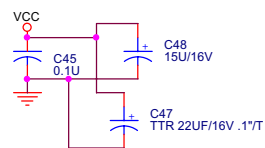
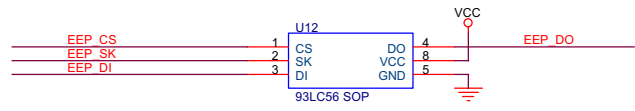


DESIGNED	DATE	NATIONAL DATACOMM CORPORATION		
CHECKED	DATE	Relative Wave 11M AP NWH660		
APPROVED	DATE	Title BLOCK DIAGRAM		
		Size B	Document Number 97-806600-23	Rev X1
Date: Monday, May 29, 2000		Sheet 1 of 11		



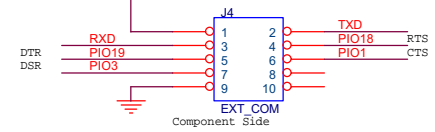
NATIONAL DATACOMM CORP		
RelayWare 11M AP NWH660		
Title DC-TO-DC POWER CIRCUIT		
Size B	Document Number 97-806600-23	Rev X1
Date: Monday, May 29, 2000	Sheet 2	of 11





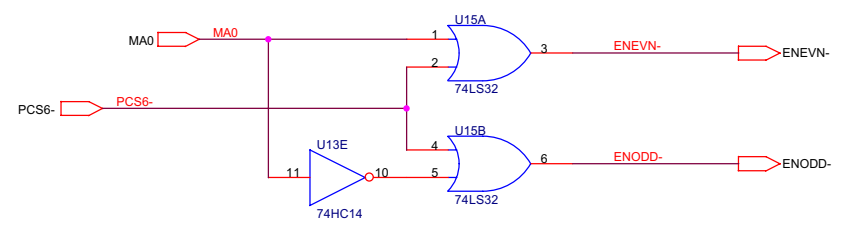
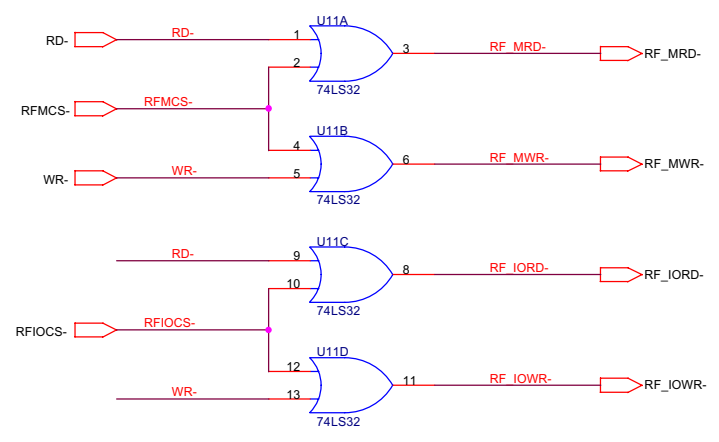
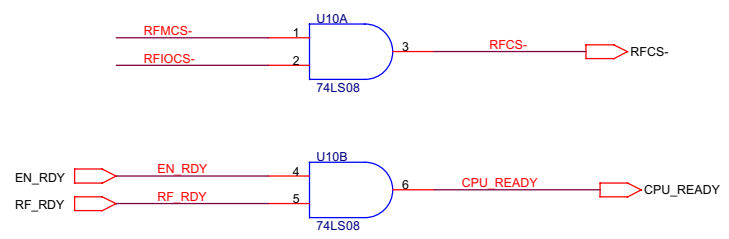
- (74) PIO23 EEP_CS
- (68) PIO24 EEP_SK
- (69) PIO25 EEP_DI
- (72) PIO0 EEP_DO

- (98) TXD TXD
- (99) RXD RXD
- (63) PIO18 RTS
- (62) PIO19 DTR
- (60) PIO3 CTS
- (60) PIO3 DSR
- (2) PIO22 PWR_DIAG
- (100) PIO21 DIAG_ERR
- (3) PIO20 RF_LINK
- (65) PIO17 WATCH_DOG
- (74) PIO10 RF_FWR
- (97) PIO26 RF_RESET

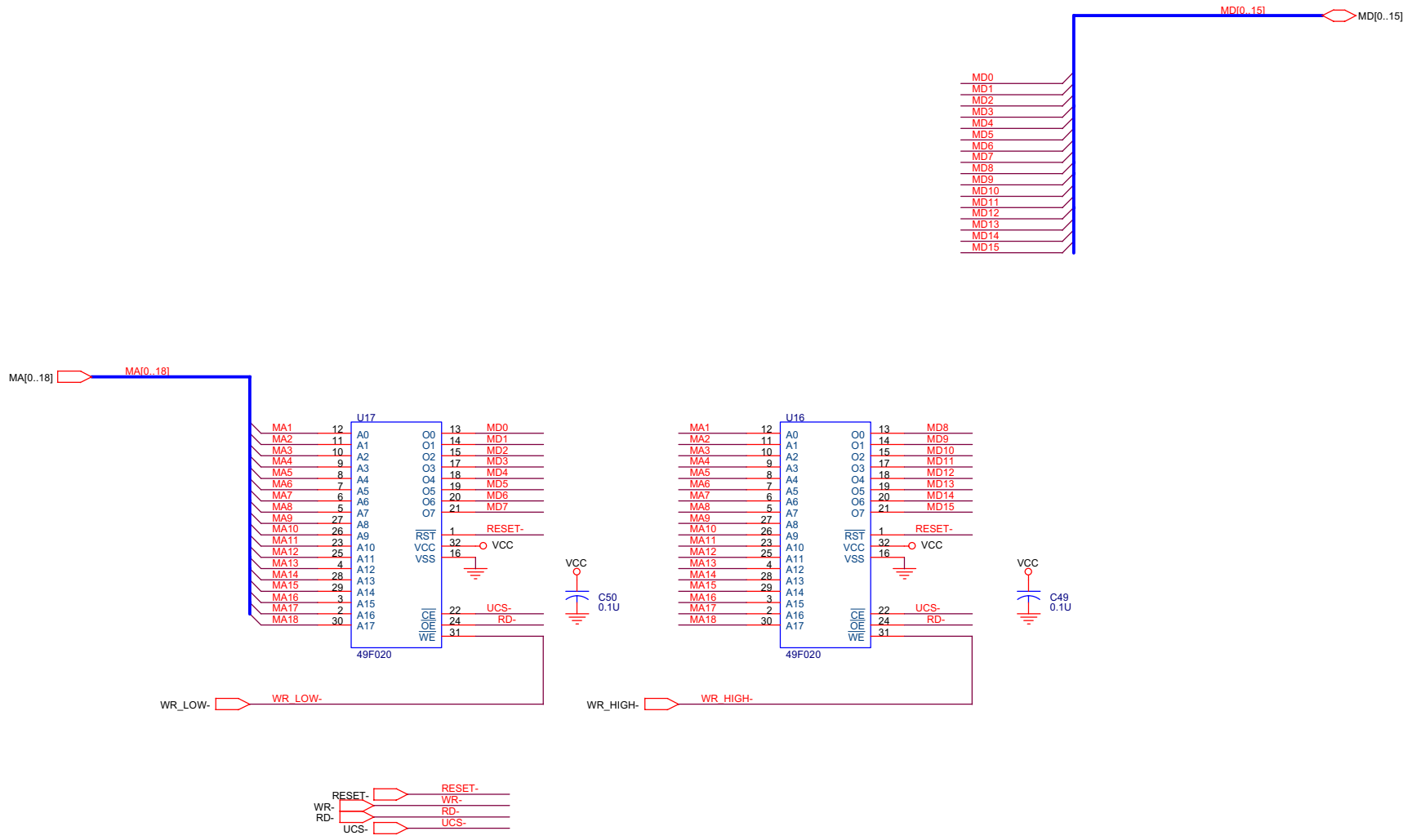


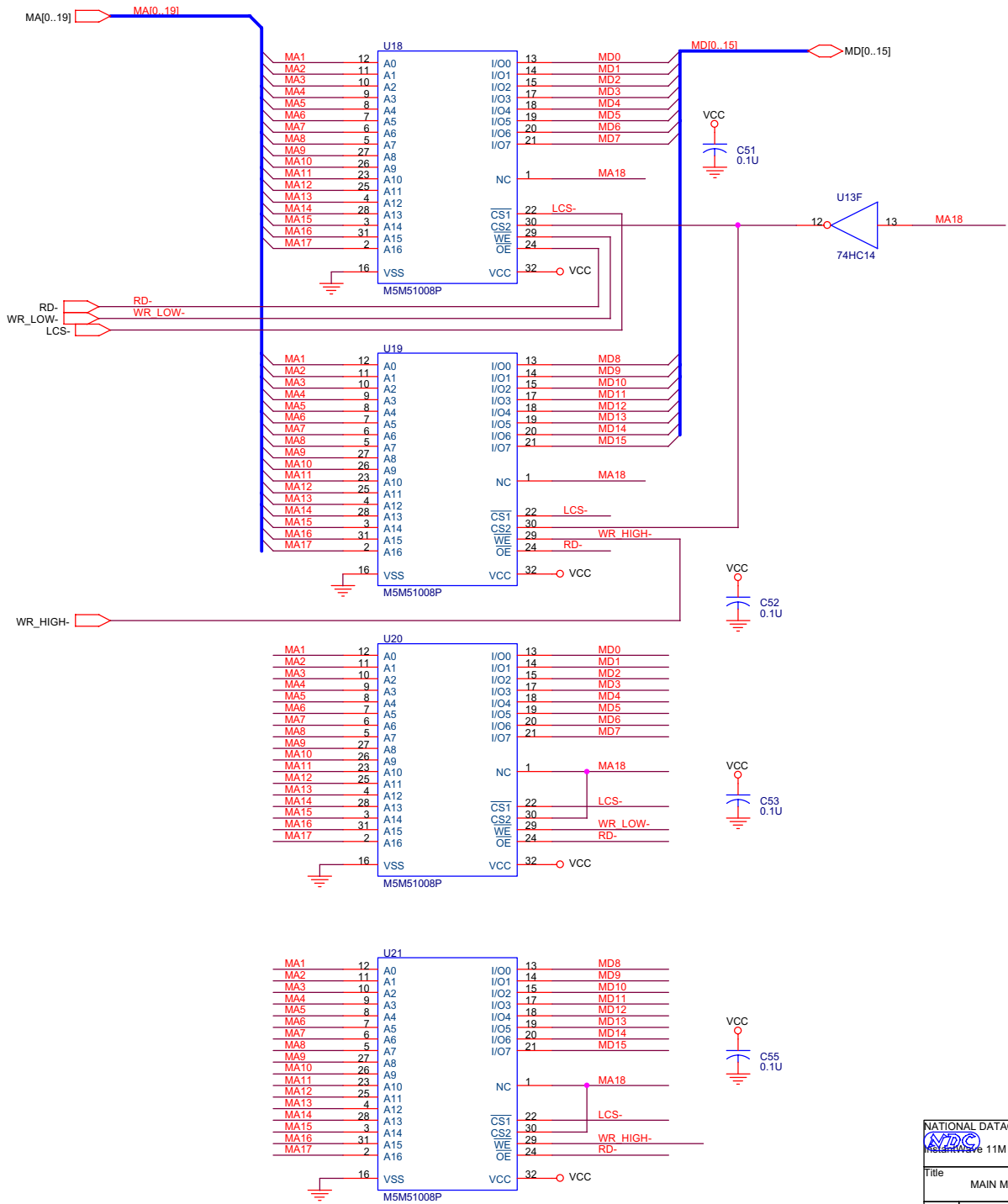
- LCS- : 0H - 3FFFFH RAMCS-
- MCS0- : 40000H - 4FFFFH RFMCS-
- UCS- : 80000H - FFFFFH ROMCS-
- PCS0- : 0H - FFH RFI0CS-
- PCS6- : 600H - 6FFH ENCS-
- INT0 : RF Module INTERRUPT
- INT1 : ETHERNET INTERRUPT

NATIONAL DATACOMM CORP.			
InstantWave 11M AP NWH660			
Title CPU AM186EM-40			
Size B	Document Number 97-806600-23	Rev X1	
Date: Monday, May 29, 2000	Sheet 4	of 11	

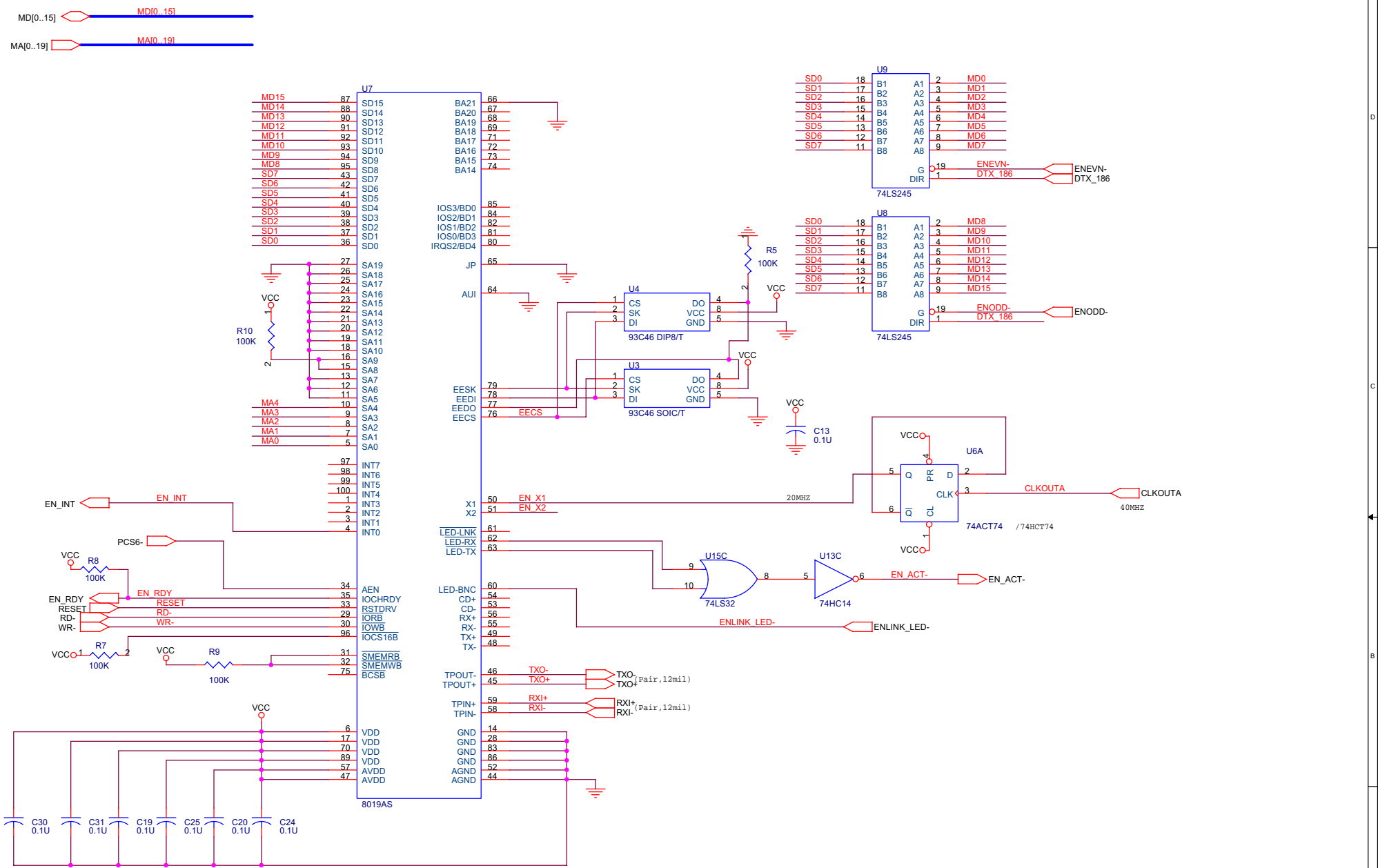


NATIONAL DATACOMM CORP.		
RelayWare 11M AP NWH660		
Title: Glue Logic		
Size B	Document Number 97-806600-23	Rev X1
Date: Monday, May 29, 2000	Sheet 5 of 11	

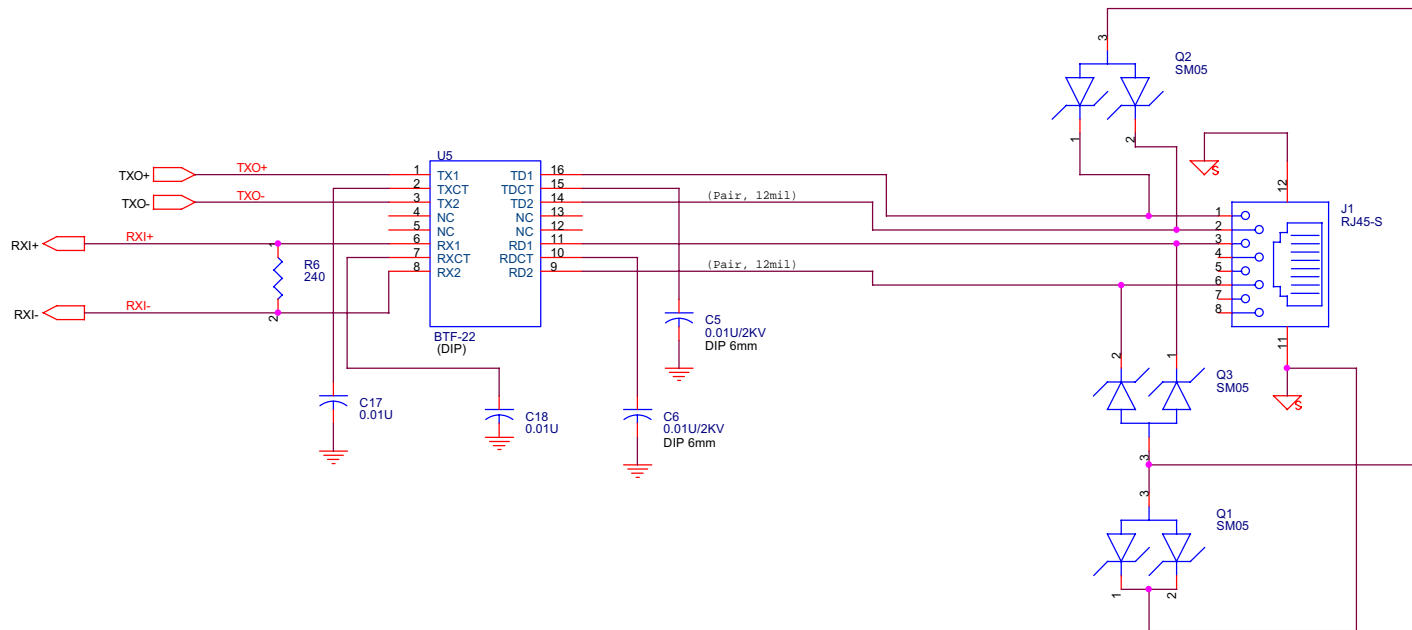




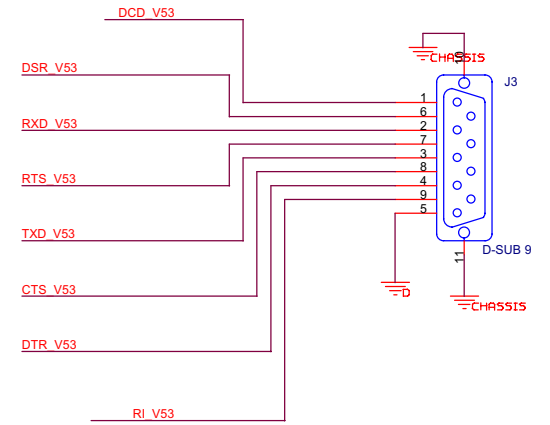
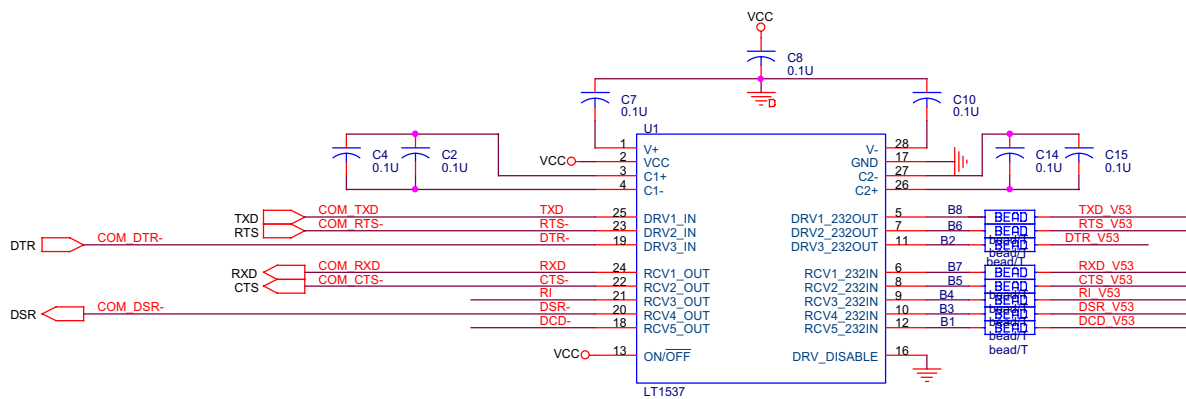
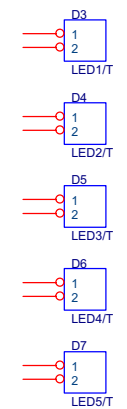
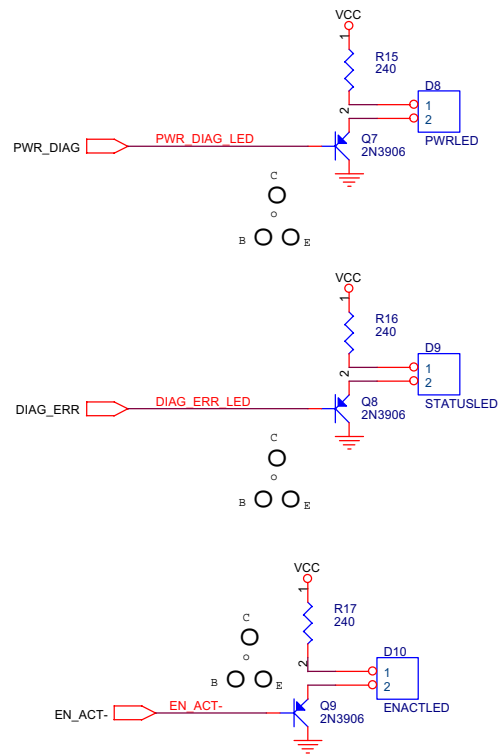
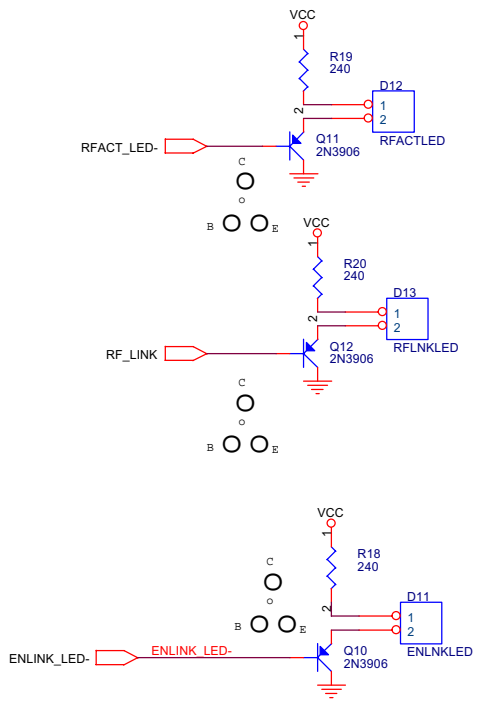
NATIONAL DATACOMM CORP.			
RelataWave 11M AP NWH660			
Title MAIN MEMORY			
Size B	Document Number 97-806600-23	Rev X1	
Date: Monday, May 29, 2000	Sheet 7 of 11		

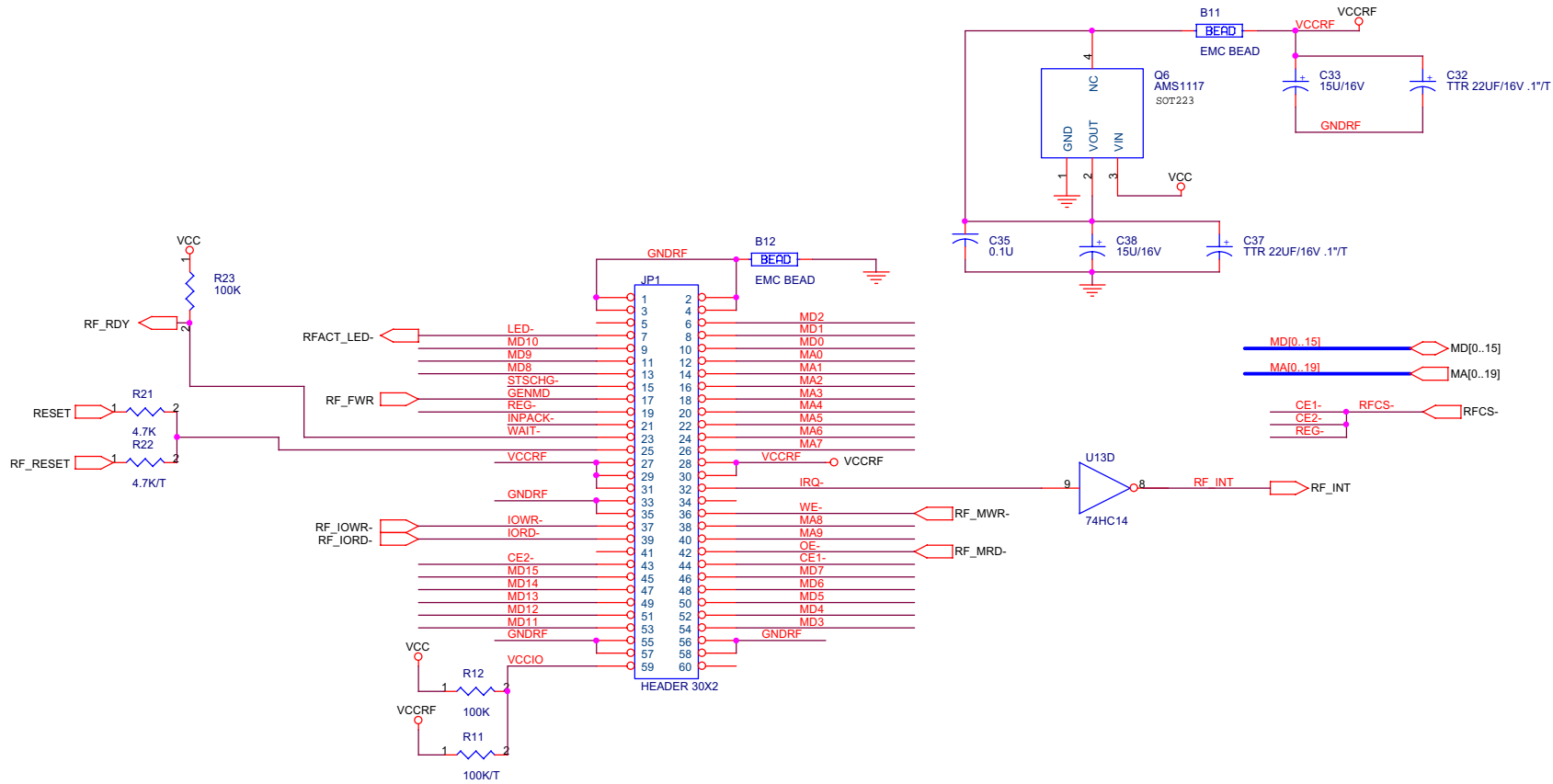


NATIONAL DATACOMM CORPORATION		
RelayWave 11M AP NWH660		
Title 8019AS Ethernet Controller		
Size B	Document Number 97-806600-23	Rev X1
Date: Monday, May 29, 2000	Sheet 8	of 11



NATIONAL DATACOMM CORPORATION			
RelayWare 11M AP NWH660			
Title TWISTED PAIR CIRCUIT			
Size B	Document Number 97-806600-23	Rev X1	
Date: Monday, May 29, 2000	Sheet 9	of 11	2





NATIONAL DATACOMM CORPORATION		
InstantWave 11M AP NWH660		
Title Radio Interface		
Size B	Document Number 97-806600-23	Rev X1
Date: Monday, May 29, 2000	Sheet 11 of 11	