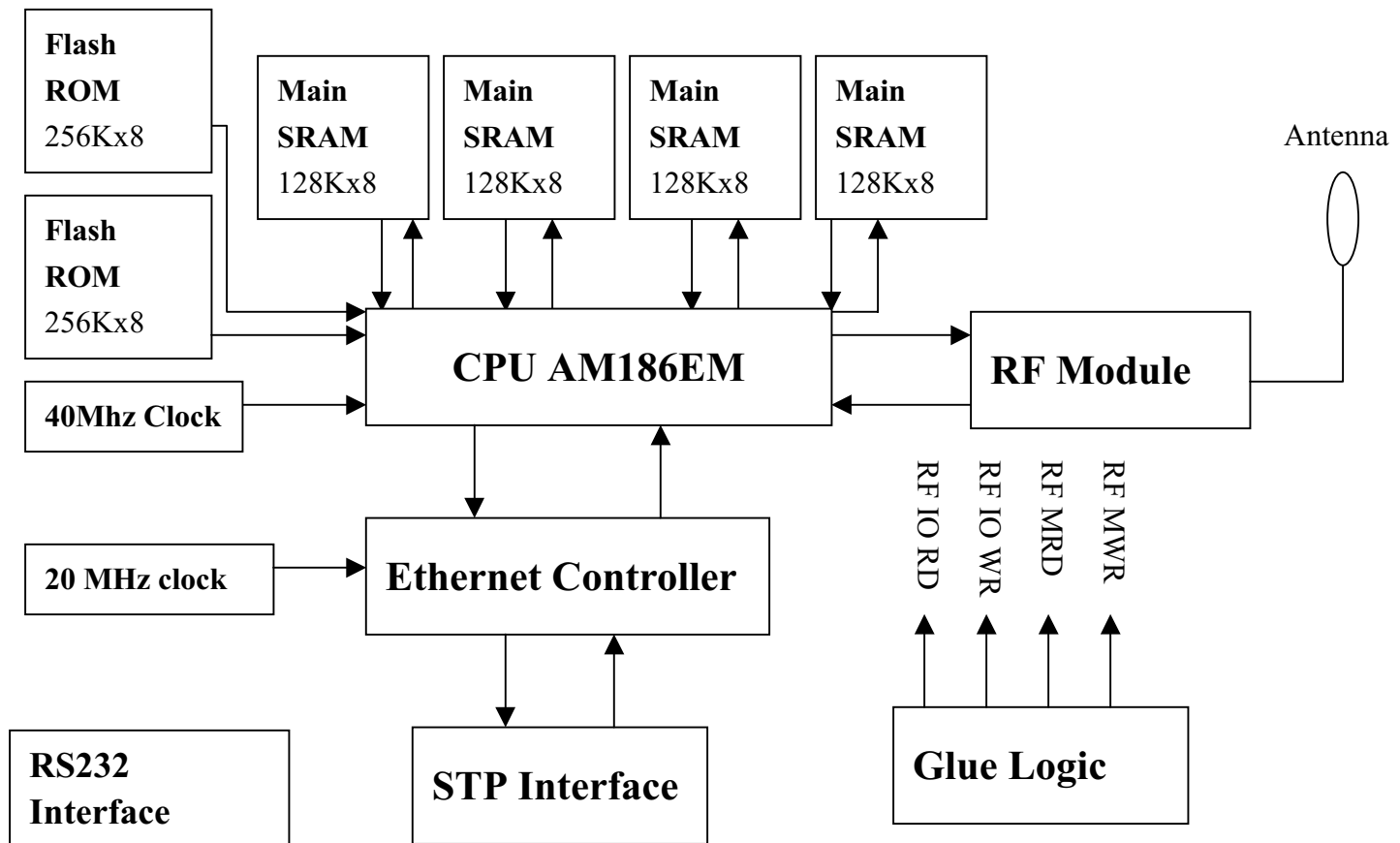


Block Diagram



Block Description

1. CPU AM186EM

It is the controller processor unit which is the brain of overall system to executive firmware and features.

2. Flash ROM

The Flash memory pool is to store the POST firmware and MAC code.

3. Main SRAM 128Kx8

Main memory in system is used to store the random data.

4. Ethernet Controller

Ethernet network controller executes the 10Base Ethernet function.

5. 20MHz clock

20Mhz-frequency source supports the Ethernet controller.

6. STP Interface

Ethernet shielded twisted pair interface .

7. Glue Logic

Glue logic component implements the glue logic.

8. 40Mhz Clock

40MHz-frequency clock source generates the timing for overall system.

9. RF Module

Radio front-end card to support the 2.4G FHSS modulation signal

10. RS232 Interface

RS232 Female D-type 9-pin connector.