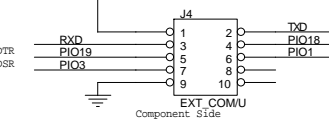


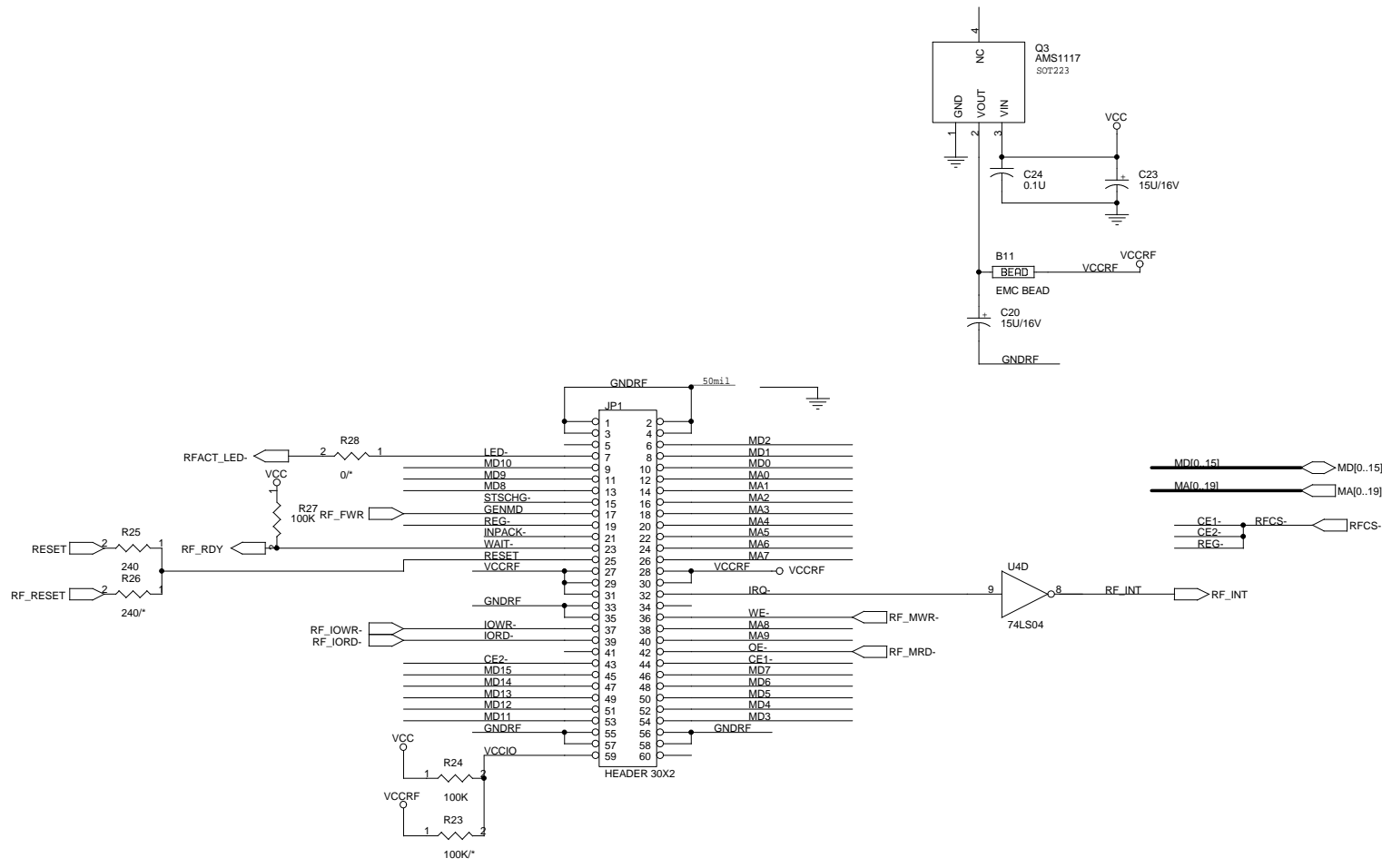
- (74) P1023 EEP_CS
- (68) P1024 EEP_SK
- (69) P1025 EEP_DI
- (72) P100 EEP_DO

- (98) TXD TXD
- (99) RXD RXD
- (63) P1018 RTS
- (62) P1019 DTR
- (73) P101 CTS
- (60) P103 DSR

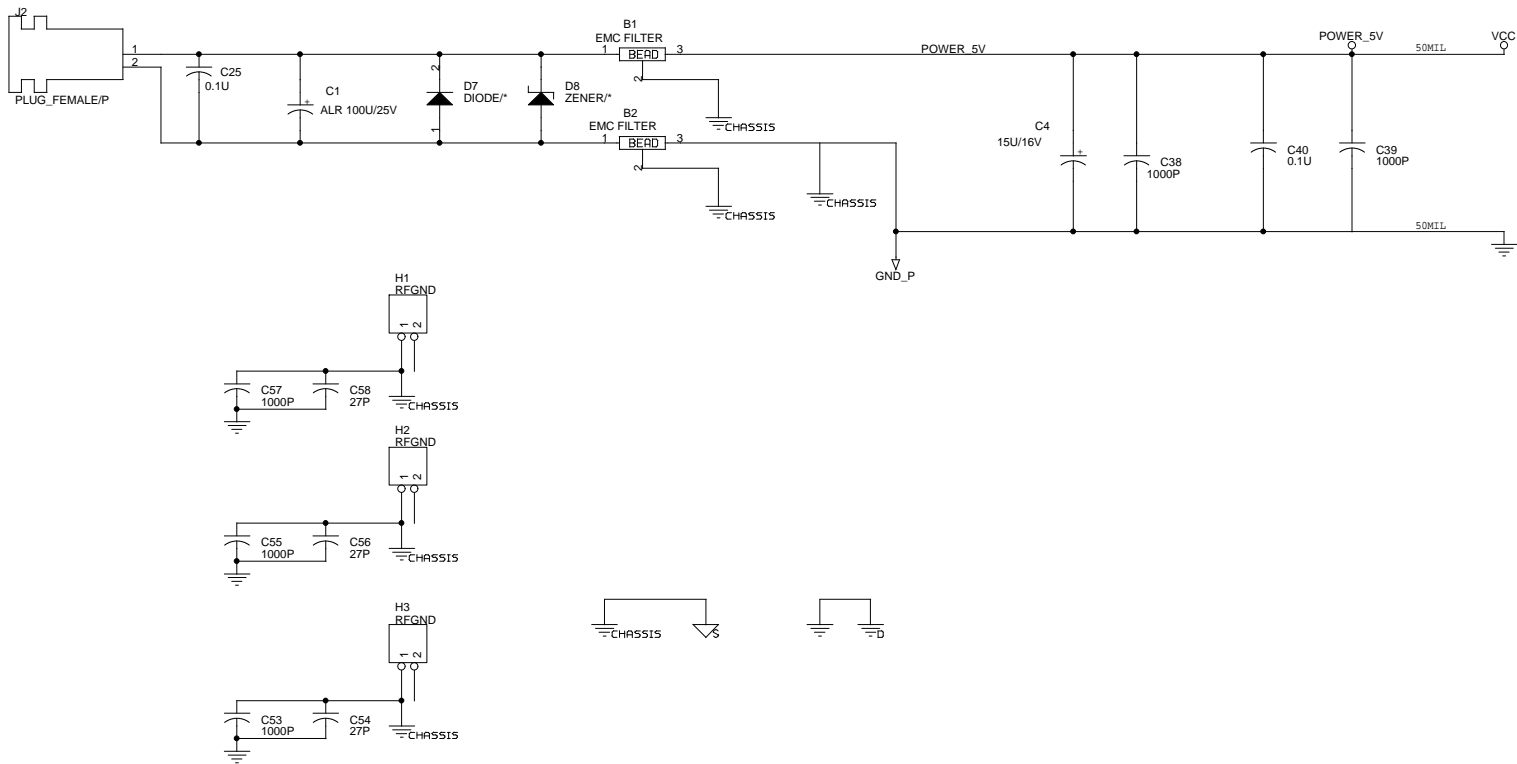
- (2) P1022 PWR_DIAG
- (100) P1021 DIAG_ERR
- (3) P1020 RF_LINK
- (65) P1017 WATCH_DOG
- (74) P1010 RF_FWR
- P1026 RF_RESET



LCS- : 0H - 3FFFFH RAMCS-
 MCS0- : 40000H - 4FFFFH RFMCS-
 UCS- : 80000H - FFFFFH ROMCS-
 PCS0- : 0H - FFH RFI0CS-
 PCS6- : 600H - 6FFH ENCS-
 INTO : RF Module INTERRUPT
 INT1 : ENETHERNET INTERRUPT



NATIONAL DATACOMM CORPORATION		
NetBlaster NCP600 & SB AP(NWH650)		
Title Radio Interface		
Size	Document Number	Rev
Custom#97-806000-08		A1
Date:	Wednesday, June 14, 2000	Sheet 11 of 11



NATIONAL DATACOMM CORP
 NetBlaster NCP600 & SB AP(NWH650)

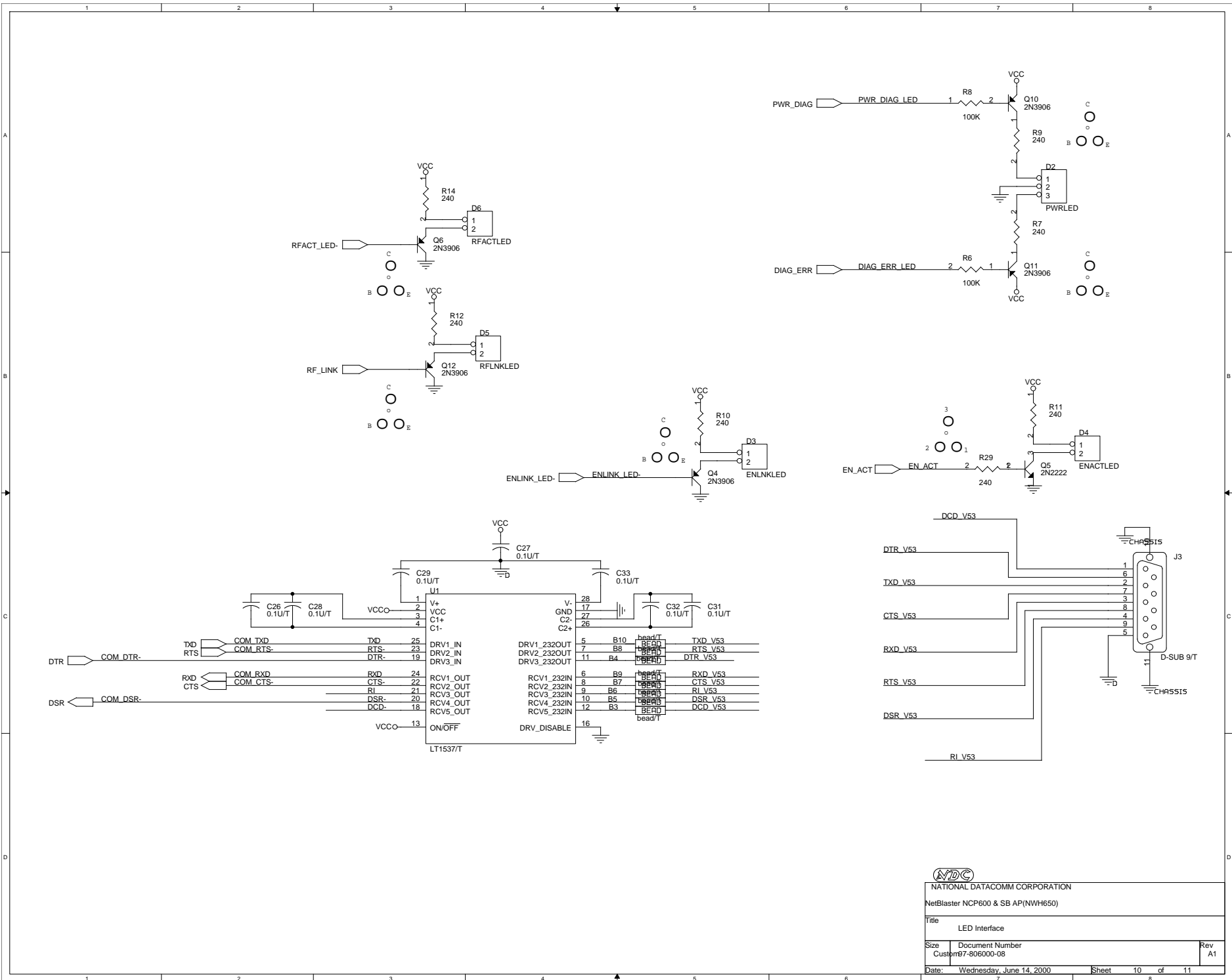
Title
 DC-TO-DC POWER CIRCUIT

Size Document Number
 Custom97-806000-08

Rev
 A1

Date: Wednesday, June 14, 2000

Sheet 2 of 11



NATIONAL DATACOMM CORPORATION
 NetBlaster NCP600 & SB AP (NWH650)

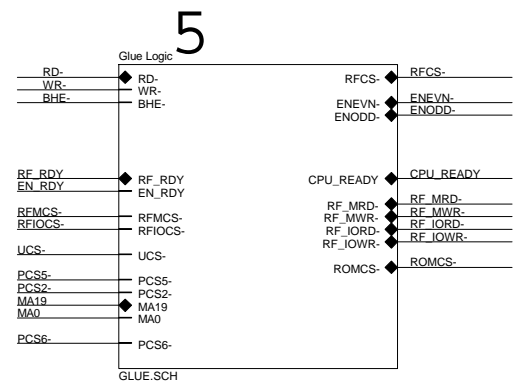
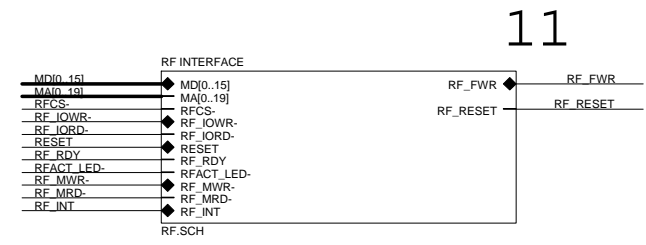
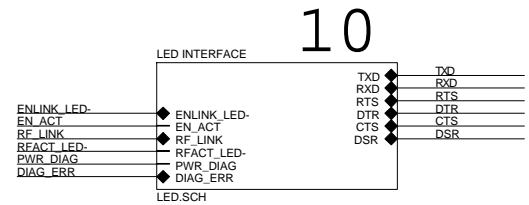
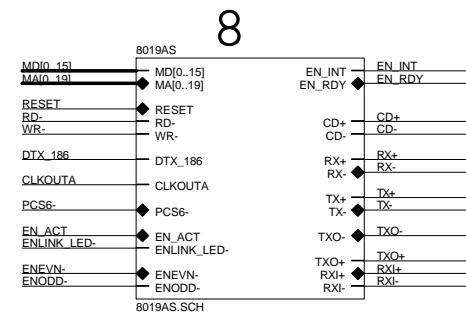
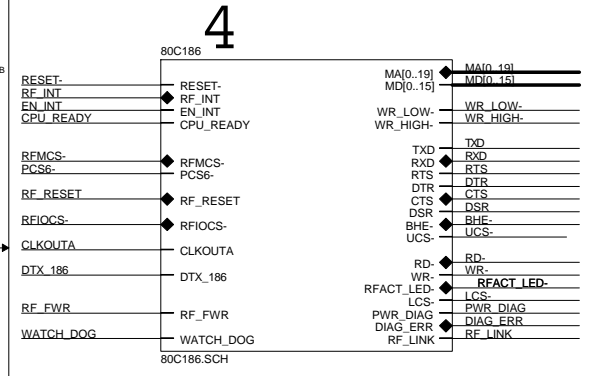
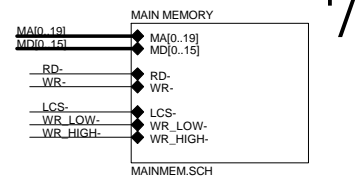
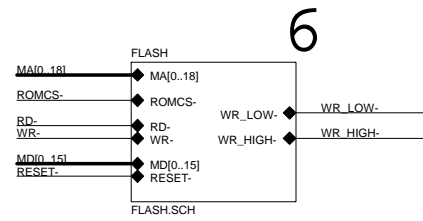
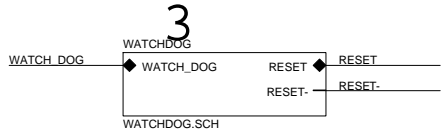
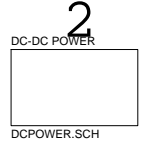
Title
 LED Interface

Size Document Number
 Custom#97-806000-08

Rev
 A1

Date: Wednesday, June 14, 2000 Sheet 10 of 11

ECN NO.	REV.	DESCRIPTION	DATE	SIGN
	X1	NEW RELEASE		



NOTE : Part value with /T are not used in NCP600
Part value with /U are not used in NWH650
Part value with /* are not used in NWH650 & NCP600

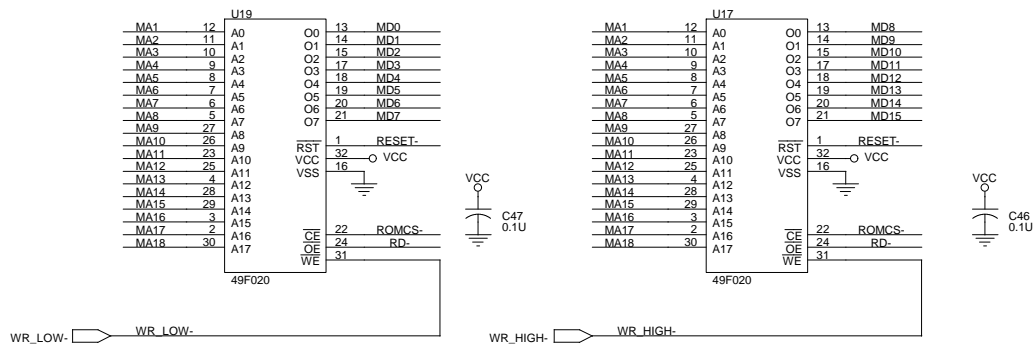
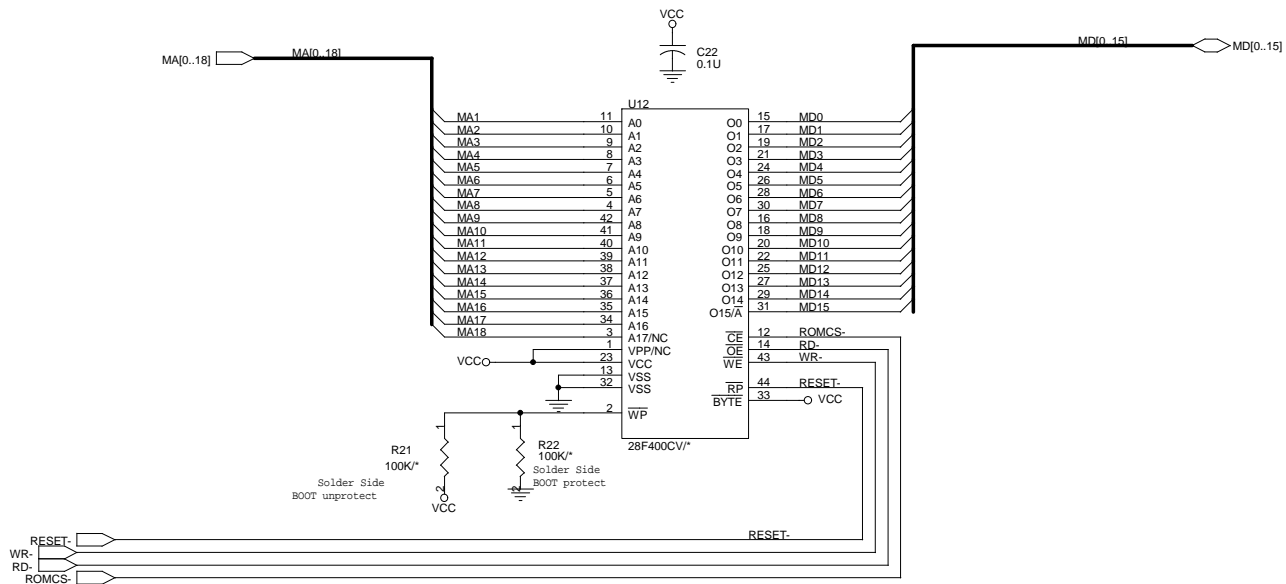
DESIGNED	DATE
CHECKED	DATE
APPROVED	DATE



NATIONAL DATACOMM CORPORATION
NetBlaster(NCP600) & SB AP(NWH650)

Title
BLOCK DIAGRAM

Size Document Number Rev
Custom#97-806000-08 A1



NATIONAL DATACOMM CORP.

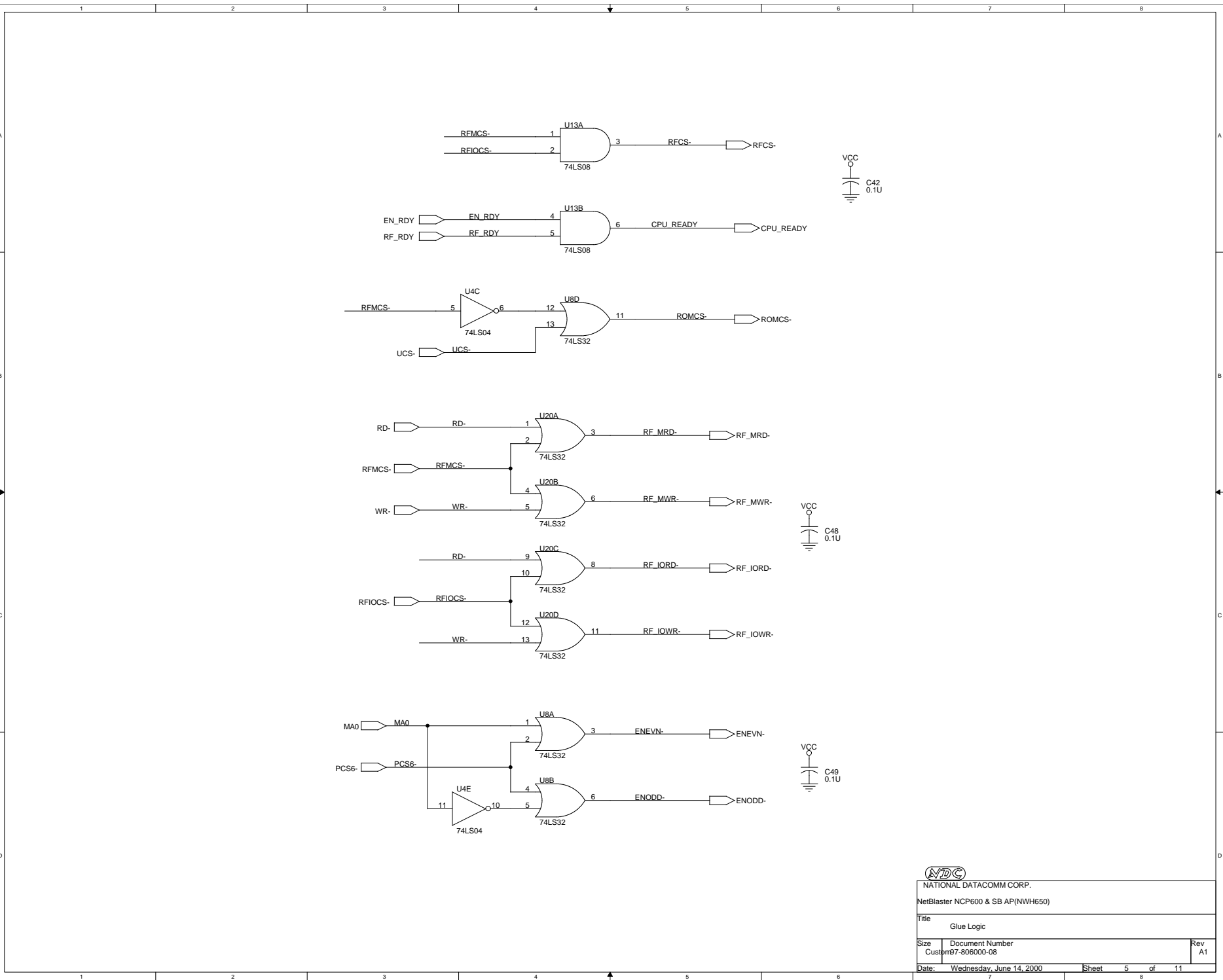
NetBlaster NCP600 & SB AP(NWH650)

Title
FLASH RAM

Size Document Number
Custom#97-806000-08

Rev
A1

Date: Wednesday, June 14, 2000 Sheet 6 of 11



NATIONAL DATACOMM CORP.

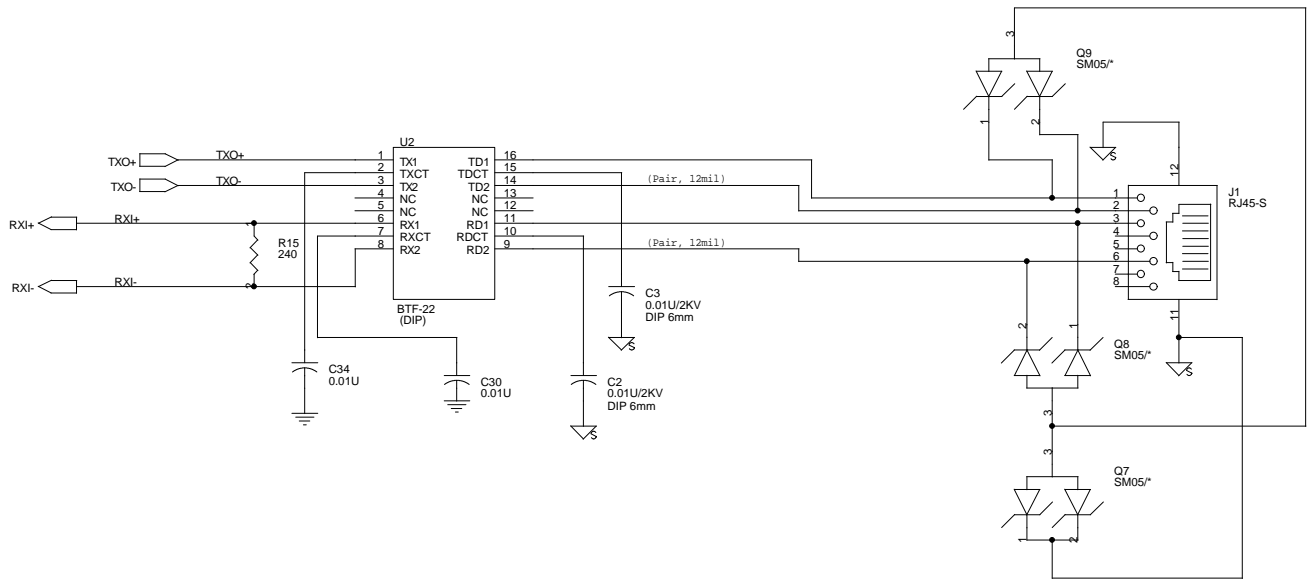
NetBlaster NCP600 & SB AP(NWH650)

Title
Glue Logic

Size Document Number
Custom#97-806000-08

Rev
A1

Date: Wednesday, June 14, 2000 Sheet 5 of 11



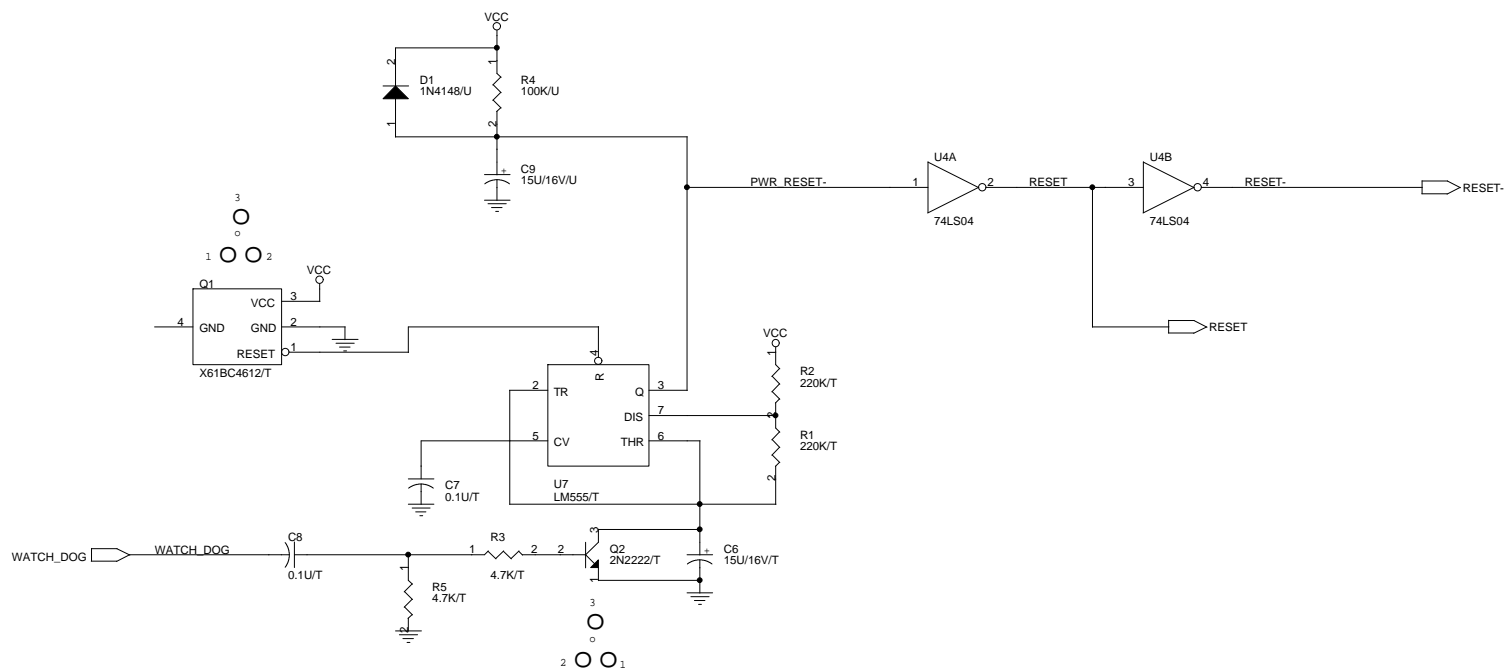
NATIONAL DATACOMM CORPORATION
 NetBlaster NCP600 & SB AP(NWH650)

Title
 TWISTED PAIR CIRCUIT

Size Document Number
 Custom97-806000-08

Rev
 A1

Date: Wednesday, June 14, 2000 Sheet 9 of 11



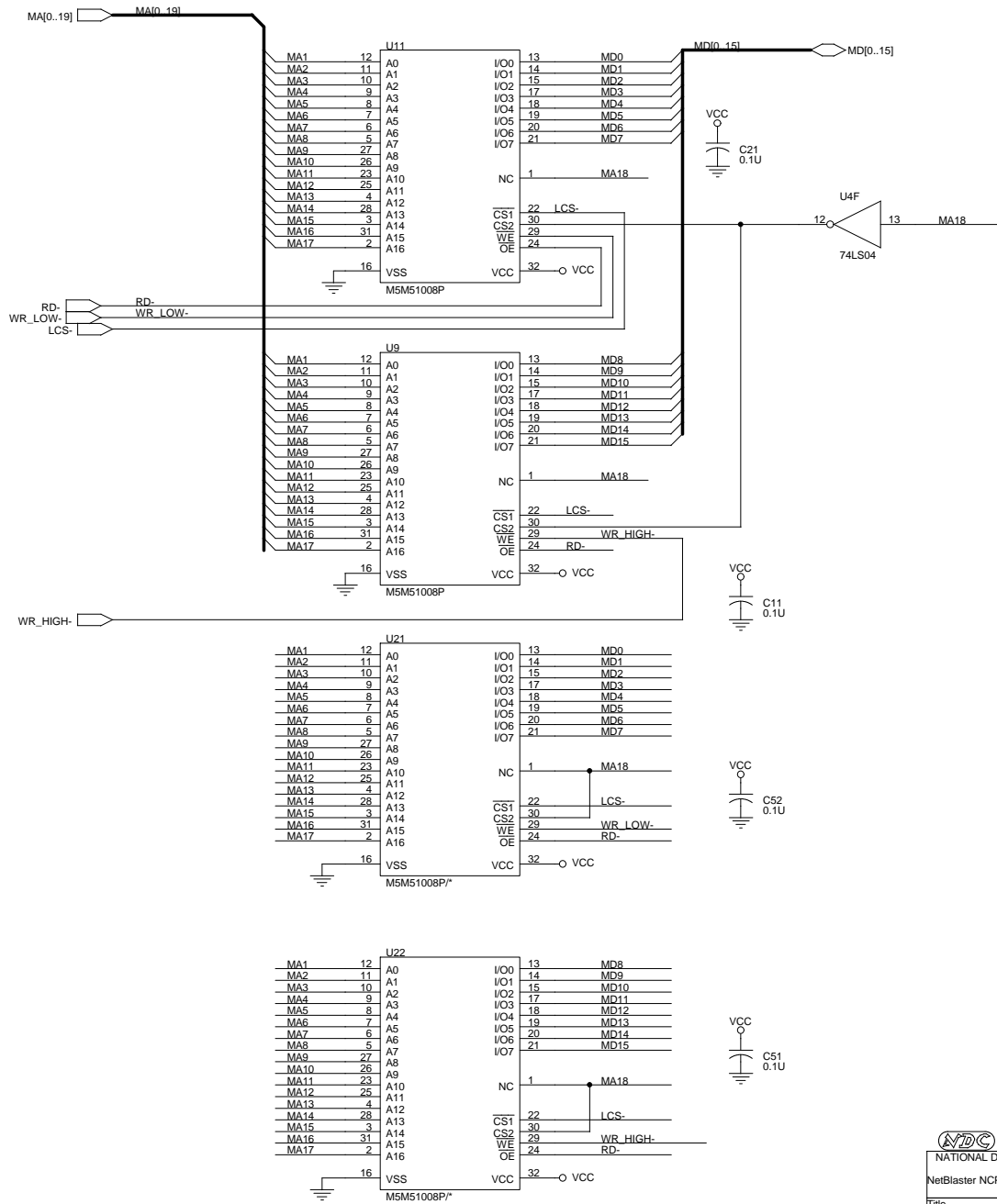
NATIONAL DATACOMM CORP.
NetBlaster NCP600 & SB AP(NWH650)

Title: WATCH DOG & RESET INTERFACE

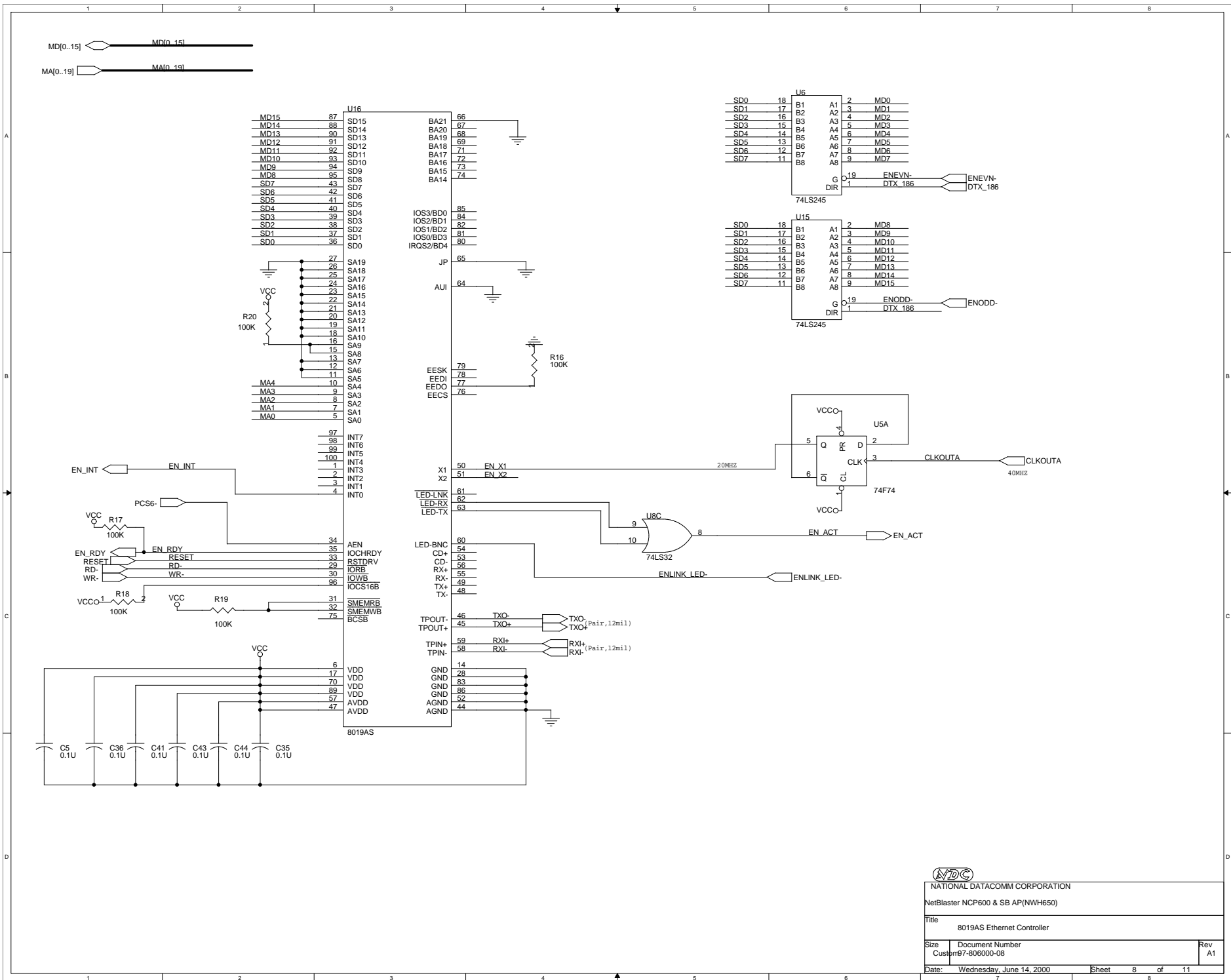
Size: Document Number
Custom: 97-806000-08

Rev
A1

Date: Wednesday, June 14, 2000 Sheet 3 of 11



NATIONAL DATACOMM CORP.		
NetBlaster NCP600 & SB AP(NWH650)		
Title MAIN MEMORY		
Size	Document Number	Rev
Custom#97-806600-08		A1
Date:	Wednesday, June 14, 2000	Sheet 7 of 11



NATIONAL DATACOMM CORPORATION

NetBlaster NCP600 & SB AP(NWH650)

Title
8019AS Ethernet Controller

Size Document Number
Custom#97-806000-08

Rev
A1

Date: Wednesday, June 14, 2000 Sheet 8 of 11