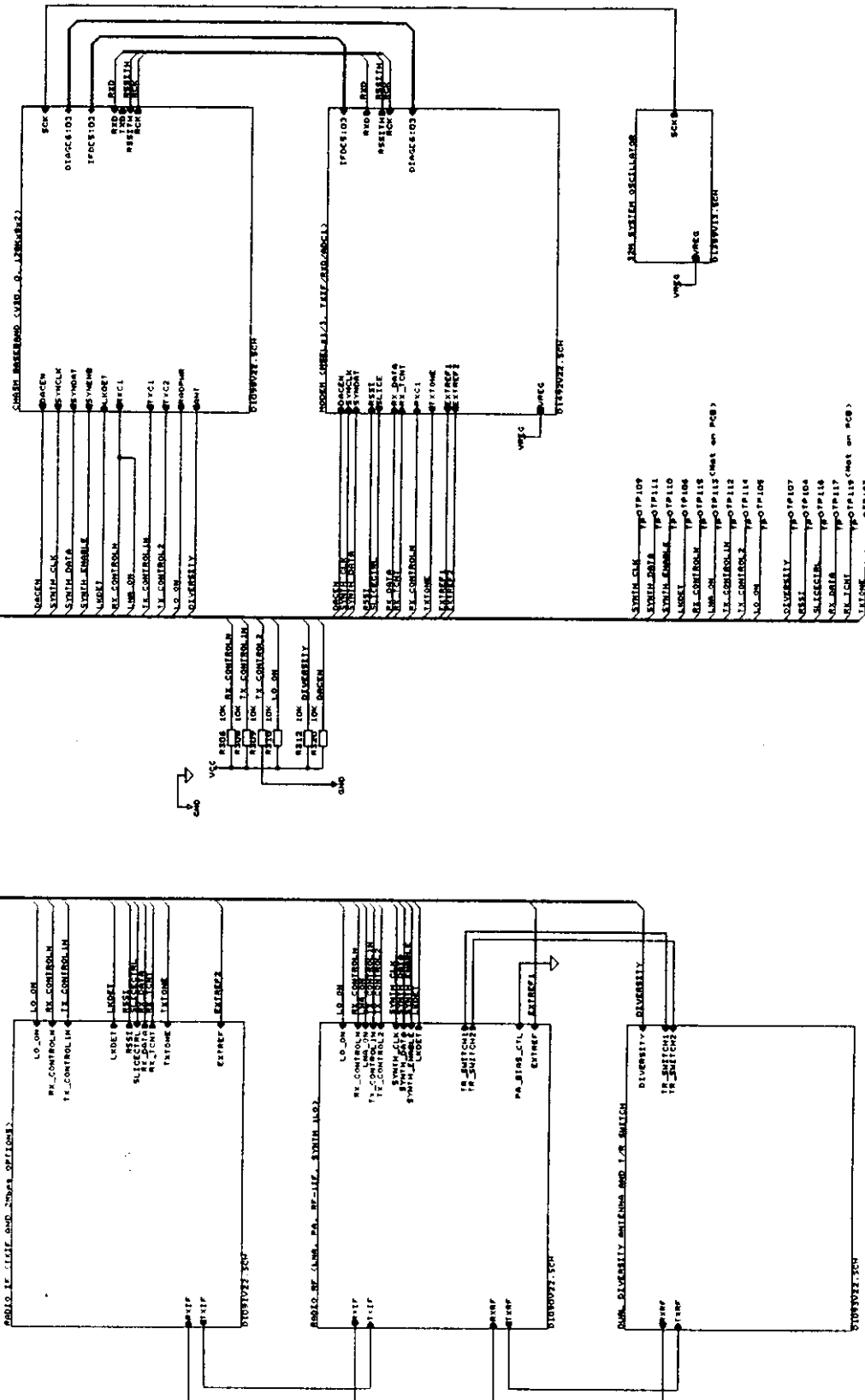


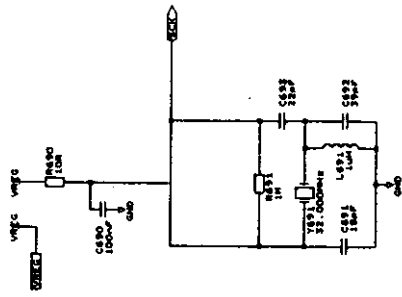
CIRCUIT DIAGRAM

FCC ID. No.:IOU0610S01

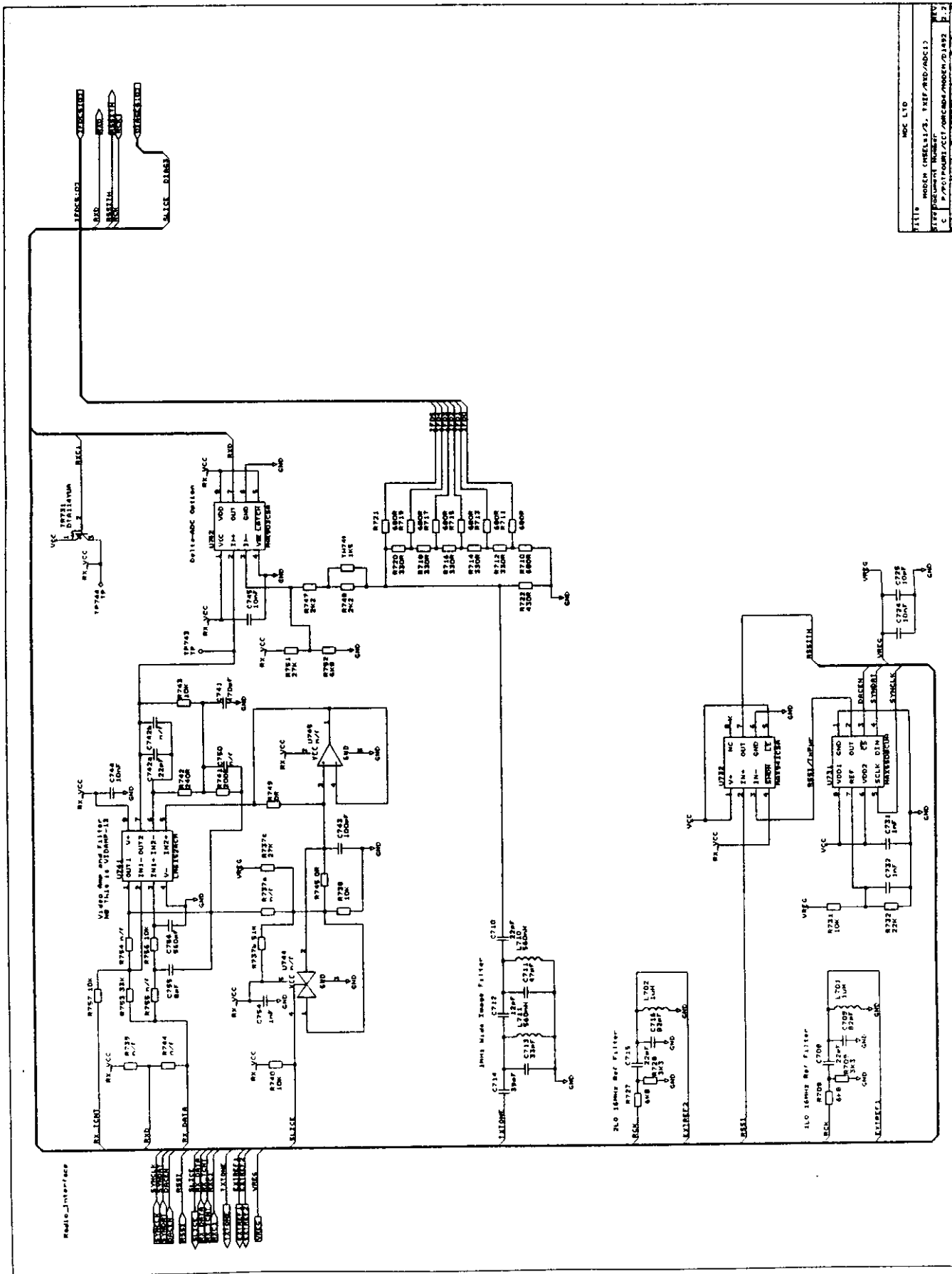
Master\_Base\_Control



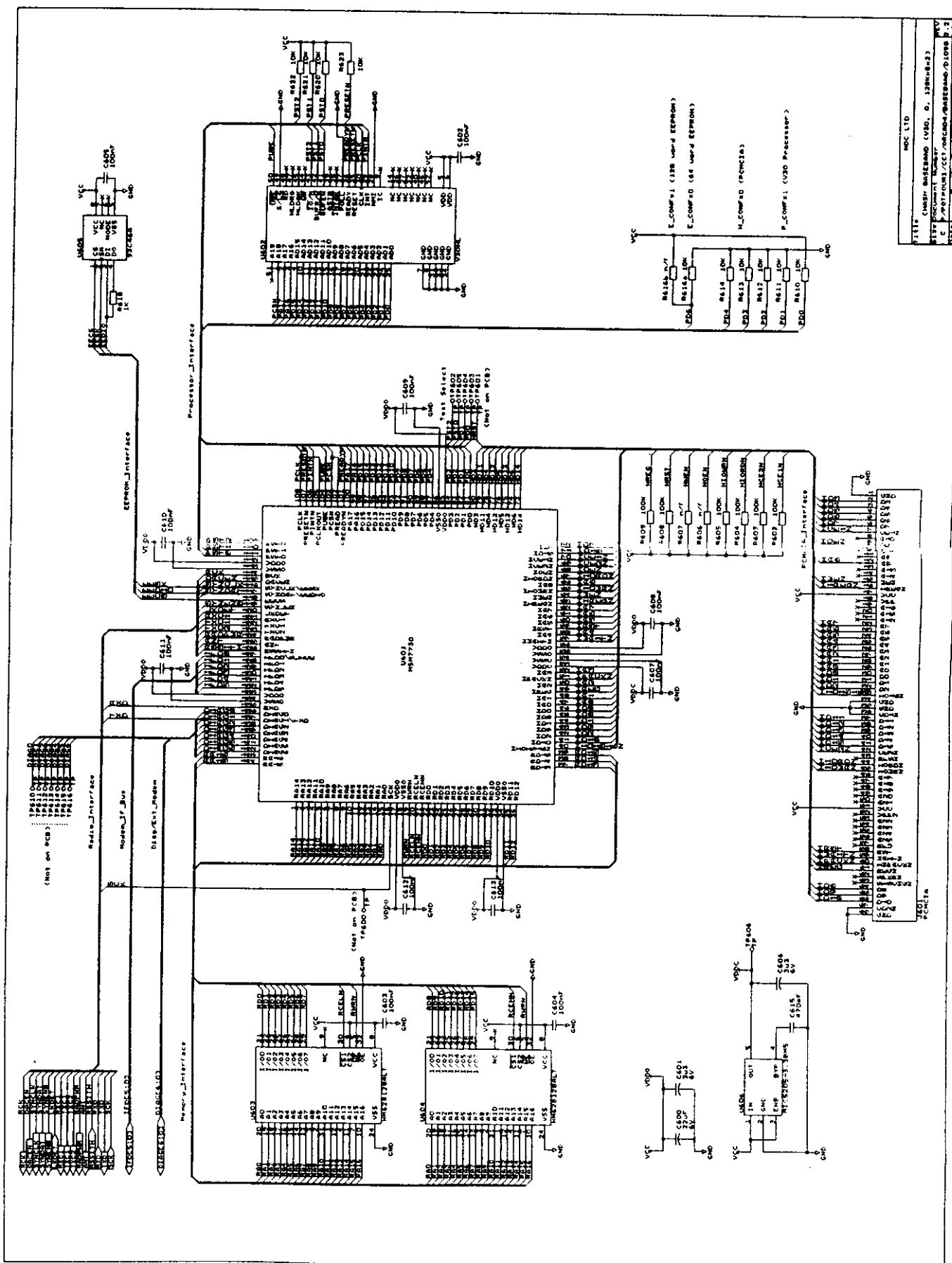
TITLE: MOC LTD  
 DRAWN: MOC LTD  
 CHECKED: MOC LTD  
 DATE: 1984.11.15



FILE	800 LTD
PROJECT	200 SYSTEM OSCILLATOR
DATE	1980/01/10
DESIGNER	P. JOHNSON/CCI/MSCAD/MS10-0139
DATE	1980/01/10

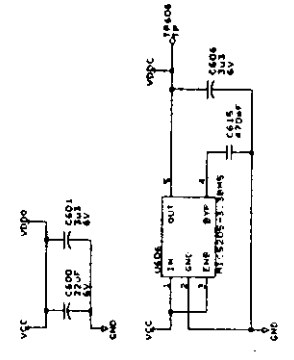
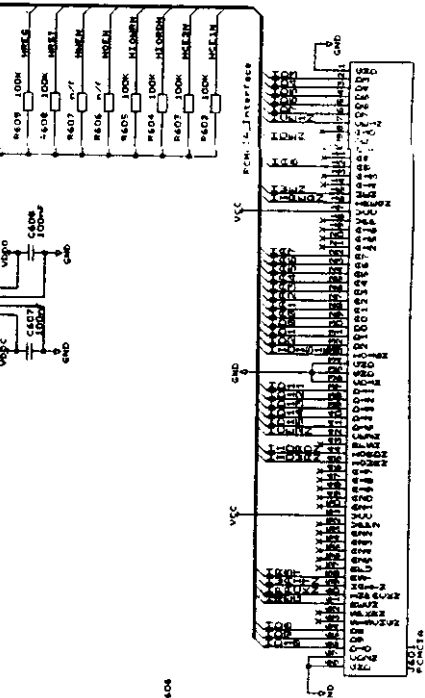
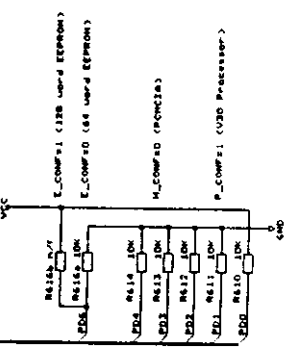


TITLE: MODERN CHEMISTS, TRIP/PROJ/ADC12  
 DESIGNED BY: [blank]  
 CHECKED BY: [blank]  
 DATE: [blank]  
 REVISION: [blank]  
 DRAWN BY: [blank]  
 FILE: [blank]  
 SHEET: [blank]  
 TOTAL SHEETS: [blank]



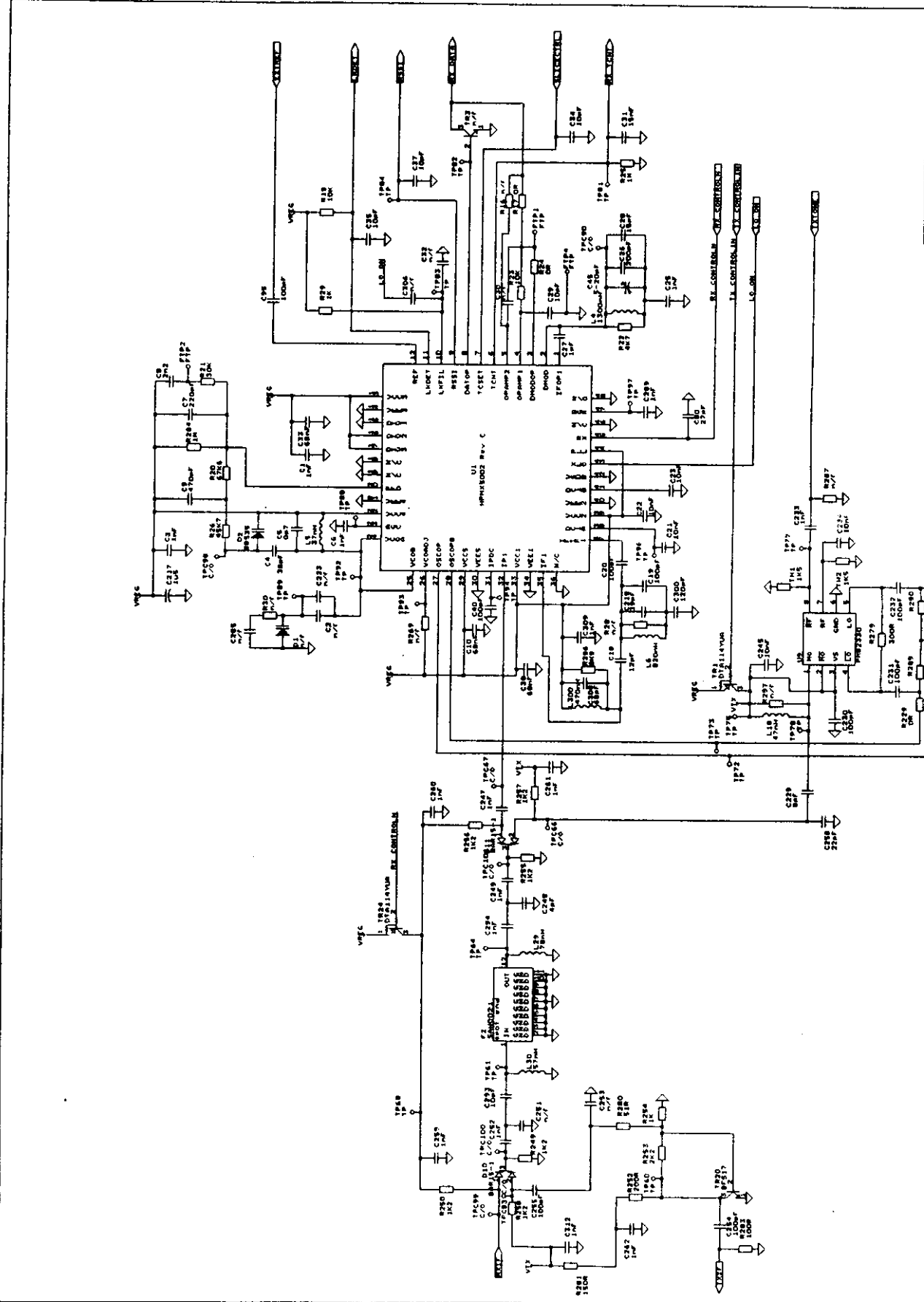
TITLE: CASHM BASEBOARD (VSD, 0, 128Kx813)  
 REV: 001  
 C: P:\PC\PC001\CC1\PC0004\MASER\B01.DWG  
 DATE: 11-18-93  
 VSD: 0

MOC LTD

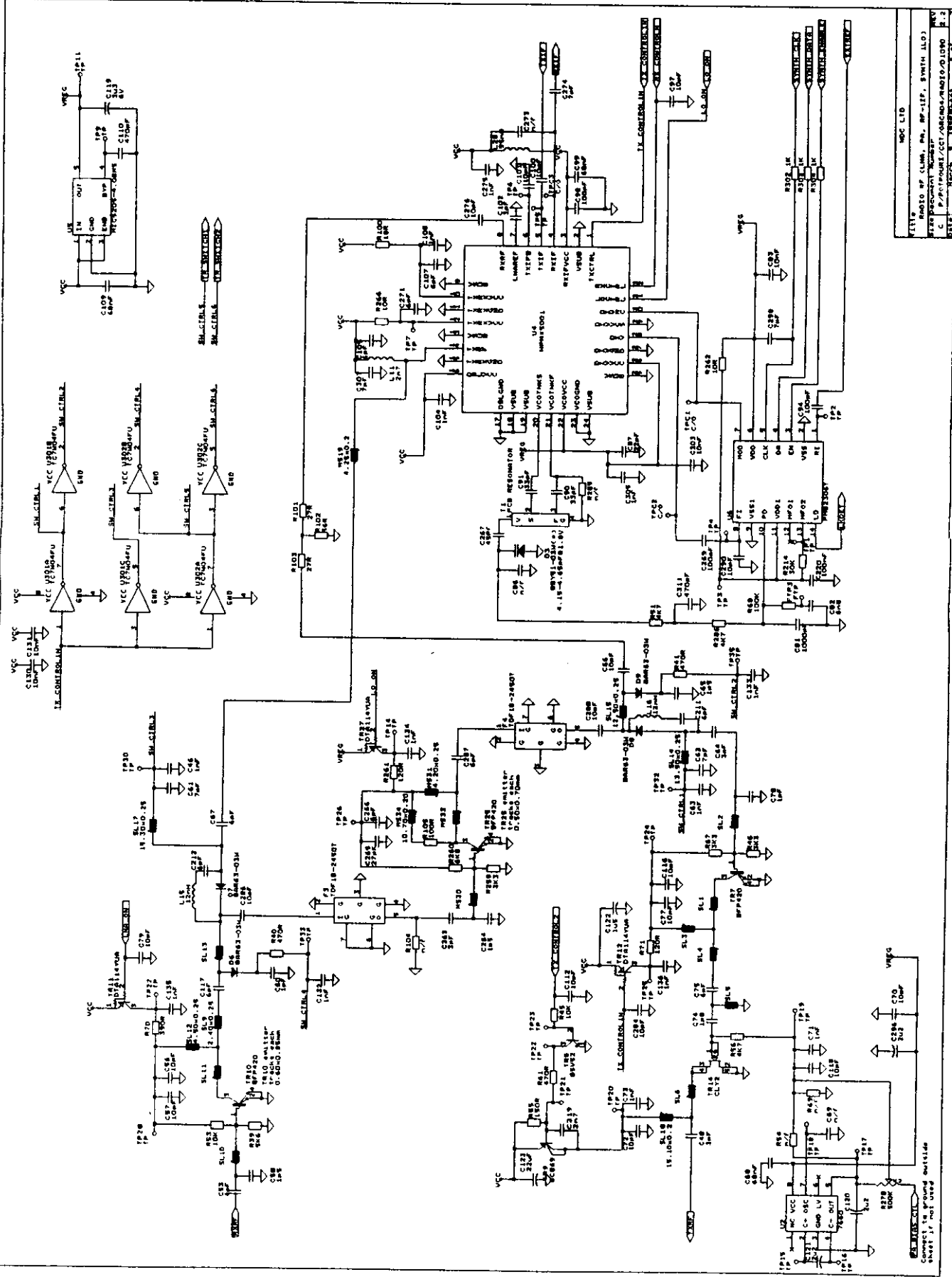


(not on PCB)  
 I2S1D  
 I2S1C  
 I2S1B  
 I2S1A  
 I2S10  
 I2S11  
 I2S12  
 I2S13  
 I2S14  
 I2S15  
 I2S16  
 I2S17  
 I2S18  
 I2S19  
 I2S1A  
 I2S1B  
 I2S1C  
 I2S1D  
 I2S1E  
 I2S1F  
 I2S1G  
 I2S1H  
 I2S1I  
 I2S1J  
 I2S1K  
 I2S1L  
 I2S1M  
 I2S1N  
 I2S1O  
 I2S1P  
 I2S1Q  
 I2S1R  
 I2S1S  
 I2S1T  
 I2S1U  
 I2S1V  
 I2S1W  
 I2S1X  
 I2S1Y  
 I2S1Z  
 I2S1AA  
 I2S1AB  
 I2S1AC  
 I2S1AD  
 I2S1AE  
 I2S1AF  
 I2S1AG  
 I2S1AH  
 I2S1AI  
 I2S1AJ  
 I2S1AK  
 I2S1AL  
 I2S1AM  
 I2S1AN  
 I2S1AO  
 I2S1AP  
 I2S1AQ  
 I2S1AR  
 I2S1AS  
 I2S1AT  
 I2S1AU  
 I2S1AV  
 I2S1AW  
 I2S1AX  
 I2S1AY  
 I2S1AZ  
 I2S1BA  
 I2S1BB  
 I2S1BC  
 I2S1BD  
 I2S1BE  
 I2S1BF  
 I2S1BG  
 I2S1BH  
 I2S1BI  
 I2S1BJ  
 I2S1BK  
 I2S1BL  
 I2S1BM  
 I2S1BN  
 I2S1BO  
 I2S1BP  
 I2S1BQ  
 I2S1BR  
 I2S1BS  
 I2S1BT  
 I2S1BU  
 I2S1BV  
 I2S1BW  
 I2S1BX  
 I2S1BY  
 I2S1BZ  
 I2S1CA  
 I2S1CB  
 I2S1CC  
 I2S1CD  
 I2S1CE  
 I2S1CF  
 I2S1CG  
 I2S1CH  
 I2S1CI  
 I2S1CJ  
 I2S1CK  
 I2S1CL  
 I2S1CM  
 I2S1CN  
 I2S1CO  
 I2S1CP  
 I2S1CQ  
 I2S1CR  
 I2S1CS  
 I2S1CT  
 I2S1CU  
 I2S1CV  
 I2S1CW  
 I2S1CX  
 I2S1CY  
 I2S1CZ  
 I2S1DA  
 I2S1DB  
 I2S1DC  
 I2S1DD  
 I2S1DE  
 I2S1DF  
 I2S1DG  
 I2S1DH  
 I2S1DI  
 I2S1DJ  
 I2S1DK  
 I2S1DL  
 I2S1DM  
 I2S1DN  
 I2S1DO  
 I2S1DP  
 I2S1DQ  
 I2S1DR  
 I2S1DS  
 I2S1DT  
 I2S1DU  
 I2S1DV  
 I2S1DW  
 I2S1DX  
 I2S1DY  
 I2S1DZ  
 I2S1EA  
 I2S1EB  
 I2S1EC  
 I2S1ED  
 I2S1EE  
 I2S1EF  
 I2S1EG  
 I2S1EH  
 I2S1EI  
 I2S1EJ  
 I2S1EK  
 I2S1EL  
 I2S1EM  
 I2S1EN  
 I2S1EO  
 I2S1EP  
 I2S1EQ  
 I2S1ER  
 I2S1ES  
 I2S1ET  
 I2S1EU  
 I2S1EV  
 I2S1EW  
 I2S1EX  
 I2S1EY  
 I2S1EZ  
 I2S1FA  
 I2S1FB  
 I2S1FC  
 I2S1FD  
 I2S1FE  
 I2S1FF  
 I2S1FG  
 I2S1FH  
 I2S1FI  
 I2S1FJ  
 I2S1FK  
 I2S1FL  
 I2S1FM  
 I2S1FN  
 I2S1FO  
 I2S1FP  
 I2S1FQ  
 I2S1FR  
 I2S1FS  
 I2S1FT  
 I2S1FU  
 I2S1FV  
 I2S1FW  
 I2S1FX  
 I2S1FY  
 I2S1FZ  
 I2S1GA  
 I2S1GB  
 I2S1GC  
 I2S1GD  
 I2S1GE  
 I2S1GF  
 I2S1GG  
 I2S1GH  
 I2S1GI  
 I2S1GJ  
 I2S1GK  
 I2S1GL  
 I2S1GM  
 I2S1GN  
 I2S1GO  
 I2S1GP  
 I2S1GQ  
 I2S1GR  
 I2S1GS  
 I2S1GT  
 I2S1GU  
 I2S1GV  
 I2S1GW  
 I2S1GX  
 I2S1GY  
 I2S1GZ  
 I2S1HA  
 I2S1HB  
 I2S1HC  
 I2S1HD  
 I2S1HE  
 I2S1HF  
 I2S1HG  
 I2S1HH  
 I2S1HI  
 I2S1HJ  
 I2S1HK  
 I2S1HL  
 I2S1HM  
 I2S1HN  
 I2S1HO  
 I2S1HP  
 I2S1HQ  
 I2S1HR  
 I2S1HS  
 I2S1HT  
 I2S1HU  
 I2S1HV  
 I2S1HW  
 I2S1HX  
 I2S1HY  
 I2S1HZ  
 I2S1IA  
 I2S1IB  
 I2S1IC  
 I2S1ID  
 I2S1IE  
 I2S1IF  
 I2S1IG  
 I2S1IH  
 I2S1II  
 I2S1IJ  
 I2S1IK  
 I2S1IL  
 I2S1IM  
 I2S1IN  
 I2S1IO  
 I2S1IP  
 I2S1IQ  
 I2S1IR  
 I2S1IS  
 I2S1IT  
 I2S1IU  
 I2S1IV  
 I2S1IW  
 I2S1IX  
 I2S1IY  
 I2S1IZ  
 I2S1JA  
 I2S1JB  
 I2S1JC  
 I2S1JD  
 I2S1JE  
 I2S1JF  
 I2S1JG  
 I2S1JH  
 I2S1JI  
 I2S1JJ  
 I2S1JK  
 I2S1JL  
 I2S1JM  
 I2S1JN  
 I2S1JO  
 I2S1JP  
 I2S1JQ  
 I2S1JR  
 I2S1JS  
 I2S1JT  
 I2S1JU  
 I2S1JV  
 I2S1JW  
 I2S1JX  
 I2S1JY  
 I2S1JZ  
 I2S1KA  
 I2S1KB  
 I2S1KC  
 I2S1KD  
 I2S1KE  
 I2S1KF  
 I2S1KG  
 I2S1KH  
 I2S1KI  
 I2S1KJ  
 I2S1KK  
 I2S1KL  
 I2S1KM  
 I2S1KN  
 I2S1KO  
 I2S1KP  
 I2S1KQ  
 I2S1KR  
 I2S1KS  
 I2S1KT  
 I2S1KU  
 I2S1KV  
 I2S1KW  
 I2S1KX  
 I2S1KY  
 I2S1KZ  
 I2S1LA  
 I2S1LB  
 I2S1LC  
 I2S1LD  
 I2S1LE  
 I2S1LF  
 I2S1LG  
 I2S1LH  
 I2S1LI  
 I2S1LJ  
 I2S1LK  
 I2S1LL  
 I2S1LM  
 I2S1LN  
 I2S1LO  
 I2S1LP  
 I2S1LQ  
 I2S1LR  
 I2S1LS  
 I2S1LT  
 I2S1LU  
 I2S1LV  
 I2S1LW  
 I2S1LX  
 I2S1LY  
 I2S1LZ  
 I2S1MA  
 I2S1MB  
 I2S1MC  
 I2S1MD  
 I2S1ME  
 I2S1MF  
 I2S1MG  
 I2S1MH  
 I2S1MI  
 I2S1MJ  
 I2S1MK  
 I2S1ML  
 I2S1MM  
 I2S1MN  
 I2S1MO  
 I2S1MP  
 I2S1MQ  
 I2S1MR  
 I2S1MS  
 I2S1MT  
 I2S1MU  
 I2S1MV  
 I2S1MW  
 I2S1MX  
 I2S1MY  
 I2S1MZ  
 I2S1NA  
 I2S1NB  
 I2S1NC  
 I2S1ND  
 I2S1NE  
 I2S1NF  
 I2S1NG  
 I2S1NH  
 I2S1NI  
 I2S1NJ  
 I2S1NK  
 I2S1NL  
 I2S1NM  
 I2S1NN  
 I2S1NO  
 I2S1NP  
 I2S1NQ  
 I2S1NR  
 I2S1NS  
 I2S1NT  
 I2S1NU  
 I2S1NV  
 I2S1NW  
 I2S1NX  
 I2S1NY  
 I2S1NZ  
 I2S1OA  
 I2S1OB  
 I2S1OC  
 I2S1OD  
 I2S1OE  
 I2S1OF  
 I2S1OG  
 I2S1OH  
 I2S1OI  
 I2S1OJ  
 I2S1OK  
 I2S1OL  
 I2S1OM  
 I2S1ON  
 I2S1OO  
 I2S1OP  
 I2S1OQ  
 I2S1OR  
 I2S1OS  
 I2S1OT  
 I2S1OU  
 I2S1OV  
 I2S1OW  
 I2S1OX  
 I2S1OY  
 I2S1OZ  
 I2S1PA  
 I2S1PB  
 I2S1PC  
 I2S1PD  
 I2S1PE  
 I2S1PF  
 I2S1PG  
 I2S1PH  
 I2S1PI  
 I2S1PJ  
 I2S1PK  
 I2S1PL  
 I2S1PM  
 I2S1PN  
 I2S1PO  
 I2S1PP  
 I2S1PQ  
 I2S1PR  
 I2S1PS  
 I2S1PT  
 I2S1PU  
 I2S1PV  
 I2S1PW  
 I2S1PX  
 I2S1PY  
 I2S1PZ  
 I2S1QA  
 I2S1QB  
 I2S1QC  
 I2S1QD  
 I2S1QE  
 I2S1QF  
 I2S1QG  
 I2S1QH  
 I2S1QI  
 I2S1QJ  
 I2S1QK  
 I2S1QL  
 I2S1QM  
 I2S1QN  
 I2S1QO  
 I2S1QP  
 I2S1QQ  
 I2S1QR  
 I2S1QS  
 I2S1QT  
 I2S1QU  
 I2S1QV  
 I2S1QW  
 I2S1QX  
 I2S1QY  
 I2S1QZ  
 I2S1RA  
 I2S1RB  
 I2S1RC  
 I2S1RD  
 I2S1RE  
 I2S1RF  
 I2S1RG  
 I2S1RH  
 I2S1RI  
 I2S1RJ  
 I2S1RK  
 I2S1RL  
 I2S1RM  
 I2S1RN  
 I2S1RO  
 I2S1RP  
 I2S1RQ  
 I2S1RR  
 I2S1RS  
 I2S1RT  
 I2S1RU  
 I2S1RV  
 I2S1RW  
 I2S1RX  
 I2S1RY  
 I2S1RZ  
 I2S1SA  
 I2S1SB  
 I2S1SC  
 I2S1SD  
 I2S1SE  
 I2S1SF  
 I2S1SG  
 I2S1SH  
 I2S1SI  
 I2S1SJ  
 I2S1SK  
 I2S1SL  
 I2S1SM  
 I2S1SN  
 I2S1SO  
 I2S1SP  
 I2S1SQ  
 I2S1SR  
 I2S1SS  
 I2S1ST  
 I2S1SU  
 I2S1SV  
 I2S1SW  
 I2S1SX  
 I2S1SY  
 I2S1SZ  
 I2S1TA  
 I2S1TB  
 I2S1TC  
 I2S1TD  
 I2S1TE  
 I2S1TF  
 I2S1TG  
 I2S1TH  
 I2S1TI  
 I2S1TJ  
 I2S1TK  
 I2S1TL  
 I2S1TM  
 I2S1TN  
 I2S1TO  
 I2S1TP  
 I2S1TQ  
 I2S1TR  
 I2S1TS  
 I2S1TT  
 I2S1TU  
 I2S1TV  
 I2S1TW  
 I2S1TX  
 I2S1TY  
 I2S1TZ  
 I2S1UA  
 I2S1UB  
 I2S1UC  
 I2S1UD  
 I2S1UE  
 I2S1UF  
 I2S1UG  
 I2S1UH  
 I2S1UI  
 I2S1UJ  
 I2S1UK  
 I2S1UL  
 I2S1UM  
 I2S1UN  
 I2S1UO  
 I2S1UP  
 I2S1UQ  
 I2S1UR  
 I2S1US  
 I2S1UT  
 I2S1UU  
 I2S1UV  
 I2S1UW  
 I2S1UX  
 I2S1UY  
 I2S1UZ  
 I2S1VA  
 I2S1VB  
 I2S1VC  
 I2S1VD  
 I2S1VE  
 I2S1VF  
 I2S1VG  
 I2S1VH  
 I2S1VI  
 I2S1VJ  
 I2S1VK  
 I2S1VL  
 I2S1VM  
 I2S1VN  
 I2S1VO  
 I2S1VP  
 I2S1VQ  
 I2S1VR  
 I2S1VS  
 I2S1VT  
 I2S1VU  
 I2S1VV  
 I2S1VW  
 I2S1VX  
 I2S1VY  
 I2S1VZ  
 I2S1WA  
 I2S1WB  
 I2S1WC  
 I2S1WD  
 I2S1WE  
 I2S1WF  
 I2S1WG  
 I2S1WH  
 I2S1WI  
 I2S1WJ  
 I2S1WK  
 I2S1WL  
 I2S1WM  
 I2S1WN  
 I2S1WO  
 I2S1WP  
 I2S1WQ  
 I2S1WR  
 I2S1WS  
 I2S1WT  
 I2S1WU  
 I2S1WV  
 I2S1WW  
 I2S1WX  
 I2S1WY  
 I2S1WZ  
 I2S1XA  
 I2S1XB  
 I2S1XC  
 I2S1XD  
 I2S1XE  
 I2S1XF  
 I2S1XG  
 I2S1XH  
 I2S1XI  
 I2S1XJ  
 I2S1XK  
 I2S1XL  
 I2S1XM  
 I2S1XN  
 I2S1XO  
 I2S1XP  
 I2S1XQ  
 I2S1XR  
 I2S1XS  
 I2S1XT  
 I2S1XU  
 I2S1XV  
 I2S1XW  
 I2S1XX  
 I2S1XY  
 I2S1XZ  
 I2S1YA  
 I2S1YB  
 I2S1YC  
 I2S1YD  
 I2S1YE  
 I2S1YF  
 I2S1YG  
 I2S1YH  
 I2S1YI  
 I2S1YJ  
 I2S1YK  
 I2S1YL  
 I2S1YM  
 I2S1YN  
 I2S1YO  
 I2S1YP  
 I2S1YQ  
 I2S1YR  
 I2S1YS  
 I2S1YT  
 I2S1YU  
 I2S1YV  
 I2S1YW  
 I2S1YX  
 I2S1YY  
 I2S1YZ  
 I2S1ZA  
 I2S1ZB  
 I2S1ZC  
 I2S1ZD  
 I2S1ZE  
 I2S1ZF  
 I2S1ZG  
 I2S1ZH  
 I2S1ZI  
 I2S1ZJ  
 I2S1ZK  
 I2S1ZL  
 I2S1ZM  
 I2S1ZN  
 I2S1ZO  
 I2S1ZP  
 I2S1ZQ  
 I2S1ZR  
 I2S1ZS  
 I2S1ZT  
 I2S1ZU  
 I2S1ZV  
 I2S1ZW  
 I2S1ZX  
 I2S1ZY  
 I2S1ZZ

PCMCIA



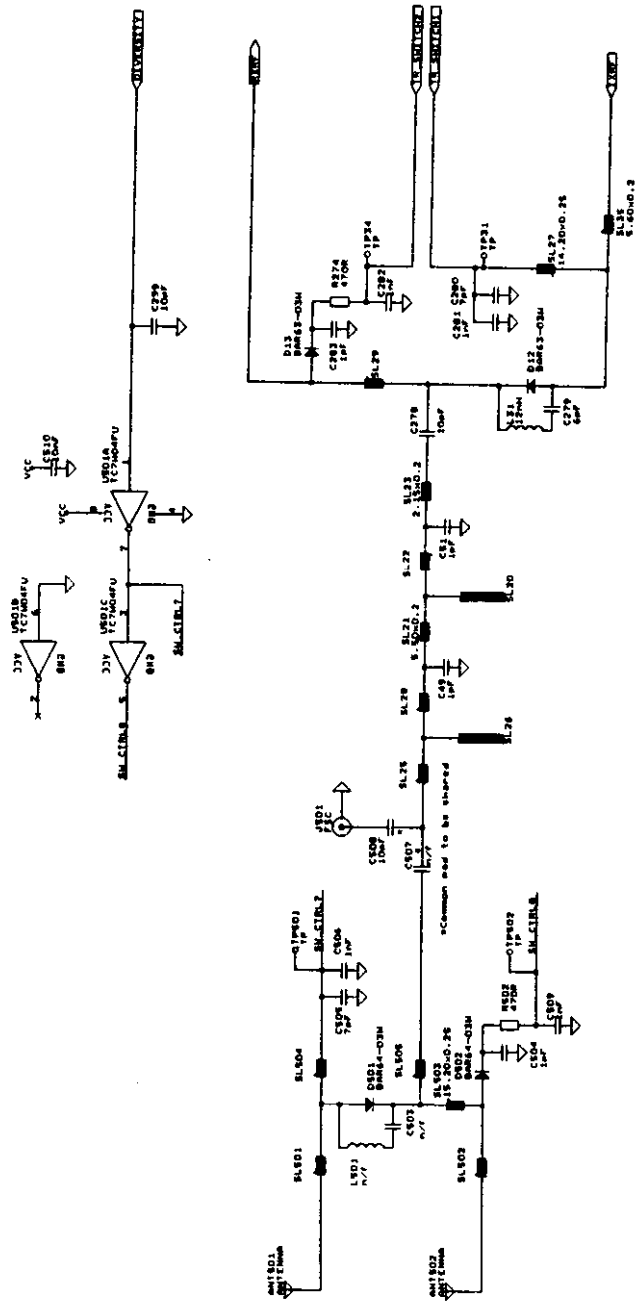
1110 MAC LTD  
 RADIO IF (121F AND 2MHz OPTIONS)  
 1111 P-PROF/ACT/ARCADA/ANISO/01091  
 1112 C  
 1113 FILE 7-10000001



CITY: \_\_\_\_\_  
 RADIO NO. (L.M.S. No. MP-112, 5 WITH I.L.O.)  
 SIZE (SHEET NUMBER)  
 C. P. (PRINTED) / C.T. (ORIGINAL) / RADIO NO. / I.D. NO.  
 CITY: \_\_\_\_\_ REC'D: \_\_\_\_\_

VCC L10  
 VCC L11  
 VCC L12  
 VCC L13  
 VCC L14  
 VCC L15  
 VCC L16  
 VCC L17  
 VCC L18  
 VCC L19  
 VCC L20  
 VCC L21  
 VCC L22  
 VCC L23  
 VCC L24  
 VCC L25  
 VCC L26  
 VCC L27  
 VCC L28  
 VCC L29  
 VCC L30  
 VCC L31  
 VCC L32  
 VCC L33  
 VCC L34  
 VCC L35  
 VCC L36  
 VCC L37  
 VCC L38  
 VCC L39  
 VCC L40  
 VCC L41  
 VCC L42  
 VCC L43  
 VCC L44  
 VCC L45  
 VCC L46  
 VCC L47  
 VCC L48  
 VCC L49  
 VCC L50  
 VCC L51  
 VCC L52  
 VCC L53  
 VCC L54  
 VCC L55  
 VCC L56  
 VCC L57  
 VCC L58  
 VCC L59  
 VCC L60  
 VCC L61  
 VCC L62  
 VCC L63  
 VCC L64  
 VCC L65  
 VCC L66  
 VCC L67  
 VCC L68  
 VCC L69  
 VCC L70  
 VCC L71  
 VCC L72  
 VCC L73  
 VCC L74  
 VCC L75  
 VCC L76  
 VCC L77  
 VCC L78  
 VCC L79  
 VCC L80  
 VCC L81  
 VCC L82  
 VCC L83  
 VCC L84  
 VCC L85  
 VCC L86  
 VCC L87  
 VCC L88  
 VCC L89  
 VCC L90  
 VCC L91  
 VCC L92  
 VCC L93  
 VCC L94  
 VCC L95  
 VCC L96  
 VCC L97  
 VCC L98  
 VCC L99  
 VCC L100

Connect to ground outside  
 sheet if not used



TITLE: DUAL DIVERSITY ANTENNA & T/R SWITCH  
 DESIGNED BY: [REDACTED]  
 CHECKED BY: [REDACTED]  
 DATE: [REDACTED]