

EXHIBIT C

[FCC Ref. 2.1033(b)(5)]

"Block Diagram and Schematic Diagram"

Fig.C-1 Block Diagram of RC-R0911

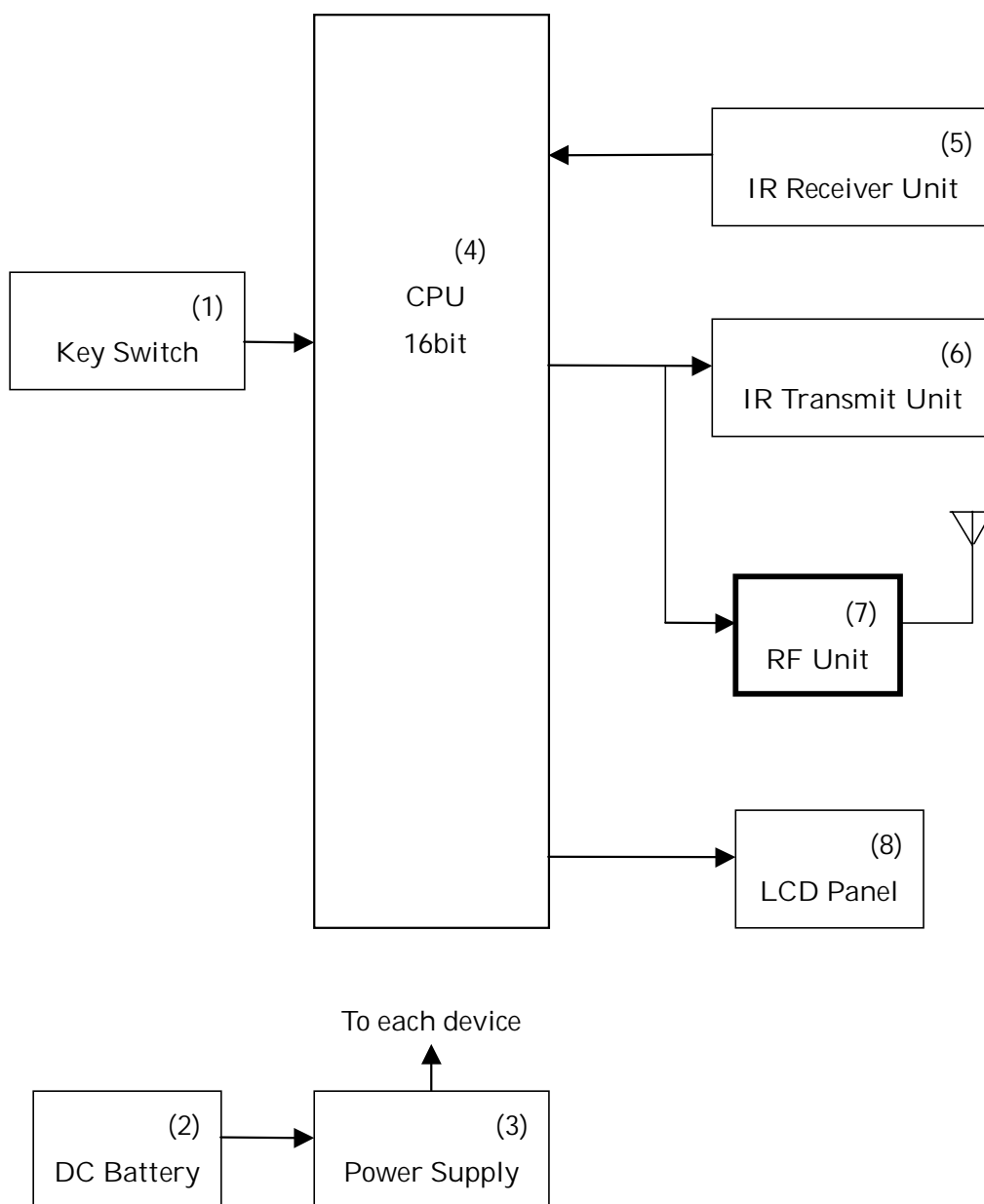


Fig.C-2 Block Diagram of RF Unit

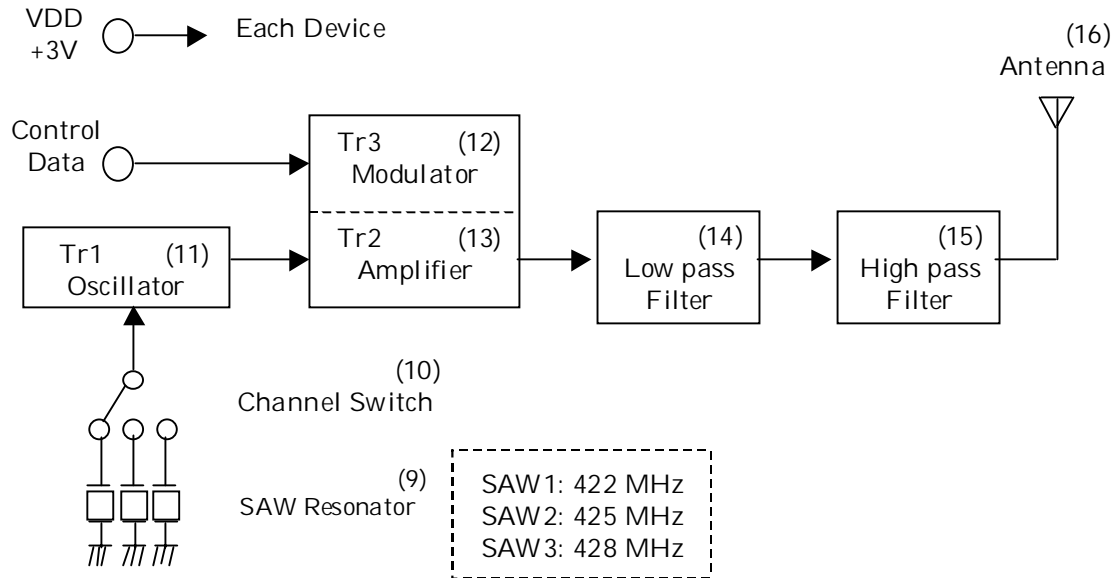


Fig.C-3 Schematic Diagram of RF Unit

