

POLAR
TEAM²
BASESTATION
PRO

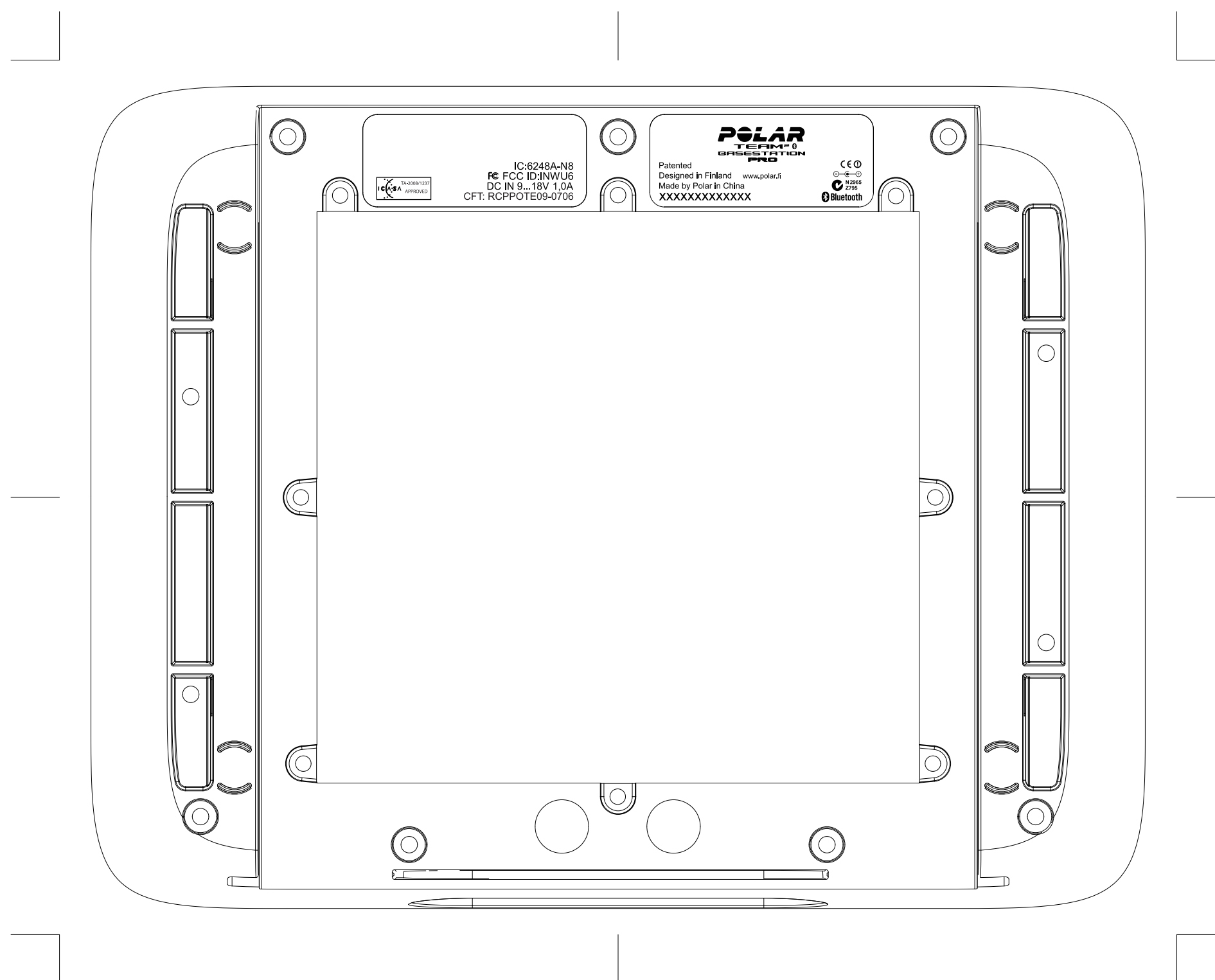
IC:6248A-N8
 FC FCC ID:INWU6
 DC IN 9...18V 1,0A
 CFT: RCPPOTE09-0706

Patented
 Designed in Finland www.polar.fi
 Made by Polar in China
 XXXXXXXXXXXXXXX

CE
 N 2965
 Z795
 Bluetooth



SCALED 400%



REFERENCE

POLAR	
Product	TEAM2
Name	GRAPHICS LASER TEAM2 BASESTATION PRO
Information	ALL LETTERS & SYMBOLS FILLED PLT FILE SCALED 400% SERIAL NUMBER FONT: ARIAL REGULAR 1,7mm
Scale	Code 36738.04
Designer	Date 080210 (HLI)
Ok	