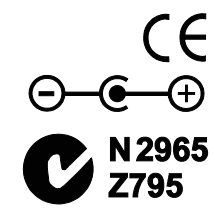


POLAR
TEAM² 
BASESTATION
PRO

Patented
 Designed in Finland
 Made by Polar in China

www.polar.fi

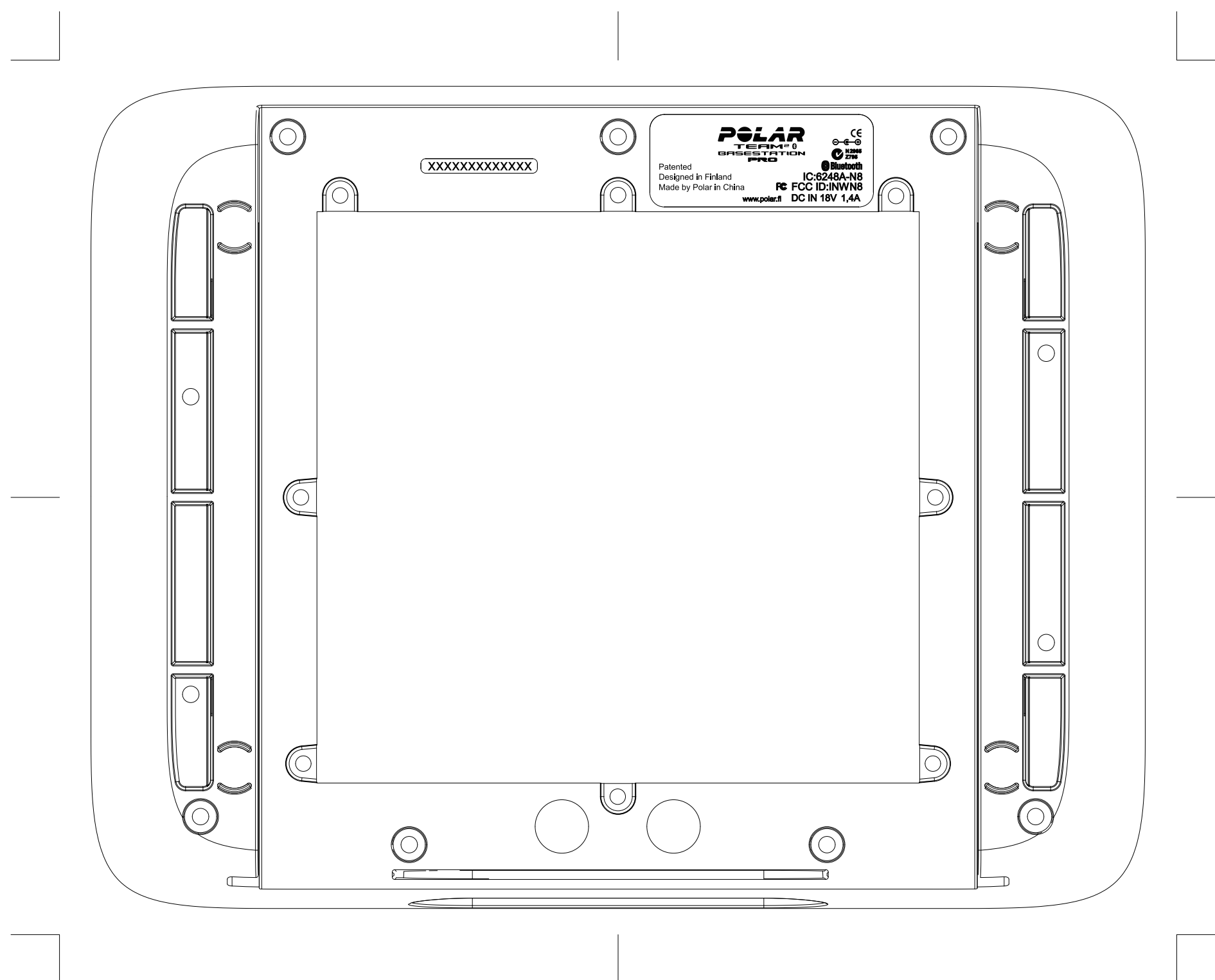


IC:6248A-N8

FCC ID:INWN8

DC IN 18V 1,4A

SCALED 400%



REFERENCE

POLAR	
Product	TEAM2
Name	GRAPHICS LASER TEAM2 BASESTATION PRO
Information	ALL LETTERS & SYMBOLS FILLED PLT FILE SCALED 400% SERIAL NUMBER FONT: ARIAL REGULAR 1,7mm
Scale	Code 36738
Designer	Date Okko 220908