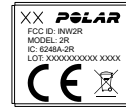
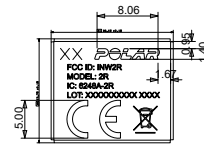


Current markings  
 Note! Please fill in the  
 letters when marking.

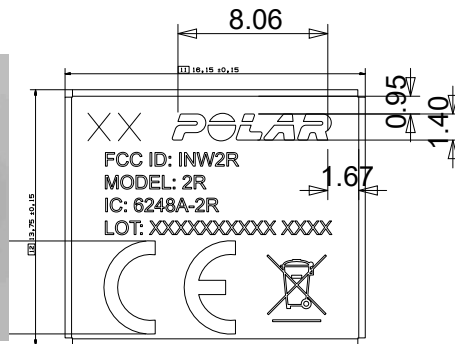
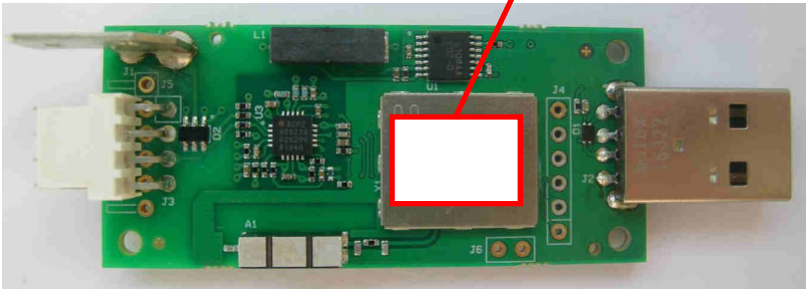


Maximum amount  
 of markings. (1:1)



Dimensions

Label location



<b>POLAR</b>	
Product Tuote	PLATE RF SHIELD HERCULES
Name Nimitys	Lasermarkings
Information	
Scale Suhde	Code Koodi
1:1	01
Designer Suunn.	ASu
Date Pvm.	24.8.2017