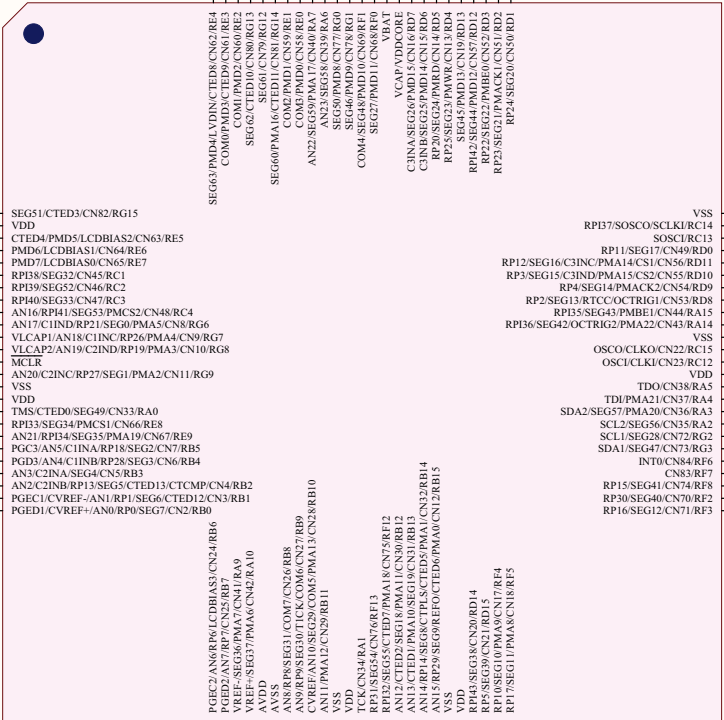
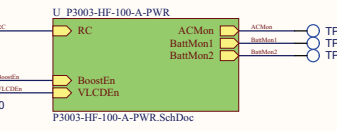


MICROCONTROLLER

U1
PIC24FJ128GA310

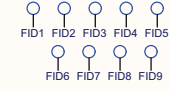


BATTERY POWER

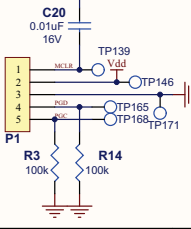


Rev	Date	By	Description
1.0	04/09/11	BKB	Initial Release
5.0	04/05/12	BKB	Production Release
6.0	04/27/12	BKB	Production Release - Minor Changes made for production test.

FIDUCIALS



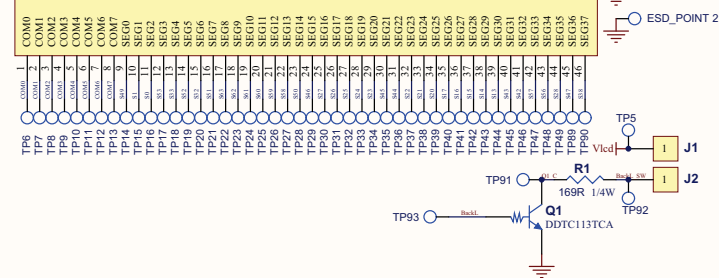
PROGRAMMING INTERFACE



UNLESS OTHERWISE SPECIFIED
Resistors
 Values are in Ohms
 Tolerance values are +-1%
 Power Rating is 1/10W
Capacitors
 Values are in Farads
 Voltage ratings are shown
Inductors
 Values are in Henries
 Tolerance values are +-5%
DO NOT SCALE DRAWING

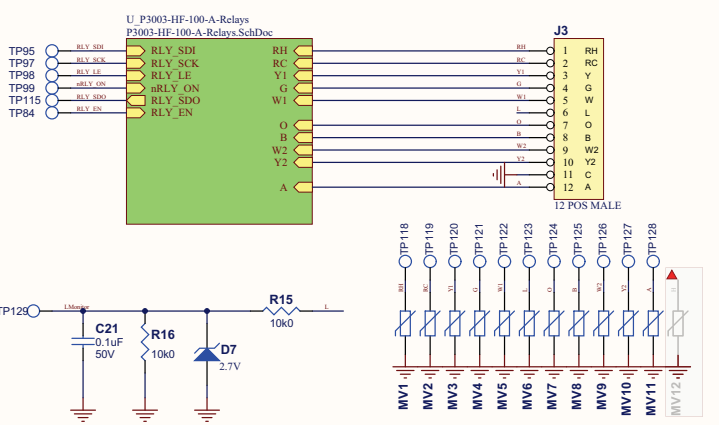
LCD1

LCD-38PIN-8COM

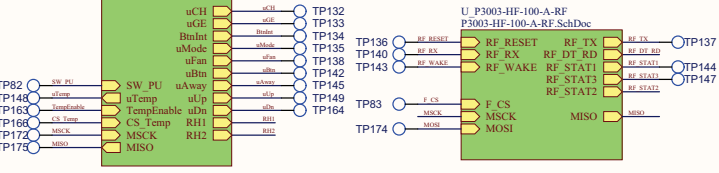


DISPLAY

RELAY OUTPUTS



WIRELESS



Your Complete Electronic Solution

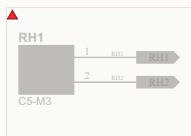
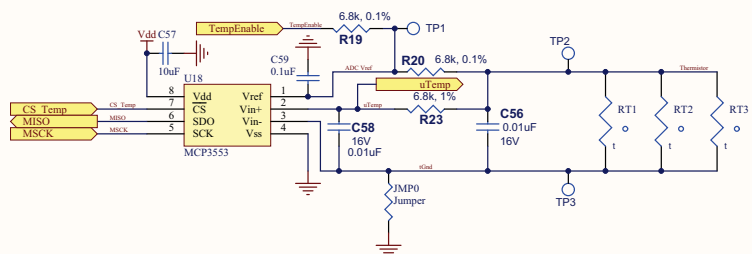
2009 Skyhawk Court
 White House, TN 37188
 phone: 615-654-9710
 brian@viper-design.com

DESCRIPTION/PART NAME
 Connected Thermostat
PRODUCTION RELEASE

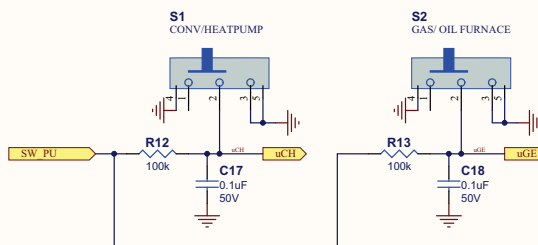
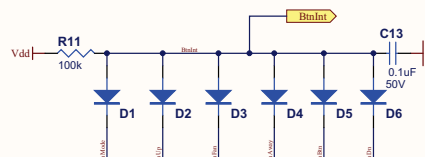
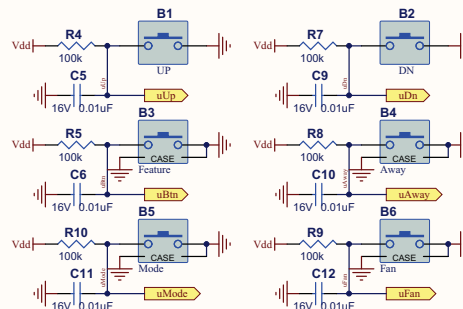
PROPRIETARY AND CONFIDENTIAL MATERIAL
 This drawing or material is submitted to you with confidence that it will be used only for your information on application engineering studies and shall never be used in any manner detrimental to our interest

DRAWNBY BKB	DATE 7/2/2012	SCALE C	PAGE 1
DWG NO. P3003-HF-100-A			5

TEMPERATURE HUMIDITY INPUTS



INPUTS



Rev	Date	By	Description
1.0	04/09/11	BKB	Initial Release
5.0	04/05/12	BKB	Production Release
6.0	04/27/12	BKB	Production Release - Minor Changes made for production test.
A	06/26/12	BKB	Changed R19 tolerance to 0.1%

UNLESS OTHERWISE SPECIFIED
Resistors
 Values are in Ohms
 Tolerance values are +/-1%
 Power Rating is 1/10W
Capacitors
 Values are in Farads
 Voltage ratings are shown
Inductors
 Values are in Henries
 Tolerance values are +/-5%
DO NOT SCALE DRAWING

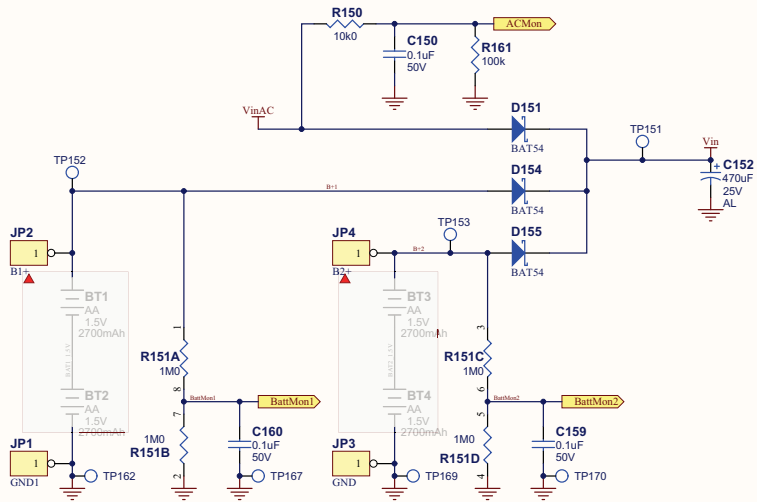
Your Complete Electronic Solution

2009 Skyhawk Court
 White House, TN 37188
 phone: 615-654-9710
 brian@viper-design.com

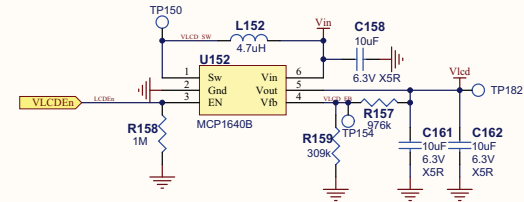
PROPRIETARY AND CONFIDENTIAL MATERIAL
 This drawing or material is submitted to you with confidence that it will be used only for your information on application engineering studies and shall never be used in any manner detrimental to our interest

DESCRIPTION/PART NAME		
Connected Thermostat PRODUCTION RELEASE		
DRAWNBY BKB	DATE 7/2/2012	SCALE C
DWG NO. P3003-HF-100- A		PAGE 2 5

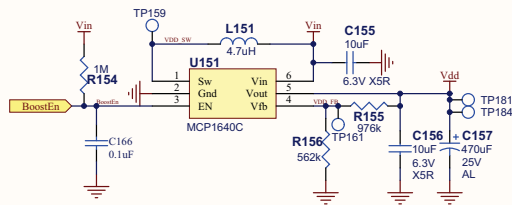
BATTERY



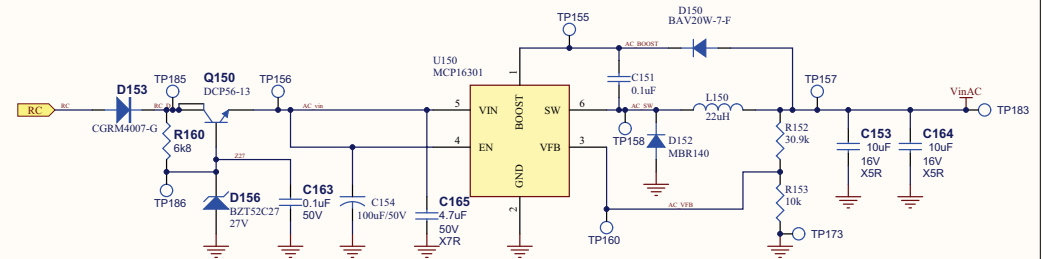
LED Backlight Power



BOOST REGULATOR



24V SUPPLY



Rev	Date	By	Description
1.0	8/17/11	BKB	Initial Release
5.0	04/05/12	BKB	Production Release
6.0	04/27/12	BKB	Production Release - Minor Changes made for production test.
A	06/26/12	BKB	Moved Pullup Enable from Ground to Vin.

UNLESS OTHERWISE SPECIFIED

Resistors
Values are in Ohms
Tolerance values are +-1%
Power Rating is 1/10W

Capacitors
Values are in Farads
Voltage ratings are shown

Inductors
Values are in Henries
Tolerance values are +-5%

DO NOT SCALE DRAWING

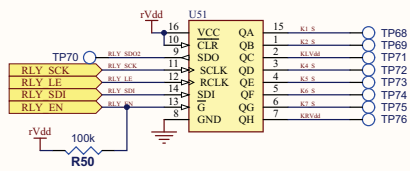
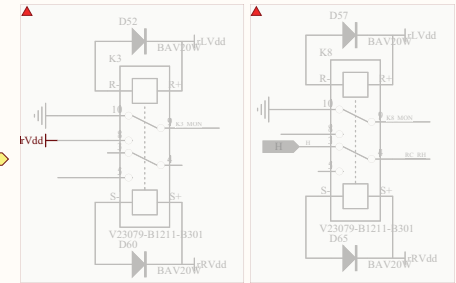
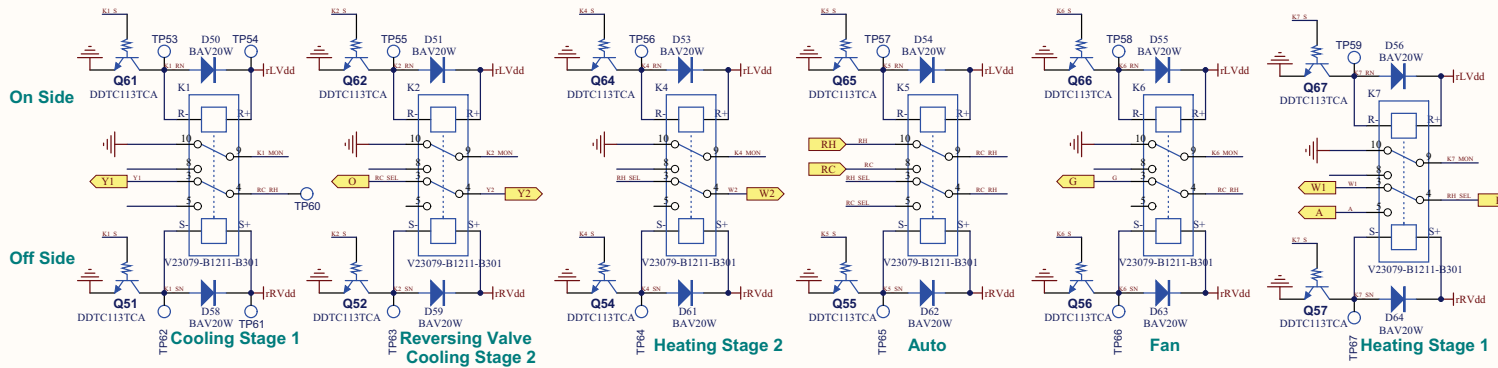
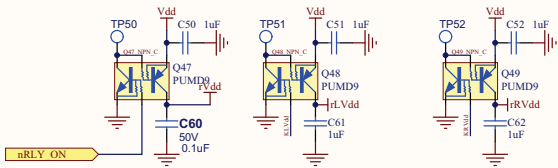
Your Complete Electronic Solution

2009 Skyhawk Court
White House, TN 37188
phone: 615-654-9710
brian@viper-design.com

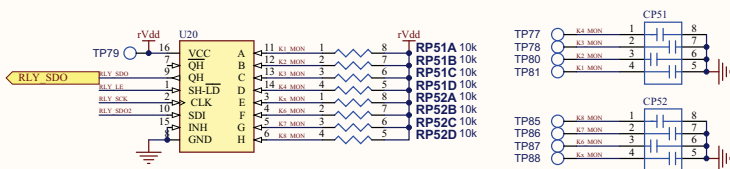
DESCRIPTION/PART NAME
Connected Thermostat
PRODUCTION RELEASE

DRAWNBY	DATE	SCALE	PAGE
BKB	7/2/2012	C	3
DWG NO. P3003-HF-100- A			5

RELAY OUTPUTS



RELAY MONITOR



Resistors
Values are in Ohms
Tolerance values are +/-1%
Power Rating is 1/10W

Capacitors
Values are in Farads
Voltage ratings are shown

Inductors
Values are in Henries
Tolerance values are +/-5%

DO NOT SCALE DRAWING



DESCRIPTION/PART NAME
Connected Thermostat
PRODUCTION RELEASE

DRAWNBY BKB DATE 7/2/2012 SCALE C

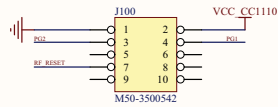
DWG NO. P3003-HF-100-A

Rev	Date	By	Description
1.0	04/09/11	BKB	Initial Release
5.0	04/05/12	BKB	Production Release
6.0	04/27/12	BKB	Production Release - Minor Changes made for production test.

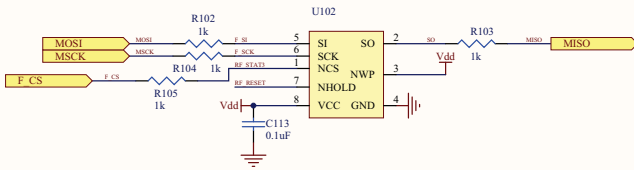
PROPRIETARY AND CONFIDENTIAL MATERIAL
This drawing or material is submitted to you with confidence that it will be used only for your information on application engineering studies and shall never be used in any manner detrimental to our interest

PAGE 4 5

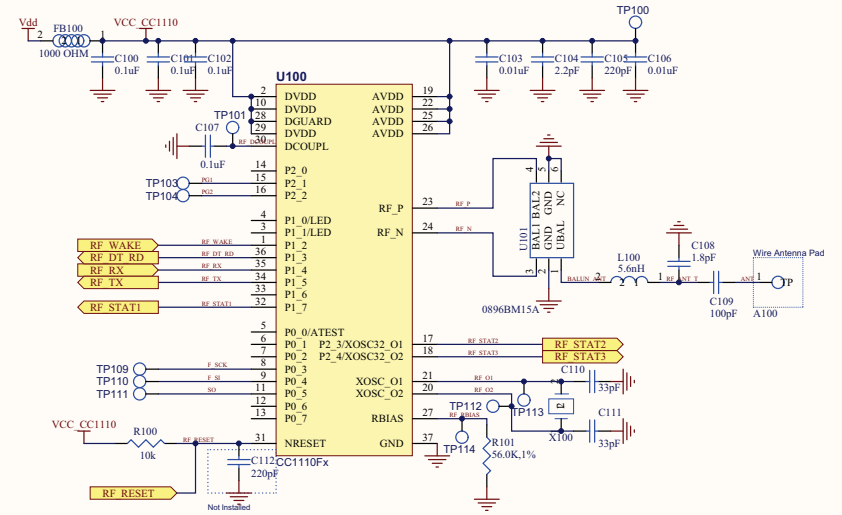
RF PROGRAMMING



SPI FLASH



RF SECTION



UNLESS OTHERWISE SPECIFIED

Resistors
Values are in Ohms
Tolerance values are +-1%
Power Rating is 1/10W

Capacitors
Values are in Farads
Voltage ratings are shown

Inductors
Values are in Henries
Tolerance values are +-5%

DO NOT SCALE DRAWING

Your Complete Electronic Solution

2009 Skyhawk Court
White House, TN 37188
phone: 615-654-9710
brian@viper-design.com

PROPRIETARY AND CONFIDENTIAL MATERIAL
This drawing or material is submitted to you with confidence that it will be used only for your information on application engineering studies and shall never be used in any manner detrimental to our interest

DESCRIPTION/PART NAME

Connected Thermostat
PRODUCTION RELEASE

DRAWNBY: BKB DATE: 7/2/2012 SCALE: C

DWG NO. P3003-HF-100-A

PAGE 5/5

Rev	Date	By	Description
1.0	8/17/11	BKB	Initial Release
5.0	04/05/12	BKB	Production Release
6.0	04/27/12	BKB	Production Release - Minor Changes made for production test.
A	06/26/12	BKB	Change R102, R103, R104, R105 to 1k from 10k