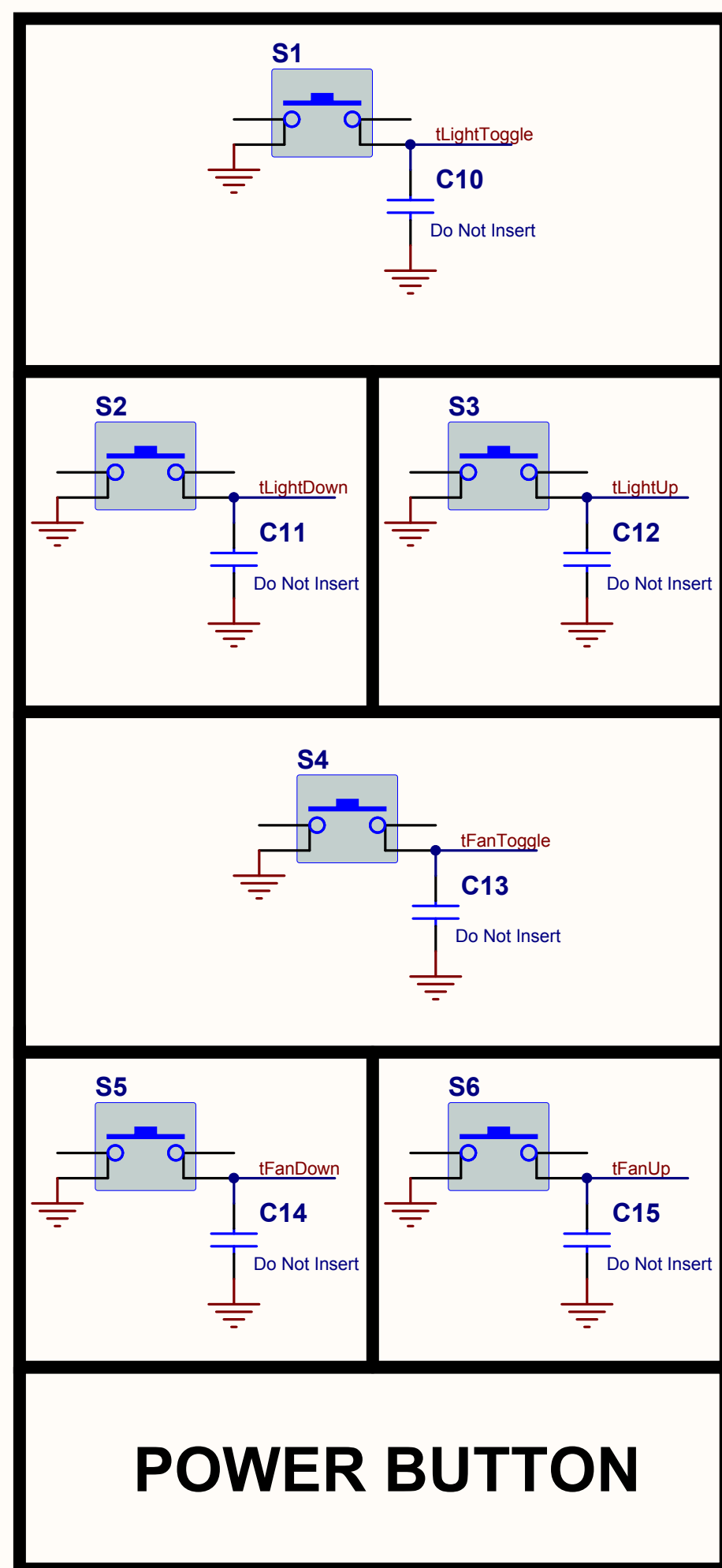
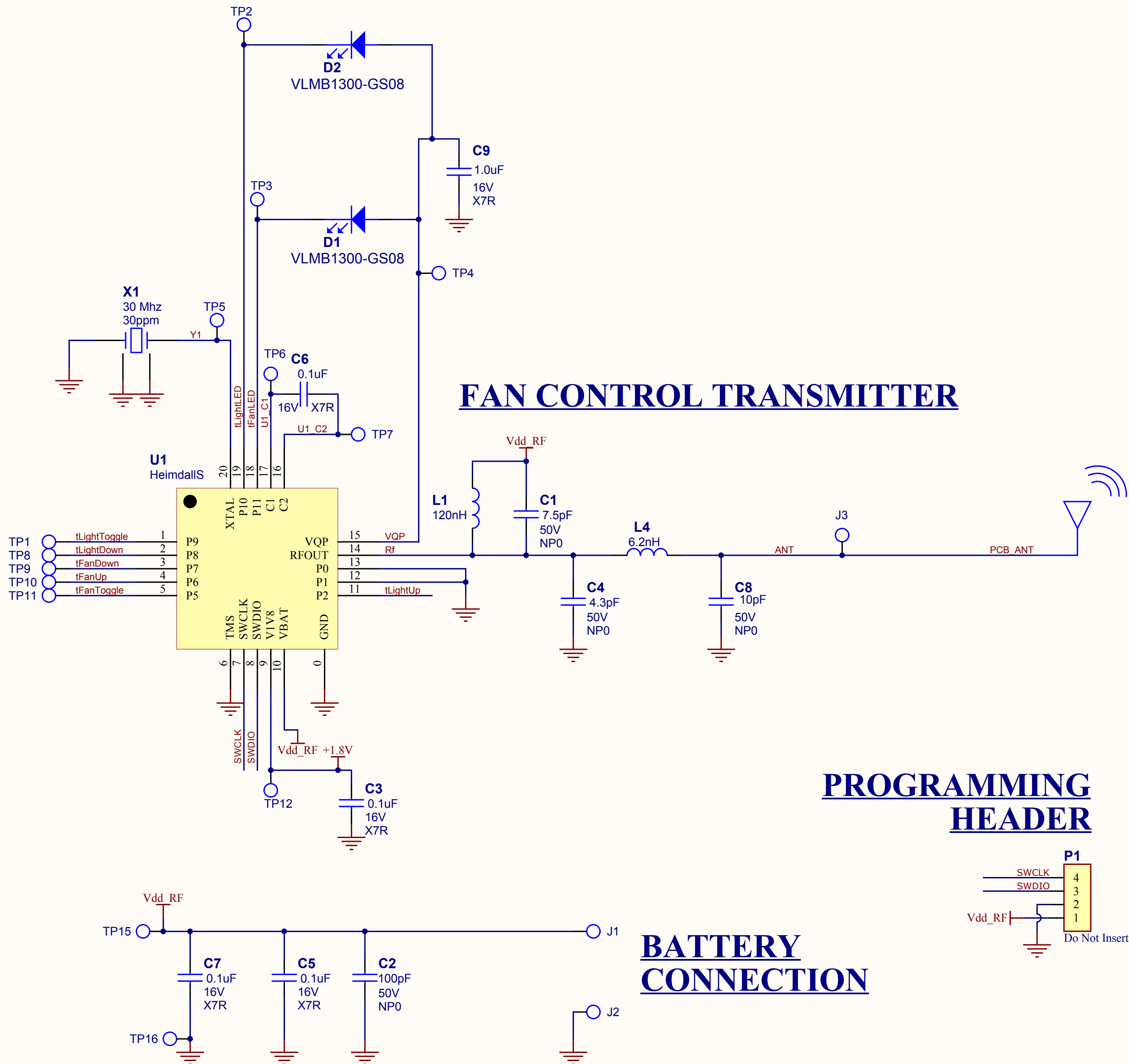


## SWITCH MATRIX

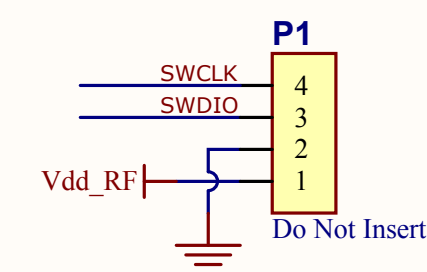


## POWER BUTTON



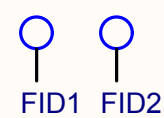
## FAN CONTROL TRANSMITTER

## PROGRAMMING HEADER



## BATTERY CONNECTION

## FIDUCIALS



- VIPER DESIGN
- P3017-HF-100-02
- P3017-HF-100-02

### UNLESS OTHERWISE SPECIFIED

**Resistors**  
Values are in Ohms  
Tolerance values are +-1%  
Power Rating is 1/10W

**Capacitors**  
Values are in Farads  
Voltage ratings are shown

**Inductors**  
Values are in Henries  
Tolerance values are +-5%

DO NOT SCALE DRAWING



**PROPRIETARY AND CONFIDENTIAL MATERIAL**  
This drawing or material is submitted to you with confidence that it will be used only for your information on application engineering studies and shall never be used in any manner detrimental to our interest

### DESCRIPTION/PART NAME

Battery Wall Control  
**PROTOTYPE**

DRAWNBY BKB	DATE 10/12/2016	SCALE B
DWG NO. P3017-HF-100		PAGE 1/1

Rev	Date	By	Description
1.0	02/11/16	BKB	Initial Release. Sourced from BTLE Wall and GAC control.
2.0	10/12/16	BKB	Updates from FCC Certification Tests: L1, C1, L4, C4, and C8. Remove R5.