

A

A

B

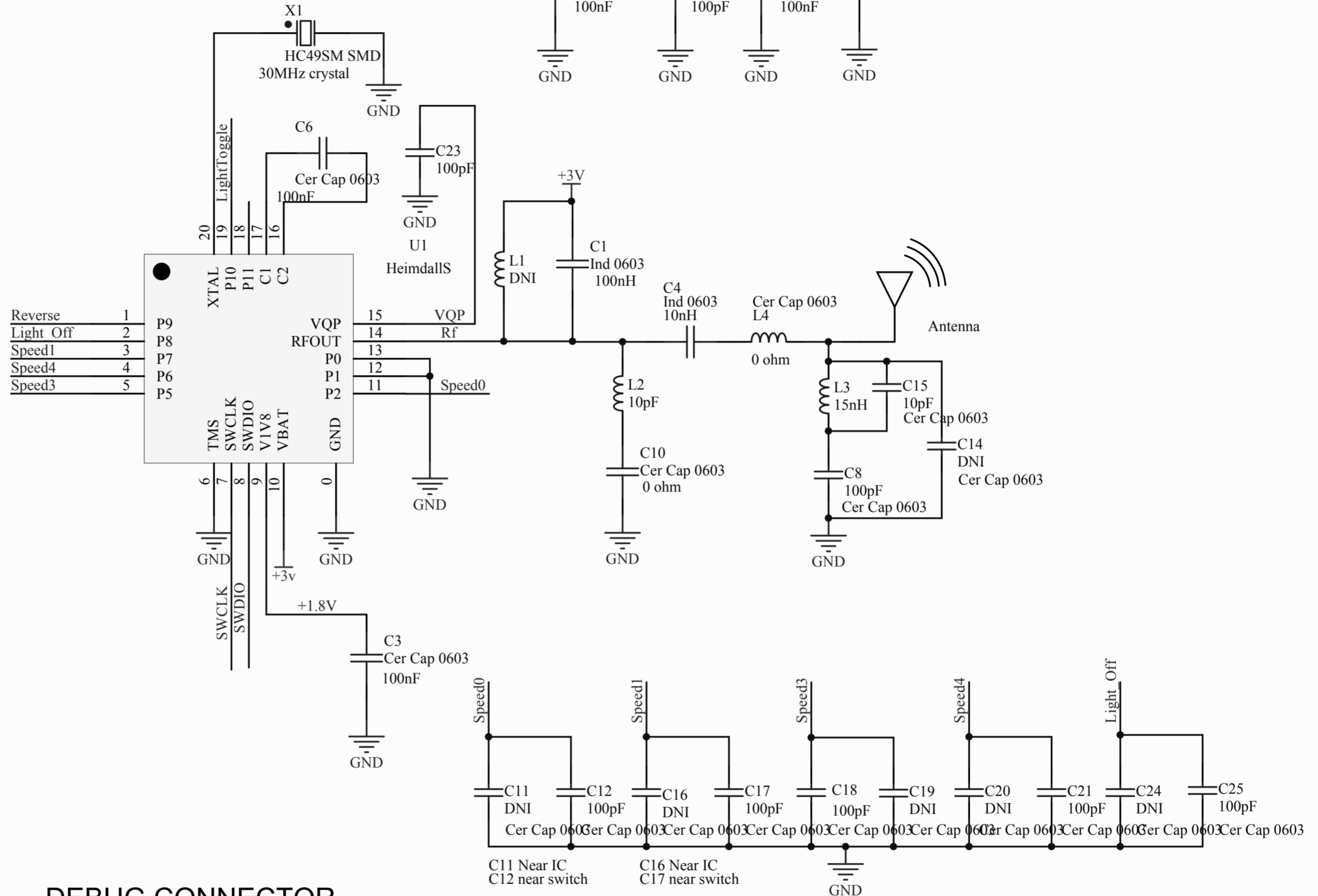
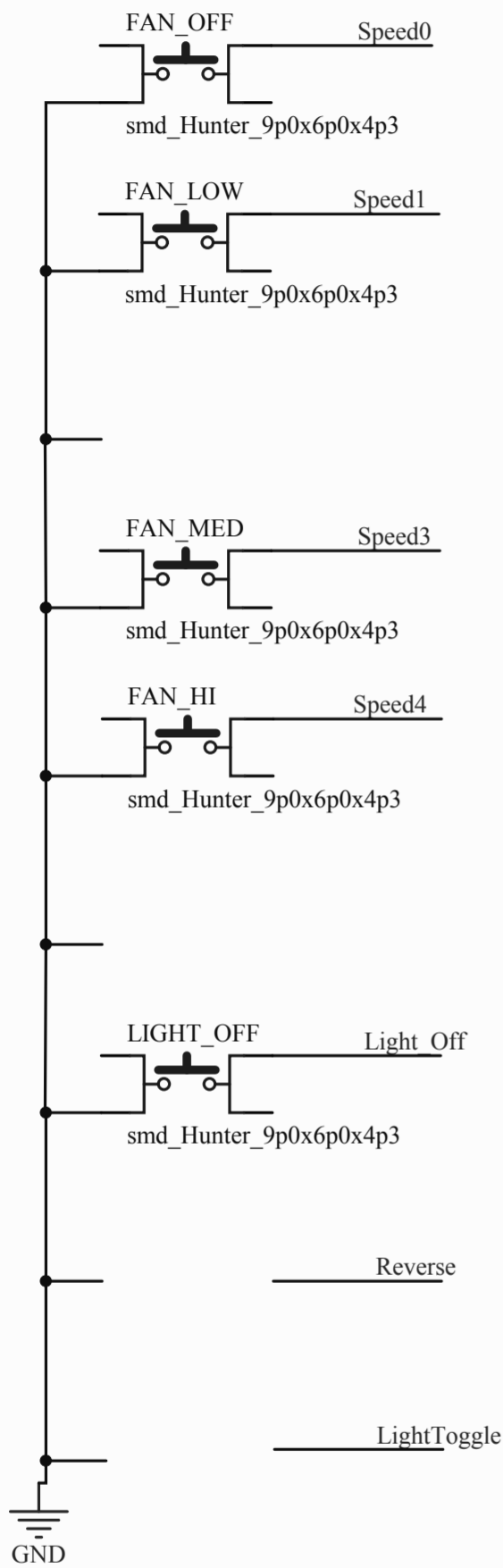
B

C

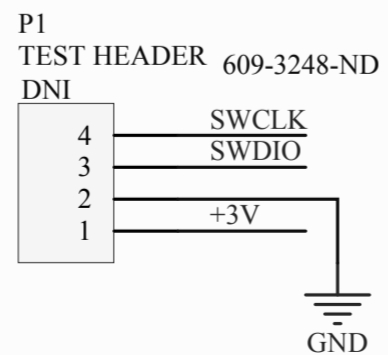
C

D

D



**DEBUG CONNECTOR**



**NOTE: SPEED0 moved to reduce likelihood of Spurious RF Emissions**

Title		
Home Depot Remote XXXXXXXX 3V CR2032		
Size	Number	Revision
Letter	<b>AyDeeKay LLC</b>	<b>Ver 0p3</b>
Date:	10/18/2012	Sheet of
File:	C:\Users\...\HD_3_Speed_V0p4.SchDoc	Drawn By: Ichiro Aoki